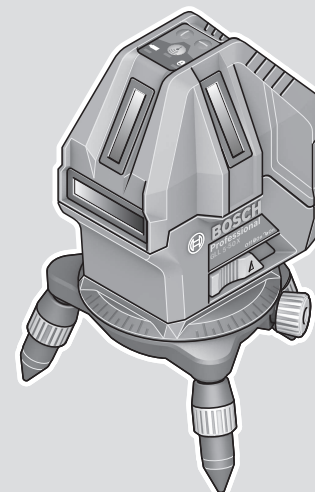




GLL 5-50 X Professional



Robert Bosch Power Tools GmbH
70538 Stuttgart
GERMANY

www.bosch-pt.com

1 609 92A 8LS (2023.04) T / 89

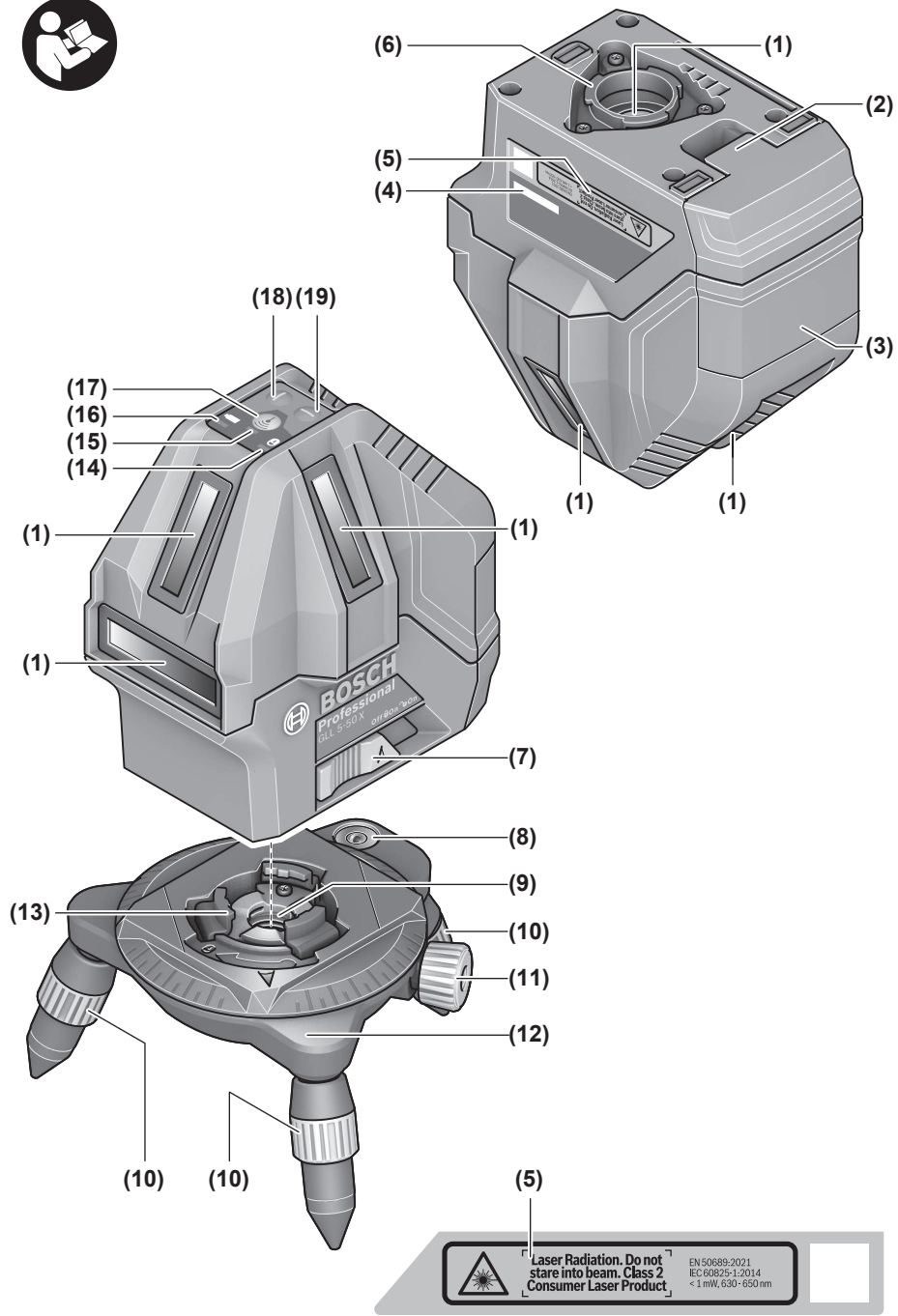


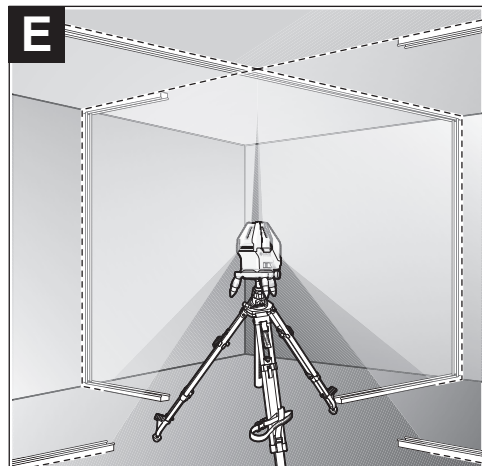
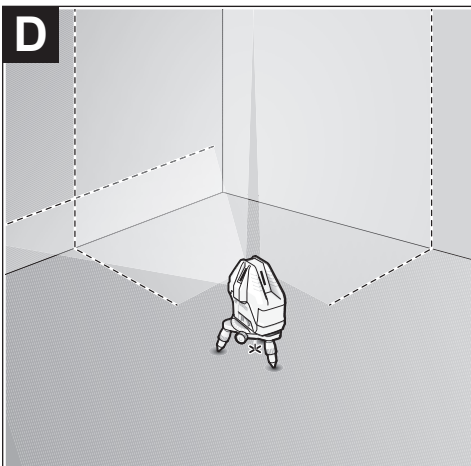
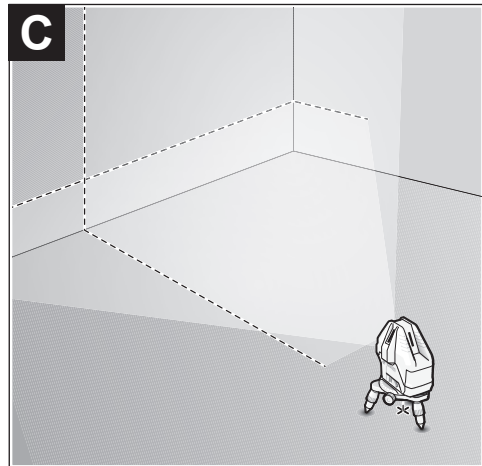
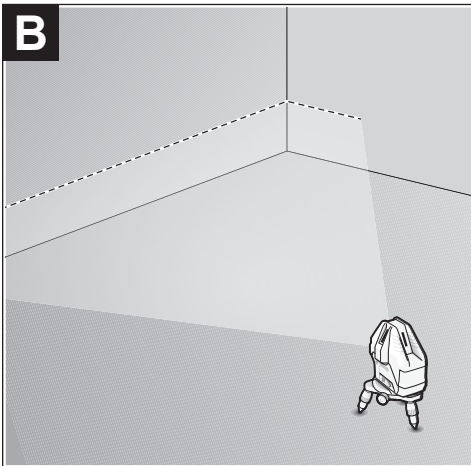
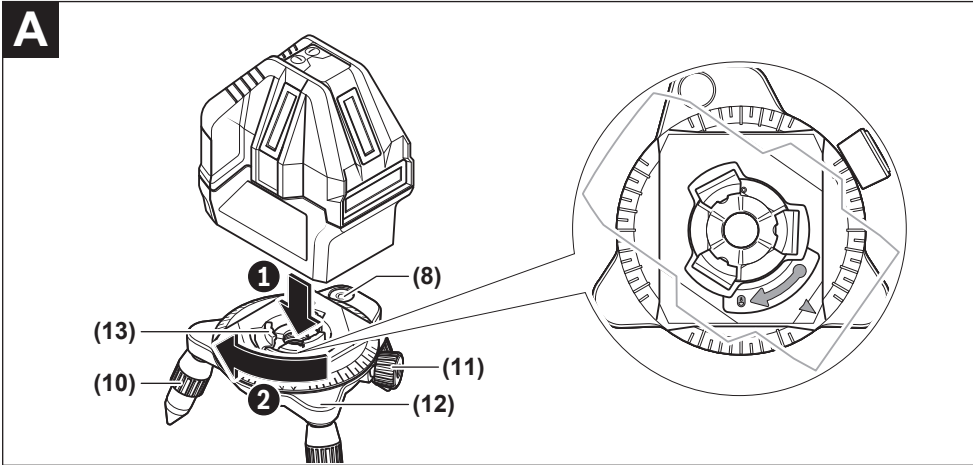
1 609 92A 8LS

- en** Original instructions
- fr** Notice originale
- es** Manual original
- pt** Manual original
- tr** Orijinal işletme talimatı
- ru** Оригинальное руководство по эксплуатации
- uk** Оригінальна інструкція з експлуатації
- kk** Пайдалану нұсқаулығының түпнұсқасы
- mk** Оригинално упатство за работа
- sr** Originalno uputstvo za rad
- ar** دليل التشغيل الأصلي
- fa** دفترچه راهنمای اصلی

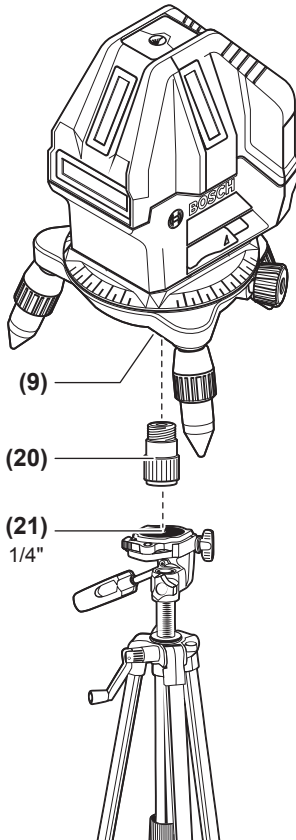


English	Page	6
Français	Page	12
Español	Página	19
Português	Página	26
Türkçe	Sayfa	33
Русский	Страница	40
Українська	Сторінка	48
Қазақ	Бет	55
Македонски	Страница	62
Srpski	Strana	69
عربي	الصفحة	76
فارسی	صفحه	83





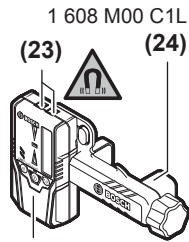
F



(9)

(20)

(21)
1/4"



(23)

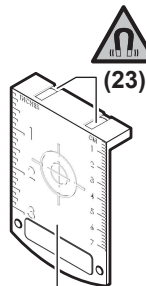
(22)

LR 6
0 601 069 H00



(25)

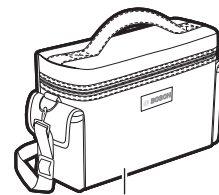
1 608 M00 05B



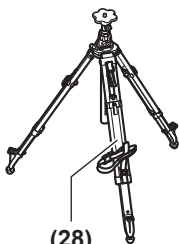
(23)

(26)

1 608 M00 05C



(27)



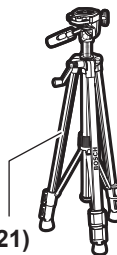
(28)

BT 300 HD
0 601 091 400



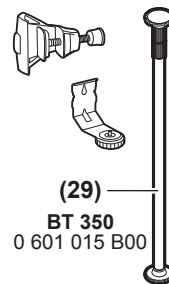
(20)

1 618 C01 42A



(21)

BT 150
0 601 096 B00



(29)

BT 350
0 601 015 B00

English

Safety Instructions



All instructions must be read and observed in order for the measuring tool to function safely. The safeguards integrated into the measuring tool may be compromised if the measuring tool is not used in accordance with these instructions. Never make warning signs on the measuring tool unrecognisable. **SAVE THESE INSTRUCTIONS FOR FUTURE REFERENCE AND INCLUDE THEM WITH THE MEASURING TOOL WHEN TRANSFERRING IT TO A THIRD PARTY.**

- ▶ **Warning! If operating or adjustment devices other than those specified here are used or other procedures are carried out, this can lead to dangerous exposure to radiation.**
- ▶ **The measuring tool is delivered with a laser warning sign (marked in the illustration of the measuring tool on the graphics page).**
- ▶ **If the text of the laser warning label is not in your national language, stick the provided warning label in your national language over it before operating for the first time.**



Do not direct the laser beam at persons or animals and do not stare into the direct or reflected laser beam yourself. You could blind somebody, cause accidents or damage your eyes.

- ▶ **If laser radiation hits your eye, you must close your eyes and immediately turn your head away from the beam.**
- ▶ **Do not make any modifications to the laser equipment.**
- ▶ **Do not use the laser goggles (accessory) as protective goggles.** The laser goggles make the laser beam easier to see; they do not protect you against laser radiation.
- ▶ **Do not use the laser goggles (accessory) as sunglasses or while driving.** The laser goggles do not provide full UV protection and impair your ability to see colours.
- ▶ **Have the measuring tool serviced only by a qualified specialist using only original replacement parts.** This will ensure that the safety of the measuring tool is maintained.
- ▶ **Do not let children use the laser measuring tool unsupervised.** They could unintentionally blind themselves or other persons.
- ▶ **Do not use the measuring tool in explosive atmospheres which contain flammable liquids, gases or dust.** Sparks may be produced inside the measuring tool, which can ignite dust or fumes.



Keep the measuring tool and the magnetic accessories away from implants and other medical devices, e.g. pacemakers or insulin pumps. The magnets inside the measuring tool and accessories generate a field that can impair the function of implants and medical devices.

- ▶ **Keep the measuring tool and the magnetic accessories away from magnetic data storage media and magnetically sensitive devices.** The effect of the magnets inside the measuring tool and accessories can lead to irreversible data loss.

Product Description and Specifications

Please observe the illustrations at the beginning of this operating manual.

Intended Use

The measuring tool is intended for determining and checking horizontal and vertical lines and plumb points.

The measuring tool is suitable for indoor use.

This product is a consumer laser product in accordance with EN 50689.

Product Features

The numbering of the product features shown refers to the illustration of the measuring tool on the graphic page.

- (1) Laser beam outlet aperture
- (2) Battery compartment cover locking mechanism
- (3) Battery compartment cover
- (4) Serial number
- (5) Laser warning label
- (6) Fastening grooves of measuring tool
- (7) On/off switch
- (8) Spirit level of rotating platform
- (9) 5/8" tripod mount of rotating platform
- (10) Height adjustment screw of the rotating platform
- (11) Fine adjustment screw of the rotating platform
- (12) Rotating platform
- (13) Fastening grooves of the rotating platform
- (14) Pendulum lock indicator
- (15) Receiver mode indicator
- (16) Status indicator
- (17) Receiver mode button
- (18) Vertical mode button
- (19) Horizontal mode button
- (20) Tripod adapter^{a)}
- (21) 1/4" tripod^{a)}
- (22) Laser receiver^{a)}
- (23) Magnet^{a)}

(24) Laser receiver holder^{a)}

(25) Laser goggles^{a)}

(26) Laser target plate^{a)}

(27) Protective bag

(28) 5/8" tripod^{a)}

(29) Telescopic rod^{a)}

- a) **Accessories shown or described are not included with the product as standard. You can find the complete selection of accessories in our accessories range.**

Technical Data

Line laser	GLL 5-50 X
Article number	3 601 K63 F..
Working range ^{A)}	
– Standard laser lines	15 m
– Laser lines with receiver mode	10 m
– Laser lines with laser receiver	5–50 m
– Plumb point	5 m
Levelling accuracy ^{B)} / ^{C)}	
– Horizontal laser line	±0.2 mm/m
– Vertical laser lines	±0.3 mm/m
– Plumb point	±0.7 mm/m
Self-levelling range	±3°
Levelling time	< 4 s
Operating temperature	–10 °C to +45 °C
Storage temperature	–20 °C to +70 °C
Max. altitude	2000 m
Relative air humidity max.	90 %
Pollution degree according to IEC 61010-1	2 ^{D)}
Laser class	2
Laser type	< 1 mW, 630–650 nm
C ₆	1
Divergence	
– Laser line	1.5 mrad
– Plumb point	1.5 mrad
Operating without receiver mode	Continuous wave (CW)
Shortest pulse duration (operating with receiver mode)	0.05 ms
Pulse frequency (operating with receiver mode)	10 kHz
Tripod mount ^{E)}	5/8"
Batteries	4 × 1.5 V LIR6 (AA)
Operating time approx. ^{B)}	
– With 1 laser line	24 h

Line laser	GLL 5-50 X
– With 2 laser lines	14 h
– With 3 laser lines	10 h
– With 5 laser lines	6 h
Weight according to EPTA-Procedure 01:2014	0.54 kg
Dimensions (length × width × height)	
– Without rotating platform	122 × 83 × 129 mm
– With rotating platform	Dia. 151 × 203 mm
Protection rating (excluding battery compartment)	IP54 (dust and splash-proof)

- A) The working range may be reduced by unfavourable environmental conditions (e.g. direct sunlight).
- B) At **20–25 °C**
- C) The values stated presuppose normal to favourable environmental conditions (e.g. no vibration, no fog, no smoke, no direct sunlight). Extreme fluctuations in temperature can cause deviations in accuracy.
- D) Only non-conductive deposits occur, whereby occasional temporary conductivity caused by condensation is expected.
- E) Only available in combination with the rotating platform
- The serial number **(4)** on the type plate is used to clearly identify your measuring tool.

Assembly

Inserting/changing the batteries

It is recommended that you use alkaline manganese batteries to operate the measuring tool.

To open the battery compartment cover **(3)**, press on the locking mechanism **(2)** and remove the battery compartment cover. Insert the batteries.

When inserting the batteries, ensure that the polarity is correct according to the illustration on the inside of the battery compartment.

If the status display **(16)** flashes, the batteries have to be replaced.

Always replace all the batteries at the same time. Only use batteries from the same manufacturer and which have the same capacity.

- **Take the batteries out of the measuring tool when you are not using it for a prolonged period of time.** The batteries can corrode and self-discharge during prolonged storage in the measuring tool.

Working with the Rotating Platform (see figure A)

You can use the rotating platform **(12)** to rotate the measuring tool 360° around a central, always visible plumb point. This enables you to set up the laser lines precisely, without having to change the position of the measuring tool.

Place the measuring tool on the rotating platform **(12)** so that the fastening grooves **(13)** of the rotating platform fit between the corresponding fastening grooves **(6)** on the

bottom of the measuring tool. Turn the measuring tool clockwise to lock it on the rotating platform.

Unscrew the legs of the rotating platform (12) with the height adjustment screws (10).

Roughly align the rotating platform using the spirit level (8).

If the measuring tool is mounted on the rotating platform (12), you can use the fine adjustment screw (11) to align vertical laser lines precisely with reference points.

Operation

Starting Operation

- ▶ **Protect the measuring tool from moisture and direct sunlight.**
- ▶ **Do not expose the measuring tool to any extreme temperatures or fluctuations in temperature.** For example, do not leave it in a car for extended periods of time. If it has been subjected to significant fluctuations in temperature, first allow the measuring tool to adjust to the ambient temperature and then always carry out an accuracy check before continuing work (see "Accuracy Check of the Measuring Tool", page 9).
The precision of the measuring tool may be compromised if exposed to extreme temperatures or fluctuations in temperature.
- ▶ **Avoid substantial knocks to the measuring tool and avoid dropping it.** Always carry out an accuracy check before continuing work if the measuring tool has been subjected to severe external influences (see "Accuracy Check of the Measuring Tool", page 9).
- ▶ **Switch the measuring tool off when transporting it.**
The pendulum unit is locked when the tool is switched off, as it can otherwise be damaged by big movements.

Switching On/Off

To **switch on** the measuring tool, slide the on/off switch (7) to the "On" position (for working with the pendulum lock) or to the "On" position (for working with automatic levelling). The status display (16) lights up. Immediately after switching on, the measuring tool sends a horizontal laser line out of the front outlet aperture (1).

- ▶ **Do not direct the laser beam at persons or animals and do not stare into the laser beam yourself (even from a distance).**

To **switch off** the measuring tool, slide the on/off switch (7) to the "Off" position. The status indicator (16) goes out. The pendulum unit is locked when the tool is switched off.

- ▶ **Never leave the measuring tool unattended when switched on, and ensure the measuring tool is switched off after use.** Others may be blinded by the laser beam.

If the maximum permitted operating temperature of 45 °C is exceeded, the tool shuts down to protect the laser diode. Once it has cooled down, the measuring tool is operational again and can be switched back on.

Deactivating the automatic shut-off function

The measuring tool automatically switches itself off after 30 min of operation.

To deactivate the automatic shut-off, hold down either the vertical mode button (18) or the horizontal mode button (19) for 3 seconds when switching on the measuring tool. The laser beams will flash briefly after 3 seconds if the automatic shut-off function is deactivated.

To activate the automatic shut-off function, switch the measuring tool off and on again (without holding down a button).

Operating Modes

The measuring tool has several operating modes, which you can switch between at any time. The horizontal and vertical modes can be switched on and off independently of each other. After switching on, the measuring tool is in horizontal mode.

All operating modes can be selected with both automatic levelling or the pendulum lock.

Horizontal mode (see figure B)

In horizontal mode, the measuring tool sends out a horizontal laser line pointing forwards.

To switch the horizontal laser line off or on, press the horizontal mode button (19).

Vertical mode and plumb point (see figures C-E)

The measuring tool has multiple vertical modes:

- Vertical laser line forwards
- Vertical laser line forwards and to the right-hand side
- Vertical laser line forwards and backwards
- Vertical laser lines to all four sides

A plumb point is additionally projected downwards in vertical mode.

To switch the vertical mode on/off or to change the vertical mode, press the vertical mode button (18) repeatedly until the required operating mode is reached.

Receiver Mode

Receiver mode must be activated when working with the laser receiver (22), regardless of which operating mode is selected.

In receiver mode, the laser lines flash at a very high frequency, enabling them to be detected by the laser receiver (22).

To switch on receiver mode, press the receiver mode button (17). The receiver mode indicator (15) lights up red. When receiver mode is switched on, the laser lines are less visible to the human eye. Therefore, switch receiver mode off by pressing the receiver mode button (17) again to work without a laser receiver. The receiver mode indicator (15) will go out.

Automatic Levelling

Working with automatic levelling

Position the measuring tool on a level, firm surface or attach it to the rotating platform (12).

For work with automatic levelling, slide the on/off switch (7) to the "On" position.

The automatic levelling function automatically compensates irregularities within the self-levelling range of $\pm 3^\circ$. The levelling is finished as soon as the laser lines stop moving.

If automatic levelling is not possible, e.g. because the surface on which the measuring tool stands deviates by more than 3° from the horizontal plane, the laser beams will flash quickly.

If this is the case, set up the measuring tool in a level position and wait for the self-levelling to take place. As soon as the measuring tool is within the self-levelling range of $\pm 3^\circ$, the laser beams will light up continuously.

In case of ground vibrations or position changes during operation, the measuring tool is automatically levelled again. Upon levelling, check the position of the laser beams with regard to the reference points to avoid errors arising from a change in the measuring tool's position.

Working with the pendulum lock

For work with the pendulum lock, slide the on/off switch (7) to the "On" position. The pendulum lock indicator (14) lights up red and the laser lines continuously flash slowly.

For work with the pendulum lock, automatic levelling is switched off. You can hold the measuring tool freely in your hand or place it on a sloping surface. This means that the laser beams are no longer levelled and no longer necessarily run perpendicular to one another.

Accuracy Check of the Measuring Tool

Influences on Accuracy

The largest influence is exerted by the ambient temperature. In particular, temperature differences that occur from the ground upwards can refract the laser beam.

In order to minimise thermal influences resulting from heat rising from the floor, it is recommended that you use the measuring tool on a tripod. In addition, position the measuring tool in the centre of the work surface, wherever this is possible.

In addition to external influences, device-specific influences (e.g. falls or heavy impacts) can also lead to deviations. For this reason, check the levelling accuracy each time before beginning work.

First check the height accuracy and levelling accuracy of the horizontal laser line, then the levelling accuracy of the vertical laser line.

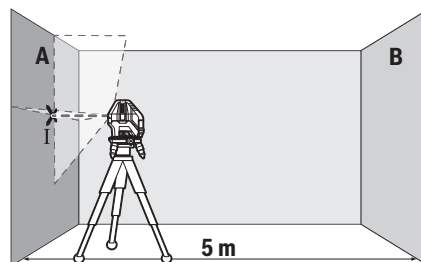
Should the measuring tool exceed the maximum deviation during one of the tests, please have it repaired by a **Bosch** after-sales service.

Checking the Height Accuracy of the Horizontal Line

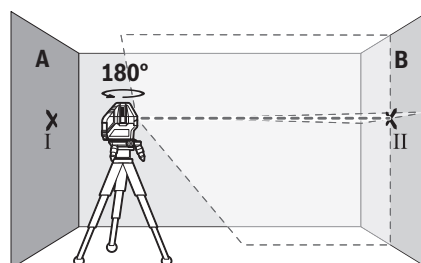
For this check, you will need a free measuring distance of 5 m on firm ground between two walls (designated A and B).

- Mount the measuring tool close to wall A on the rotating platform (12) or a tripod (28), or place it on a firm, flat surface. Switch on the measuring tool in the mode with

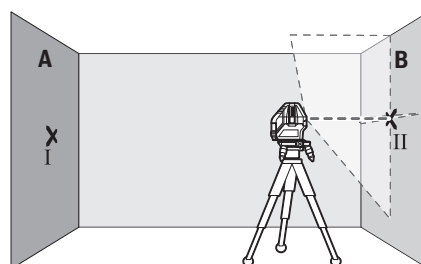
automatic levelling. Switch on horizontal mode and vertical mode with a laser line forwards.



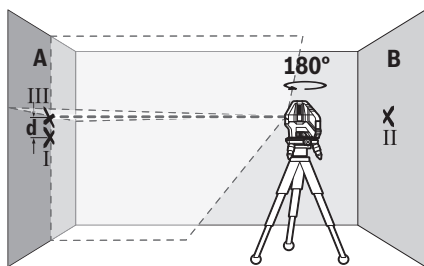
- Aim the laser at the closer wall A and allow the measuring tool to level in. Mark the middle of the point at which the laser lines cross on the wall (point I).



- Turn the measuring tool 180° , allow it to level in and mark the point where the laser lines cross on the opposite wall B (point II).
- Position the measuring tool – without rotating it – close to wall B, switch it on and allow it to level in.



- Align the height of the measuring tool (using the tripod or by placing objects underneath as required) so that the point where the laser lines cross exactly hits the previously marked point II on wall B.



- Turn the measuring tool 180° without adjusting the height. Aim it at wall A such that the vertical laser line runs through the already marked point I. Allow the measuring tool to level in and mark the point where the laser lines cross on wall A (point III).
- The discrepancy **d** between the two marked points I and III on wall A reveals the actual height deviation of the measuring tool.

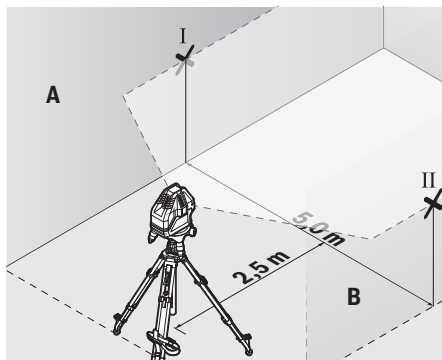
The maximum permitted deviation on the measuring distance of $2 \times 5 \text{ m} = 10 \text{ m}$ is as follows:

$10 \text{ m} \times \pm 0.2 \text{ mm/m} = \pm 2 \text{ mm}$. The discrepancy **d** between points I and III must therefore amount to no more than 2 mm.

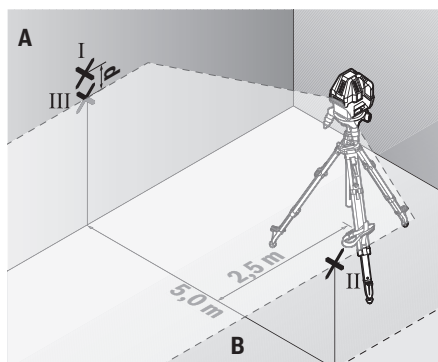
Checking the Level Accuracy of the Horizontal Line

For this check, you will need a free area of $5 \times 5 \text{ m}$.

- Mount the measuring tool in the middle between walls A and B on the rotating platform (**12**) or a tripod (**28**), or place it on a firm, flat surface. Switch on the measuring tool in the mode with automatic levelling. Switch on horizontal mode and allow the measuring tool to level in.



- At a distance of 2.5 m from the measuring tool, mark the centre of the laser line on both walls (point I on wall A and point II on wall B).



- Set up the measuring tool at a 5 m distance and rotated by 180° and allow it to level in.
- Align the height of the measuring tool (using the tripod or by placing objects underneath as required) so that the centre of the laser line exactly hits the previously marked point II on wall B.
- Mark the centre of the laser line on wall A as point III (vertically above or below point I).
- The discrepancy **d** between the two marked points I and III on wall A reveals the actual horizontal deviation of the measuring tool.

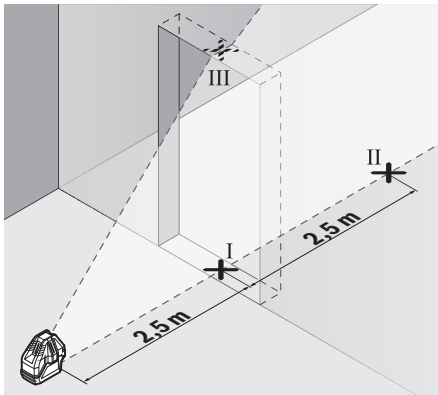
The maximum permitted deviation on the measuring distance of $2 \times 5 \text{ m} = 10 \text{ m}$ is as follows:

$10 \text{ m} \times \pm 0.2 \text{ mm/m} = \pm 2 \text{ mm}$. The discrepancy **d** between points I and III must therefore amount to no more than 2 mm.

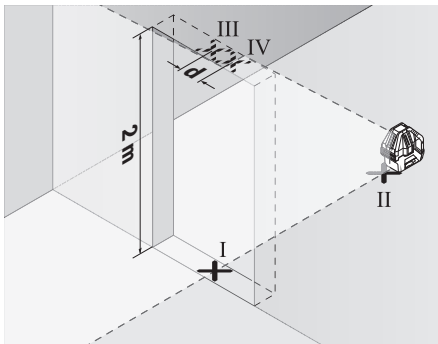
Checking the Level Accuracy of the Vertical Line

For this check, you will need a door opening (on solid ground) which has at least 2.5 m of space either side of the door.

- Place the measuring tool 2.5 m away from the door opening on a firm, flat surface (not on the rotating platform (**12**) or a tripod). Switch on the measuring tool in the mode with automatic levelling. Switch on vertical mode with a vertical laser line forwards and aim the vertical laser line at the door opening. Allow the measuring tool to level in.



- Mark the centre of the vertical laser line on the floor of the door opening (point I), 5 m away on the other side of the door opening (point II) and on the upper edge of the door opening (point III).



- Rotate the measuring tool 180° and position it on the other side of the door opening, directly behind point II. Allow the measuring tool to level in and align the vertical laser line in such a way that its centre passes through points I and II exactly.
- Mark the centre of the laser line on the upper edge of the door opening as point IV.
- The discrepancy d between the two marked points III and IV reveals the actual vertical deviation of the measuring tool.
- Measure the height of the door opening.

You can calculate the maximum permitted deviation as follows:

Doubled height of the door opening $\times 0.3$ mm/m

Example: At a door opening height of 2 m, the maximum deviation amounts to

$2 \times 2 \text{ m} \times \pm 0.3 \text{ mm/m} = \pm 1.2 \text{ mm}$. The points III and IV must therefore be no further than 1.2 mm from each other.

Working Advice

- ▶ **Only the centre of the laser point or laser line must be used for marking.** The size of the laser point/the width of the laser line changes depending on the distance.

Working with the Laser Target Plate

The laser target plate (26) improves visibility of the laser beam in unfavourable conditions and at greater distances.

The reflective surface of the laser target plate (26) improves visibility of the laser line. The transparent surface enables the laser line to be seen from behind the laser target plate.

Working with the Tripod (Accessory) (see figure F)

A tripod offers a stable, height-adjustable support surface for measuring. Place the measuring tool on the rotating platform (12) to assemble the measuring tool on a tripod.

Assembly on a 5/8" tripod: Place the rotating platform with the 5/8" tripod mount (9) on the thread of a commercially available 5/8" tripod (28) or a commercially available building tripod. Tighten the rotating platform using the locking screw of the tripod.

Assembly on a 1/4" tripod (see figure F): Screw the tripod adapter (20) (accessory) into the 5/8" tripod mount (9) of the rotating platform. Place the tripod adapter with the 1/4" tripod mount on the thread of a 1/4" tripod (21) or a commercially available camera tripod. Tighten the tripod adapter using the locking screw of the tripod.

Roughly align the tripod before switching on the measuring tool.

Working with the laser receiver (accessory)

Use the laser receiver (22) to improve detection of the laser lines in adverse lighting conditions (bright environment, direct sunlight) and over greater distances. When working with the laser receiver, switch on receiver mode (see "Receiver Mode", page 8).

Laser Goggles (Accessory)

The laser goggles filter out ambient light. This makes the light of the laser appear brighter to the eye.

- ▶ **Do not use the laser goggles (accessory) as protective goggles.** The laser goggles make the laser beam easier to see; they do not protect you against laser radiation.
- ▶ **Do not use the laser goggles (accessory) as sunglasses or while driving.** The laser goggles do not provide full UV protection and impair your ability to see colours.

Example applications (see figures B–E)

Examples of possible applications for the measuring tool can be found on the graphics pages.

Maintenance and Service

Maintenance and Cleaning

Keep the measuring tool clean at all times.

Never immerse the measuring tool in water or other liquids.

Wipe off any dirt using a damp, soft cloth. Do not use any detergents or solvents.

The areas around the outlet aperture of the laser in particular should be cleaned on a regular basis. Make sure to check for lint when doing this.

Only store and transport the measuring tool in the protective pouch (27).

If the measuring tool needs to be repaired, send it off in the protective pouch (27).

After-Sales Service and Application Service

Our after-sales service responds to your questions concerning maintenance and repair of your product as well as spare parts. You can find explosion drawings and information on spare parts at: www.bosch-pt.com

The Bosch product use advice team will be happy to help you with any questions about our products and their accessories.

In all correspondence and spare parts orders, please always include the 10-digit article number given on the nameplate of the product.

Great Britain

Robert Bosch Ltd. (B.S.C.)

P.O. Box 98

Broadwater Park

North Orbital Road

Denham Uxbridge

UB 9 5HJ

At www.bosch-pt.co.uk you can order spare parts or arrange the collection of a product in need of servicing or repair.

Tel. Service: (0344) 7360109

E-Mail: boschservicecentre@bosch.com

You can find further service addresses at:

www.bosch-pt.com/serviceaddresses

Disposal

Measuring tools, accessories and packaging should be recycled in an environmentally friendly manner.



Do not dispose of measuring tools or batteries with household waste.

Only for EU countries:

According to the Directive 2012/19/EU on waste electrical and electronic equipment and its transposition into national law, measuring tools that are no longer usable, and, according to the Directive 2006/66/EC, defective or drained batteries must be collected separately and disposed of in an environmentally correct manner.

If disposed incorrectly, waste electrical and electronic equipment may have harmful effects on the environment and human health, due to the potential presence of hazardous substances.

Only for United Kingdom:

According to The Waste Electrical and Electronic Equipment Regulations 2013 (SI 2013/3113) (as amended) and the Waste Batteries and Accumulators Regulations 2009 (SI 2009/890) (as amended), products that are no longer usable must be collected separately and disposed of in an environmentally friendly manner.

Français

Consignes de sécurité



Pour une utilisation sans danger et en toute sécurité de l'appareil de mesure, lisez attentivement toutes les instructions et tenez-en compte. En cas de non-respect des présentes instructions, les fonctions de protection de l'appareil de mesure risquent d'être altérées. Faites en sorte que les étiquettes d'avertissement se trouvant sur l'appareil de mesure restent toujours lisibles. CONSERVEZ CES INSTRUCTIONS DANS UN LIEU SÛR ET REMETTEZ-LES À TOUT NOUVEL UTILISATEUR DE L'APPAREIL DE MESURE.

- ▶ **Attention – L'utilisation d'autres dispositifs de commande ou d'ajustage que ceux indiqués ici ou l'exécution d'autres procédures risque de provoquer une exposition dangereuse aux rayonnements.**
- ▶ **L'appareil de mesure est fourni avec une étiquette d'avertissement laser (repérée dans la représentation de l'appareil de mesure sur la page des graphiques).**
- ▶ **Si le texte de l'étiquette d'avertissement laser n'est pas dans votre langue, recouvrez l'étiquette par l'autocollant dans votre langue qui est fourni, avant de procéder à la première mise en service.**



Ne dirigez jamais le faisceau laser vers des personnes ou des animaux et ne regardez jamais dans le faisceau laser projeté par l'appareil ou réfléchi. Vous risqueriez d'éblouir des personnes, de provoquer des accidents ou de causer des lésions oculaires.

- ▶ **Au cas où le faisceau laser frappe un œil, fermez immédiatement les yeux et déplacez la tête pour l'éloigner du faisceau. N'apportez jamais de modifications au dispositif laser.**
- ▶ **N'apportez aucune modification au dispositif laser.**
- ▶ **N'utilisez pas les lunettes de vision laser (accessoire non fourni) comme des lunettes de protection.** Les lunettes de vision laser aident seulement à mieux voir le faisceau laser ; elles ne protègent pas contre les effets des rayonnements laser.
- ▶ **N'utilisez pas les lunettes de vision laser (accessoire non fourni) comme des lunettes de soleil ou pour la circulation routière.** Les lunettes de vision laser

n'offrent pas de protection UV complète et elles faussent la perception des couleurs.

- **Ne confiez la réparation de l'appareil de mesure qu'à un réparateur qualifié utilisant uniquement des pièces de rechange d'origine.** La sécurité de l'appareil de mesure sera ainsi préservée.
- **Ne laissez pas les enfants utiliser l'appareil de mesure laser sans surveillance.** Ils risqueraient de diriger le faisceau vers leurs propres yeux ou d'éblouir d'autres personnes par inadvertance.
- **Ne faites pas fonctionner l'appareil de mesure en atmosphère explosive, en présence de liquides, gaz ou poussières inflammables.** L'appareil de mesure peut produire des étincelles susceptibles d'enflammer les poussières ou les vapeurs.



N'approchez pas l'appareil de mesure et les accessoires magnétiques de personnes porteuses d'implants chirurgicaux ou d'autres dispositifs médicaux (stimulateurs cardiaques, pompe à insuline, etc.). Les aimants de l'appareil de mesure et des accessoires génèrent un champ magnétique susceptible d'altérer le fonctionnement des implants chirurgicaux et dispositifs médicaux.

- **N'approchez pas l'appareil de mesure et les accessoires magnétiques de supports de données magnétiques ou d'appareils sensibles aux champs magnétiques.** Les aimants de l'appareil de mesure et des accessoires peuvent provoquer des pertes de données irréversibles.

Description des prestations et du produit

Référez-vous aux illustrations qui se trouvent au début de la notice d'utilisation.

Utilisation conforme

L'appareil de mesure est conçu pour projeter et vérifier des lignes horizontales et verticales ainsi que des points d'aplomb.

L'appareil de mesure est approprié pour une utilisation en intérieur.

Ce produit est un appareil à laser grand public selon EN 50689.

Éléments constitutifs

La numérotation des éléments de l'appareil se réfère à la représentation de l'appareil de mesure sur la page graphique.

- (1) Orifice de sortie du faisceau laser
- (2) Verrouillage du couvercle du compartiment à piles
- (3) Couvercle du compartiment à piles
- (4) Numéro de série
- (5) Étiquette d'avertissement laser

- (6) Rainures de fixation de l'appareil de mesure
- (7) Interrupteur Marche/Arrêt
- (8) Nivelle sphérique de la plateforme pivotante
- (9) Raccord de trépied 5/8" de la plateforme pivotante
- (10) Vis de réglage en hauteur de la plateforme pivotante
- (11) Vis de réglage micrométrique de la plateforme pivotante
- (12) Plateforme pivotante
- (13) Rainures de fixation de la plateforme pivotante
- (14) Témoin Unité pendulaire bloquée
- (15) Témoin Mode cellule de réception
- (16) LED d'état
- (17) Touche Mode cellule de réception
- (18) Touche mode vertical
- (19) Touche mode horizontal
- (20) Adaptateur de trépied^{a)}
- (21) Trépied 1/4^{na)}
- (22) Cellule de réception laser^{a)}
- (23) Aimant^{a)}
- (24) Support de cellule de réception^{a)}
- (25) Lunettes de vision laser^{a)}
- (26) Cible laser^{a)}
- (27) Housse de protection
- (28) Trépied 5/8^{na)}
- (29) Tige télescopique^{a)}

a) Les accessoires décrits ou illustrés ne sont pas tous compris dans la fourniture. Vous trouverez l'ensemble des accessoires dans notre gamme d'accessoires.

Caractéristiques techniques

Laser lignes	GLL 5-50 X
Référence	3 601 K63 F..
Portée ^{A)}	
- Lignes laser standard	15 m
- Lignes laser en mode cellule de réception	10 m
- Lignes laser avec cellule de réception	5-50 m
- Point d'aplomb	5 m
Précision de nivellement ^{B)C)}	
- ligne laser horizontale	±0,2 mm/m
- lignes laser verticales	±0,3 mm/m
- Point d'aplomb	±0,7 mm/m
Plage d'auto-nivellement	±3°
Durée de nivellement	< 4 s
Températures de fonctionnement	-10 °C ... +45 °C
Températures de stockage	-20 °C ... +70 °C

Laser lignes	GLL 5-50 X
Altitude d'utilisation maxi	2 000 m
Humidité d'air relative maxi	90 %
Degré d'encrassement selon CEI 61010-1	2 ^{D)}
Classe laser	2
Type de laser	< 1 mW, 630–650 nm
C ₆	1
Divergence	
– Ligne laser	1,5 mrad
– Point d'aplomb	1,5 mrad
Fonctionnement sans le mode cellule de réception	Onde continue (Continuous Wave)
Durée d'impulsion la plus courte (fonctionnement en mode cellule de réception)	0,05 ms
Fréquence des impulsions (fonctionnement en mode cellule de réception)	10 kHz
Raccord de trépied ^{E)}	5/8"
Piles	4 × 1,5 V LR6 (AA)
Autonomie approx. ^{B)}	
– Avec 1 ligne laser	24 h
– Avec 2 lignes laser	14 h
– Avec 3 lignes laser	10 h
– Avec 5 lignes laser	6 h
Poids selon EPTA-Proce-dure 01:2014	0,54 kg
Dimensions (longueur x largeur x hauteur)	
– Sans plateforme pivotante	122 × 83 × 129 mm
– Avec plateforme pivotante	Ø 151 × 203 mm
Indice de protection (à l'exception du compartiment à piles)	IP54 (protection contre la poussière et les projections d'eau)

A) La portée peut être réduite par des conditions défavorables (par ex. exposition directe au soleil).

B) à 20–25 °C

C) Les valeurs indiquées s'appliquent dans des conditions ambiantes normales à favorables (par ex. pas de vibrations, pas de brouillard, pas de fumée, pas d'ensoleillement direct). Après de fortes variations de températures, la précision peut différer de la valeur indiquée.

D) N'est conçu que pour les salissures/saletés non conductrices mais supporte occasionnellement la conductivité due aux phénomènes de condensation.

E) seulement disponible en combinaison avec la plateforme pivotante

Pour une identification précise de votre appareil de réception, servez-vous du numéro de série (4) inscrit sur la plaque signalétique.

Montage

Mise en place/remplacement des piles

Il est recommandé d'utiliser des piles alcalines au manganèse.

Pour ouvrir le couvercle du compartiment à piles (3), appuyez sur le verrouillage (2) et retirez le couvercle du compartiment à piles. Insérez les piles.

Respectez ce faisant la polarité indiquée sur le graphique qui se trouve à l'intérieur du compartiment à piles.

Quand la LED d'état (16) se met à clignoter, il faut remplacer les piles.

Remplacez toujours toutes les piles en même temps. N'utilisez que des piles de la même marque et de même capacité.

► **Sortez les piles de l'appareil de mesure si vous savez qu'il ne sera pas utilisé pendant une période prolongée.** Les piles risquent de se corroder et de se décharger quand l'appareil de mesure n'est pas utilisé pendant une longue durée.

Utilisation de la plateforme pivotante (voir figure A)

La plateforme pivotante (12) permet de tourner l'appareil de mesure de 360° autour d'un point d'aplomb central toujours visible. Cela permet d'ajuster la position des lignes laser de manière précise sans avoir à modifier la position de l'appareil de mesure.

Positionnez l'appareil de mesure sur la plateforme pivotante (12) de façon à ce que les rainures de fixation (13) de la plateforme pivotante viennent se loger entre les rainures de fixation (6) placées sous l'appareil de mesure. Tournez l'appareil de mesure dans le sens horaire jusqu'à ce qu'il se verrouille sur la plateforme pivotante. Dévissez les pieds de la plateforme pivotante (12) à l'aide des vis de réglage de hauteur (10).

Mettez grossièrement la plateforme pivotante à niveau avec la nivelle sphérique (8).

Quand l'appareil de mesure est monté sur la plateforme pivotante (12), vous pouvez positionner avec précision les lignes laser verticales sur les points de référence avec la vis de réglage micrométrique (11).

Utilisation

Mise en marche

► **Protégez l'appareil de mesure contre l'humidité, ne l'exposez pas directement aux rayons du soleil.**

► **N'exposez pas l'appareil de mesure à des températures extrêmes ou de brusques variations de température.** Ne le laissez pas trop longtemps dans une voiture exposée au soleil, par exemple. Lorsque l'appareil de mesure a été soumis à de fortes variations de température, attendez qu'il revienne à la température ambiante et contrôlez toujours sa précision avant de continuer à travailler (voir « Contrôle de précision de l'appareil de me-

sure », Page 16).

Des températures extrêmes ou de brusques changements de température peuvent réduire la précision de l'appareil de mesure.

- ▶ **Évitez les chocs violents et évitez de faire tomber l'appareil de mesure.** Lorsque l'appareil de mesure a été soumis à de fortes sollicitations extérieures, effectuez toujours un contrôle de précision avant de continuer à travailler (voir « Contrôle de précision de l'appareil de mesure », Page 16).
- ▶ **Éteignez l'appareil de mesure quand vous le transportez.** A l'arrêt de l'appareil, l'unité pendulaire se verrouille afin de prévenir tout endommagement consécutif à des mouvements violents.

Mise en marche/arrêt

Pour **mettre en marche** l'appareil de mesure, placez l'interrupteur Marche/Arrêt (7) dans la position « **On** » (pour utilisation avec l'unité pendulaire bloquée) ou dans la position « **On** » (pour utilisation avec nivellement automatique). La LED d'état (16) s'allume. Immédiatement après avoir été mis en marche, l'appareil de mesure projette une ligne laser horizontale au niveau de l'orifice de sortie avant (1).

- ▶ **Ne dirigez pas le faisceau laser vers des personnes ou des animaux et ne regardez jamais dans le faisceau laser, même si vous êtes à grande distance de ce dernier.**

Pour **arrêter** l'appareil de mesure, placez l'interrupteur Marche/Arrêt (7) dans la position « **Off** ». La LED d'état (16) s'éteint. Lorsque l'appareil est éteint, l'unité pendulaire se bloque.

- ▶ **Ne laissez pas l'appareil de mesure sans surveillance quand il est allumé et éteignez-le après l'utilisation.** D'autres personnes pourraient être éblouies par le faisceau laser.

Lorsque la température de service maximale admissible de 45 °C est dépassée, l'appareil s'éteint automatiquement afin de protéger la diode laser. Une fois qu'il a refroidi, l'appareil de mesure est de nouveau opérationnel, il peut être remis en marche.

Désactivation de la fonction d'arrêt automatique

L'appareil de mesure s'éteint automatiquement après une durée de fonctionnement de 30 min.

Pour désactiver la fonction d'arrêt automatique, maintenez la touche mode vertical (18) ou la touche mode horizontal (19) actionnée pendant 3 s à la mise en marche de l'appareil de mesure. La désactivation de la fonction d'arrêt automatique est signalée par le clignotement bref des lignes laser après 3 s.

Pour activer la fonction d'arrêt automatique, éteignez puis rallumez l'appareil de mesure (sans appuyer sur aucune touche).

Modes de fonctionnement

L'appareil de mesure dispose de plusieurs modes de fonctionnement entre lesquels il est possible de commuter à tout moment. Le mode horizontal et le mode vertical sont acti-

vables et désactivables séparément. Après sa mise en marche, l'appareil de mesure se trouve dans le mode horizontal.

Tous les modes de fonctionnement peuvent être sélectionnés aussi bien en cas d'utilisation avec nivellement automatique ou avec système pendulaire bloqué.

Mode horizontal (voir figure B)

Dans le mode horizontal, l'appareil de mesure projette une ligne horizontale vers l'avant.

Pour activer ou désactiver la ligne laser horizontale, actionnez la touche mode horizontal (19).

Mode vertical et point d'aplomb (voir figures C-E)

L'appareil de mesure dispose de plusieurs modes verticaux :

- Ligne laser verticale vers l'avant,
- Ligne laser verticale vers l'avant et vers la droite,
- Ligne laser verticale vers l'avant et vers l'arrière,
- Ligne laser verticale vers les quatre côtés.

Dans les deux modes verticaux, un point d'aplomb est toujours projeté vers le bas.

Pour activer ou désactiver les modes verticaux ou changer de mode vertical, actionnez de façon répétée la touche Mode vertical (18) jusqu'à atteindre le mode vertical souhaité.

Mode Cellule de réception

Pour travailler avec la cellule de réception (22), il faut – quel que soit le mode de fonctionnement sélectionné – activer le mode Cellule de réception.

Dans le mode Cellule de réception, les lignes laser clignotent à très haute fréquence pour pouvoir être détectées par la cellule de réception (22).

Pour activer le mode Cellule de réception, actionnez la touche (17). Le témoin Mode cellule de réception (15) s'allume en rouge.

Dans le mode Cellule de réception, les lignes laser sont moins visibles à l'œil nu. Pour travailler sans cellule de réception, désactivez pour cette raison le mode Cellule de réception en actionnant à nouveau la touche (17). Le témoin (15) s'éteint.

Nivellement automatique

Utilisation avec nivellement automatique

Placez l'appareil de mesure sur une surface horizontale stable ou bien fixez-le sur la plateforme pivotante (12).

Pour travailler avec nivellement automatique, placez l'interrupteur Marche/Arrêt (7) dans la position « **On** ».

Le nivellement automatique compense automatiquement l'inclinaison de l'appareil à l'intérieur de la plage d'auto-nivellement de ±3°. Le nivellement automatique est terminé dès que les lignes laser ne bougent plus.

Quand un nivellement automatique n'est pas possible, par ex. du fait que la surface sur laquelle est posé l'appareil de mesure est inclinée de plus de 3° par rapport à l'horizontale, les lignes laser se mettent à clignoter à une fréquence rapide.

En pareil cas, placez l'appareil de mesure plus à l'horizontale et attendez que le nivellement automatique se fasse. Dès que l'appareil de mesure se trouve à l'intérieur de la plage d'auto-nivellement de $\pm 3^\circ$, les lignes laser cessent de clignoter et restent allumées en permanence.

S'il subit des secousses ou change de position pendant son utilisation, l'appareil de mesure se remet à niveau automatiquement. Après le nivellement, vérifiez la position des faisceaux laser par rapport aux points de référence afin d'éviter les erreurs dues à un déplacement de l'appareil de mesure.

Utilisation de l'appareil de mesure avec le système pendulaire bloqué

Pour travailler avec le nivellement automatique, placez l'interrupteur Marche/Arrêt (7) dans la position « On ». Le témoin Système pendulaire bloqué (14) s'allume en rouge et les lignes laser clignotent en permanence à une fréquence lente.

Lors d'une utilisation de l'appareil avec l'unité pendulaire bloquée, le nivellement automatique est désactivé. Vous pouvez tenir l'appareil de mesure dans une main ou bien le poser sur une surface inclinée. L'inclinaison des lignes laser n'est plus corrigée et elles ne sont donc plus forcément perpendiculaires l'une par rapport à l'autre.

Contrôle de précision de l'appareil de mesure

Facteurs influant sur la précision

C'est la température ambiante qui exerce la plus grande influence. Ce sont notamment les écarts de température entre le sol et la hauteur de travail qui peuvent faire dévier le faisceau laser.

Pour minimiser les effets thermiques de la chaleur venant du sol, il est recommandé d'utiliser l'appareil de mesure sur un trépied. Si possible, installez en plus l'appareil de mesure au centre de la zone de travail.

Étant donné que les résultats de mesure peuvent être altérés à la fois par des facteurs extérieurs (températures extrêmes, fortes variations de température, etc.) et par des facteurs mécaniques (par ex. chutes ou chocs violents), il est important de vérifier la précision de nivellement avant chaque travail.

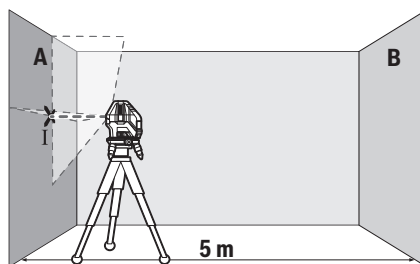
Contrôlez d'abord la précision de hauteur et la précision de nivellement de la ligne laser horizontale puis la précision de nivellement de la ligne laser verticale.

Si l'appareil de mesure dépasse l'écart de précision admissible lors de l'un des contrôles, faites-le réparer dans un centre de service après-vente **Bosch**.

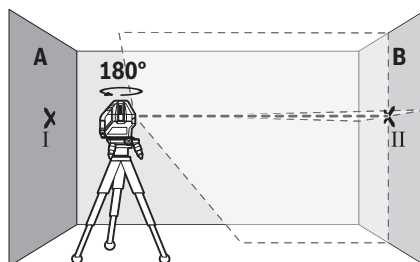
Contrôle de la précision de hauteur de la ligne horizontale

Pour ce contrôle, il est nécessaire de pouvoir effectuer une mesure sur une distance de 5 m entre deux murs A et B.

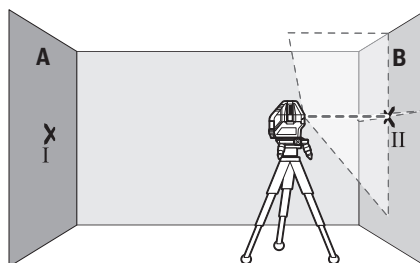
- Placez l'appareil de mesure près du mur A, sur la plateforme (12), sur un trépied (28) ou sur une surface stable et plane. Mettez en marche l'appareil de mesure dans le mode avec nivellement automatique. Activez le mode horizontal et le mode vertical avec ligne laser verticale vers l'avant.



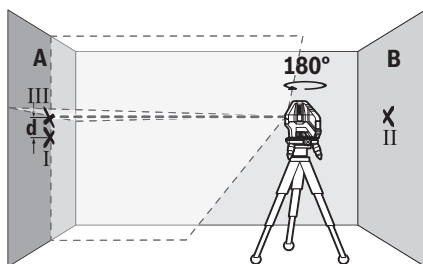
- Dirigez le laser vers le mur le plus proche A et attendez que l'appareil de mesure se mette à niveau. Marquez sur le mur le point de croisement des lignes laser (point I).



- Tournez l'appareil de mesure de 180° , attendez que l'appareil de mesure se mette à niveau et marquez le point de croisement des lignes laser sur le mur B d'en face (point II).
- Placez l'appareil de mesure – sans le tourner – près du mur B, mettez-le en marche et attendez qu'il se mette à niveau.



- Ajustez la hauteur de l'appareil de mesure (à l'aide du trépied ou, le cas échéant, avec des cales) de sorte que le point de croisement des lignes laser coïncide sur le mur B avec le point II marqué précédemment.



- Tournez l'appareil de mesure de 180° sans modifier la hauteur. Orientez-le vers le mur A de sorte que la ligne laser verticale passe par le point I marqué précédemment. Attendez que l'appareil de mesure se mette à niveau et marquez le point de croisement des lignes laser sur le mur A (point III).
- L'écart **d** entre les deux points I et III sur le mur A indique l'écart de hauteur réel de l'appareil de mesure.

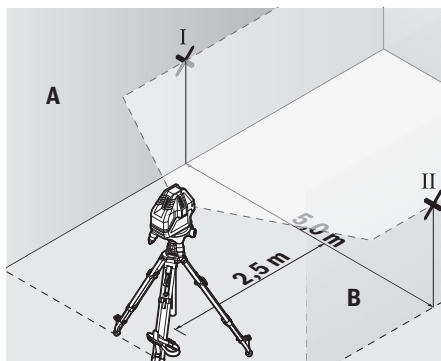
Pour une distance de mesure de $2 \times 5 \text{ m} = 10 \text{ m}$, l'écart maximal admissible est de :

$10 \text{ m} \times \pm 0,2 \text{ mm/m} = \pm 2 \text{ mm}$. L'écart **d** entre les points I et III ne doit par conséquent pas excéder 2 mm.

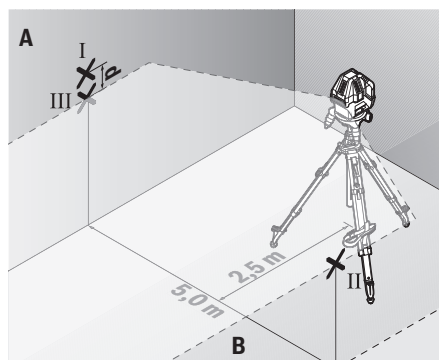
Contrôle de la précision de nivellement de la ligne horizontale

Pour ce contrôle, vous avez besoin d'une distance dégagée d'env. $5 \times 5 \text{ m}$.

- Placez l'appareil de mesure à égale distance des murs A et B sur la plateforme pivotante (12), sur un trépied (28) ou sur une surface stable et plane. Mettez en marche l'appareil de mesure dans le mode avec nivellement automatique. Activez le mode horizontal et laissez l'appareil de mesure se mettre à niveau.



- À une distance de 2,5 m de l'appareil de mesure, marquez sur les deux murs le milieu de la ligne laser (point I sur le mur A et point II sur le mur B).



- Placez l'appareil de mesure tourné de 180° à une distance de 5 m et laissez-le se mettre à nouveau.
- Ajustez la hauteur de l'appareil de mesure (à l'aide du trépied ou, le cas échéant, avec des cales appropriées) de sorte que le milieu de la ligne laser passe par le point II tracé auparavant sur le mur B.
- Marquez le milieu de la ligne laser sur le mur A (= point III, disposé verticalement juste au-dessus ou au-dessous du point I).
- L'écart **d** entre les deux points I et III sur le mur A indique l'écart de l'appareil de mesure par rapport à l'horizontale.

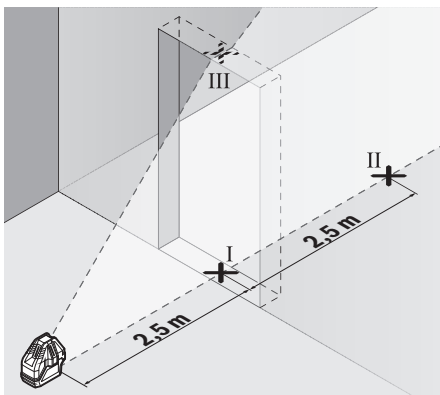
Pour une distance de mesure de $2 \times 5 \text{ m} = 10 \text{ m}$, l'écart maximal admissible est de :

$10 \text{ m} \times \pm 0,2 \text{ mm/m} = \pm 2 \text{ mm}$. L'écart **d** entre les points I et III ne doit par conséquent pas excéder 2 mm.

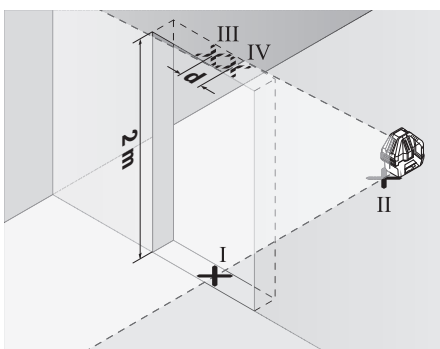
Contrôle de la précision de nivellement de la ligne verticale

Pour ce contrôle, vous avez besoin d'une embrasure de porte avec au moins 2,5 m de chaque côté de la porte (sur un sol stable).

- Posez l'appareil de mesure sur une surface stable et plane (pas sur la plateforme pivotante (12) ou sur un trépied) à 2,5 m de distance de l'embrasure de porte. Mettez en marche l'appareil de mesure dans le mode avec nivellement automatique. Activez le mode vertical avec ligne laser verticale vers l'avant et dirigez la ligne laser vers l'embrasure de porte. Laissez l'appareil de mesure se mettre à niveau de lui-même.



- Marquez le milieu de la ligne laser verticale au bas (au niveau du sol) de l'embrasure de porte (point I), à 5 m de distance du côté opposé de l'embrasure de porte (point II) ainsi qu'au bord supérieur de l'embrasure de porte (point III).



- Tournez l'appareil de mesure de 180° et placez-le de l'autre côté de l'embrasure de porte, directement derrière le point II. Attendez que l'appareil de mesure se mette à niveau et ajustez la position de la ligne laser verticale de sorte que son milieu passe exactement par les points I et II.
- Marquez le milieu de la ligne laser au bord supérieur de l'embrasure de porte (point IV).
- L'écart d entre les deux points III et IV indique l'écart réel de l'appareil de mesure par rapport à la verticale.
- Mesurez la hauteur de l'embrasure de porte.

L'écart maximal admissible se calcule comme suit :
 2 fois la hauteur de l'embrasure de porte $\times 0,3$ mm/m
 Exemple : Si la hauteur de l'embrasure de porte est de 2 m, l'écart maximal ne doit pas excéder
 $2 \times 2 \text{ m} \times \pm 0,3 \text{ mm/m} = \pm 1,2 \text{ mm}$. Les points III et IV ne doivent par conséquent pas être éloignés de plus de 1,2 mm l'un de l'autre.

Instructions d'utilisation

- Lorsque vous voulez effectuer des marquages, marquez toujours l'emplacement du centre du point laser ou de la ligne laser. La taille du point laser ou la largeur de la ligne laser varient avec la distance.

Travail avec la cible laser

La cible laser (26) améliore la visibilité du faisceau laser dans des conditions défavorables et sur les grandes distances.

La surface réfléchissante de la cible laser (26) améliore la visibilité de la ligne laser, la surface transparente rend la ligne laser visible même lorsque l'utilisateur se trouve derrière la cible laser.

Utilisation sur trépied (accessoire) (voir figure F)

Un trépied constitue un support de mesure stable et réglable en hauteur. Pour le montage de l'appareil de mesure sur un trépied, placez l'appareil de mesure sur la plateforme pivotante (12).

Montage sur un trépied de 5/8" : Vissez le filetage d'un trépied de 5/8" (28) ou d'un trépied de chantier dans le raccord de trépied 5/8" (9) de la plateforme pivotante. Serrez la plateforme pivotante avec la vis de blocage du trépied.

Montage sur un trépied de 1/4" (voir figure F) : Vissez l'adaptateur de trépied (20) (accessoire) dans le raccord de trépied 5/8" (9) de la plateforme pivotante. Vissez le raccord 1/4" de l'adaptateur de trépied sur le goujon fileté d'un trépied 1/4" (21) ou d'un trépied photo. Serrez l'adaptateur de trépied avec la vis de blocage du trépied.

Mettez le trépied plus ou moins à niveau avant de mettre en marche l'appareil de mesure.

Travail avec cellule de réception laser (accessoire)

Dans des conditions d'éclairage défavorables (très forte luminosité, soleil direct) et pour les mesures sur grandes distances, il est recommandé d'utiliser la cellule de réception (22) pour mieux voir les lignes laser. Pour travailler avec la cellule de réception, activez le mode Cellule de réception (voir « Mode Cellule de réception », Page 15).

Lunettes de vision du faisceau laser (accessoire)

Les lunettes de vision du faisceau laser filtrent la lumière ambiante. L'œil perçoit ainsi la lumière du laser comme étant plus claire.

- **N'utilisez pas les lunettes de vision laser (accessoire non fourni) comme des lunettes de protection.** Les lunettes de vision laser aident seulement à mieux voir le faisceau laser ; elles ne protègent pas contre les effets des rayonnements laser.
- **N'utilisez pas les lunettes de vision laser (accessoire non fourni) comme des lunettes de soleil ou pour la circulation routière.** Les lunettes de vision laser n'offrent pas de protection UV complète et elles faussent la perception des couleurs.

Exemples d'utilisation (voir les figures B-E)

Vous trouverez des exemples d'utilisation de l'appareil de mesure sur les pages graphiques.

Entretien et Service après-vente

Nettoyage et entretien

Maintenez l'appareil de mesure propre.

N'immergez jamais l'appareil de mesure dans de l'eau ou dans d'autres liquides.

Nettoyez l'appareil à l'aide d'un chiffon doux et humide. N'utilisez pas de détergents ou de solvants.

Nettoyez régulièrement la zone autour de l'ouverture de sortie du faisceau laser en évitant les peluches.

Ne transportez et ne rangez l'appareil de mesure que dans sa housse de protection (27).

Au cas où l'appareil de mesure a besoin d'être réparé, renvoyez-le dans sa housse de protection (27).

Service après-vente et conseil utilisateurs

Notre Service après-vente répond à vos questions concernant la réparation et l'entretien de votre produit et les pièces de rechange. Vous trouverez des vues éclatées et des informations sur les pièces de rechange sur le site :

www.bosch-pt.com

L'équipe de conseil utilisateurs Bosch se tient à votre disposition pour répondre à vos questions concernant nos produits et leurs accessoires.

Pour toute demande de renseignement ou toute commande de pièces de rechange, précisez impérativement la référence à 10 chiffres figurant sur l'étiquette signalétique du produit.

France

Réparer un outil Bosch n'a jamais été aussi simple, et ce, en moins de 5 jours, grâce à SAV DIRECT, notre formulaire de retour en ligne que vous trouverez sur notre site internet www.bosch-pt.fr à la rubrique Services. Vous y trouverez également notre boutique de pièces détachées en ligne où vous pouvez passer directement vos commandes.

Vous êtes un utilisateur, contactez : Le Service Clientèle Bosch Outillage Electroportatif

Tel. : 09 70 82 12 26 (Numéro non surtaxé au prix d'un appel local)

E-Mail : sav.outillage-electroportatif@fr.bosch.com

Vous êtes un revendeur, contactez :

Robert Bosch (France) S.A.S.
Service Après-Vente Electroportatif
126, rue de Stalingrad
93705 DRANCY Cédex

Tel. : (01) 43119006

E-Mail : sav-bosch.outillage@fr.bosch.com

Vous trouverez d'autres adresses du service après-vente sous :

www.bosch-pt.com/serviceaddresses

Élimination des déchets

Prière de rapporter les instruments de mesure, leurs accessoires et les emballages dans un Centre de recyclage respectueux de l'environnement.



Ne jetez pas les appareils de mesure et les piles avec des ordures ménagères !

Seulement pour les pays de l'UE :

Conformément à la directive européenne 2012/19/UE relative aux déchets d'équipements électriques et électroniques (DEEE) et sa transposition dans le droit national français, les appareils de mesure devenus inutilisables et conformément à la directive 2006/66/CE les piles/accus défectueux ou usagés doivent être mis de côté et rapportés dans un centre de collecte et de recyclage respectueux de l'environnement.

En cas de non-respect des consignes d'élimination, les déchets d'équipements électriques et électroniques peuvent avoir un impact négatif sur l'environnement et la santé des personnes du fait des substances dangereuses qu'ils contiennent.

Valable uniquement pour la France :



FR
Cet appareil, ses accessoires, et batterie se recyclent

À DÉPOSER EN MAGASIN

OU

À DÉPOSER EN DÉCHÈTERIE

Points de collecte sur www.quefairedemesdechets.fr

Español

Indicaciones de seguridad



Leer y observar todas las instrucciones, para trabajar sin peligro y riesgo con el aparato de medición. Si el aparato de medición no se utiliza según las presentes instrucciones, pueden menoscabarse las medidas de seguridad integradas en el aparato de medición. Jamás desvirtúe las señales de advertencia del aparato de medición. **GUARDE BIEN ESTAS INSTRUCCIONES Y ADJUNTELAS EN LA ENTREGA DEL APARATO DE MEDICIÓN.**

- ▶ **Precaución** – si se utilizan dispositivos de manejo o de ajuste distintos a los especificados en este documento o si se siguen otros procedimientos, esto puede conducir a una peligrosa exposición a la radiación.
- ▶ El aparato de medición se suministra con un rótulo de advertencia láser (marcada en la representación del aparato de medición en la página ilustrada).
- ▶ Si el texto del rótulo de advertencia láser no está en su idioma del país, entonces cúbralo con la etiqueta adhesiva adjunta en su idioma del país antes de la primera puesta en marcha.



No oriente el rayo láser sobre personas o animales y no mire hacia el rayo láser directo o reflejado. Debido a ello, puede deslum-

brar personas, causar accidentes o dañar el ojo.

- ▶ **Si la radiación láser incide en el ojo, debe cerrar conscientemente los ojos y mover inmediatamente la cabeza fuera del rayo.**
- ▶ **No efectúe modificaciones en el equipamiento del láser.**
- ▶ **No utilice las gafas de visualización láser (accesorio) como gafas protectoras.** Las gafas de visualización láser sirven para detectar mejor el rayo láser; sin embargo, éstas no protegen contra la radiación láser.
- ▶ **No utilice las gafas de visualización láser (accesorio) como gafas de sol o en el tráfico.** Las gafas de visualización láser no proporcionan protección UV completa y reducen la percepción del color.
- ▶ **Sólo deje reparar el aparato de medición por personal técnico calificado y sólo con repuestos originales.** Sólo así se mantiene la seguridad del aparato de medición.
- ▶ **No deje que niños utilicen el aparato de medición láser sin vigilancia.** Podrían deslumbrar involuntariamente a otras personas o a sí mismo.
- ▶ **No trabaje con el aparato de medición en un entorno potencialmente explosivo, en el que se encuentran líquidos, gases o polvos inflamables.** El aparato de medición puede producir chispas e inflamar los materiales en polvo o vapores.



No coloque el instrumento de medición y los accesorios magnéticos cerca de implantes y otros dispositivos médicos, como p. ej. marcapasos o bomba de insulina. Los imanes del instrumento de medición y los accesorios generan un campo, que puede afectar el funcionamiento de los implantes y de los dispositivos médicos.

- ▶ **Mantenga el instrumento de medición y los accesorios magnéticos alejados de soportes de datos magnéticos y de equipos sensibles al magnetismo.** Los imanes del instrumento de medición y de los accesorios magnéticos pueden provocar pérdidas de datos irreversibles.

Descripción del producto y servicio

Por favor, observe las ilustraciones en la parte inicial de las instrucciones de servicio.

Utilización reglamentaria

El aparato de medición ha sido diseñado para determinar y verificar líneas horizontales y verticales así como puntos de plomada.

El aparato de medición es apto para su uso en el interior.

Este producto es un producto láser de consumo conforme a la norma EN 50689.

Componentes principales

La numeración de los componentes está referida a la imagen del aparato de medición en la página ilustrada.

- (1) Abertura de salida del rayo láser
- (2) Enclavamiento de la tapa del compartimento de las pilas
- (3) Tapa del compartimento de las pilas
- (4) Número de serie
- (5) Señal de aviso láser
- (6) Ranuras de fijación del aparato de medición
- (7) Interruptor de conexión/desconexión
- (8) Nivel de burbuja de la plataforma giratoria
- (9) Alojamiento de trípode de 5/8" de la plataforma giratoria
- (10) Tornillo de ajuste de la altura de la plataforma giratoria
- (11) Tornillo de ajuste fino de la plataforma giratoria
- (12) Plataforma giratoria
- (13) Ranuras de fijación de la plataforma giratoria
- (14) Indicador de bloqueo del péndulo
- (15) Indicador de modo receptor
- (16) Indicación de estado
- (17) Tecla de modo receptor
- (18) Tecla de modo de operación vertical
- (19) Tecla de modo de operación horizontal
- (20) Adaptador de trípode^{a)}
- (21) Trípode con rosca de 1/4"^{na)}
- (22) Receptor láser^{a)}
- (23) Imán^{a)}
- (24) Soporte del receptor láser^{a)}
- (25) Gafas para láser^{a)}
- (26) Tablilla reflectante de láser^{a)}
- (27) Estuche de protección
- (28) Trípode con rosca de 5/8"^{na)}
- (29) Barra telescópica^{a)}

a) Los accesorios descritos e ilustrados no corresponden al material que se adjunta de serie. La gama completa de accesorios opcionales se detalla en nuestro programa de accesorios.

Datos técnicos

Láser de línea	GLL 5-50 X
Número de artículo	3 601 K63 F..
Zona de trabajo ^{A)}	
- Líneas láser estándar	15 m
- Líneas láser con modo receptor	10 m
- Líneas láser con receptor láser	5-50 m

Láser de línea	GLL 5-50 X
– Punto de plomada	5 m
Precisión de nivelación ^{B)C)}	
– Línea láser horizontal	±0,2 mm/m
– Líneas láser verticales	±0,3 mm/m
– Punto de plomada	±0,7 mm/m
Margen de autonivelación	±3°
Tiempo de nivelación	< 4 s
Temperatura de servicio	-10 °C ... +45 °C
Temperatura de almacenamiento	-20 °C ... +70 °C
Altura de aplicación máx. sobre la altura de referencia	2.000 m
Humedad máx. relativa del aire	90 %
Grado de contaminación según IEC 61010-1	2 ^{D)}
Clase de láser	2
Tipo de láser	< 1 mW, 630–650 nm
C _e	1
Divergencia	
– Línea láser	1,5 mrad
– Punto de plomada	1,5 mrad
Servicio sin modo receptor	Onda continua (CW)
Duración de impulso más corta (servicio en el modo receptor)	0,05 ms
Frecuencia de impulso (servicio en el modo receptor)	10 kHz
Alojamiento de trípode ^{E)}	5/8"
Pilas	4 × 1,5 VLR6 (AA)
Duración del servicio aprox. ^{B)}	
– Con 1 línea láser	24 h
– Con 2 líneas láser	14 h
– Con 3 líneas láser	10 h
– Con 5 líneas láser	6 h
Peso según EPTA-Procedure 01:2014	0,54 kg
Medidas (longitud × ancho × altura)	
– Sin plataforma giratoria	122 × 83 × 129 mm
– Con plataforma giratoria	∅ 151 × 203 mm

Láser de línea	GLL 5-50 X
Tipo de protección (excepto el compartimento de las pilas)	IP54 (protegido contra polvo y salpicaduras de agua)

- A) La zona de trabajo puede reducirse con condiciones del entorno adversas (p. ej. irradiación solar directa).
- B) con **20–25 °C**
- C) Los valores indicados asumen condiciones ambientales normales a favorables (p.ej. sin vibraciones, sin niebla, sin humo, sin luz solar directa). Tras fuertes fluctuación de temperatura pueden generarse desviaciones de precisión.
- D) Sólo se produce un ensuciamiento no conductor, sin embargo ocasionalmente se espera una conductividad temporal causada por la condensación.
- E) sólo disponible en combinación con la plataforma giratoria. Para la identificación unívoca de su aparato de medición sirve el número de referencia **(4)** en la placa de características.

Montaje

Colocar/cambiar las pilas

Para el funcionamiento de la herramienta de medición se recomiendan pilas alcalinas de manganeso.

Para abrir la tapa del alojamiento de las pilas **(3)**, pulse el bloqueo **(2)** y retire la tapa del alojamiento de las pilas. Coloque las pilas.

Observe en ello la polaridad correcta conforme a la representación en el lado interior del compartimento de pilas.

Si parpadea la indicación de estado **(16)**, entonces debe cambiar las pilas.

Reemplace siempre simultáneamente todas las pilas. Utilice sólo pilas de un fabricante y con igual capacidad.

► **Retire las pilas del aparato de medición, si no va a utilizarlo durante un periodo largo.** Si las pilas se almacena durante mucho tiempo en el aparato de medición, pueden corroerse y autodescargarse.

Trabajos con la plataforma giratoria (ver figura A)

Con ayuda de la plataforma giratoria **(12)**, puede girar el aparato de medición 360° en torno a un punto de plomada central siempre visible. De ese modo, se pueden ajustar las líneas láser con exactitud sin modificar la posición del instrumento de medición.

Coloque el aparato de medición en la plataforma giratoria **(12)**, de manera que las ranuras de fijación **(13)** de la plataforma giratoria encajen entre las correspondientes ranuras de fijación **(6)** en la parte inferior del aparato de medición. Gire el aparato de medición en el sentido de las agujas del reloj para fijarlo en la plataforma giratoria.

Desenrosque las patas de la plataforma giratoria **(12)** con los tornillos de ajuste de la altura **(10)**.

Alinee aproximadamente la plataforma giratoria con el nivel de burbuja **(8)**.

Si el aparato de medición está montado en la plataforma giratoria **(12)**, puede alinear las líneas láser verticales exac-

tamente en los puntos de referencia con el tornillo de ajuste fino (11).

Operación

Puesta en marcha

- ▶ **Proteja el aparato de medición de la humedad y de la exposición directa al sol.**
- ▶ **No exponga el aparato de medición a temperaturas extremas o fluctuaciones de temperatura.** No lo deje, por ejemplo, durante un tiempo prolongado en el automóvil. En caso de grandes fluctuaciones de temperatura, deje que se temple primero el aparato de medición y realice siempre una verificación de precisión antes de continuar con el trabajo (ver "Verificación de precisión del aparato de medición", Página 23). Las temperaturas extremas o los cambios bruscos de temperatura pueden afectar a la exactitud del aparato de medición.
- ▶ **Evite que el aparato de medición reciba golpes o que caiga.** Después de influencias externas severas en el aparato de medición, debería realizar siempre una verificación de precisión antes de continuar con el trabajo (ver "Verificación de precisión del aparato de medición", Página 23).
- ▶ **Desconecte el aparato de medición cuando vaya a transportarlo.** Al desconectarlo, la unidad del péndulo se inmoviliza, evitándose así que se dañe al quedar sometida a una fuerte agitación.

Conexión/desconexión

Para **conectar** el aparato de medición, empuje el interruptor de conexión/desconexión (7) a la posición "On" (para trabajos con bloqueo del péndulo) o a la posición "On" (para trabajos con nivelación automática). La indicación de estado (16) se enciende. Inmediatamente después de la conexión, el aparato de medición proyecta una línea láser horizontal desde la abertura de salida delantera (1).

- ▶ **No oriente el rayo láser contra personas ni animales, ni mire directamente hacia el rayo láser, incluso encontrándose a gran distancia.**

Para **desconectar** el aparato de medición, empuje el interruptor de conexión/desconexión (7) a la posición "Off". La indicación de estado (16) se apaga. Al desconectar, se bloquea la unidad oscilante.

- ▶ **No deje sin vigilancia el aparato de medición encendido y apague el aparato de medición después del uso.** El rayo láser podría deslumbrar a otras personas.

En caso de sobrepasar la temperatura de servicio máxima permisible de 45 °C, tiene lugar la desconexión para proteger el diodo láser. Una vez que se haya enfriado, puede conectarse nuevamente el aparato de medición y seguir trabajando con él.

Desactivación del automatismo de desconexión

El aparato de medición se desconecta automáticamente tras 30 minutos de duración del servicio.

Para desactivar la desconexión automática, mantenga apretado durante 3 s o la tecla de modo de operación vertical (18) o la tecla de modo de operación horizontal (19) al conectar el aparato de medición. Si está desactivada la desconexión automática, parpadean brevemente los rayos láser tras 3 s.

Para activar el automatismo de desconexión, desconecte y vuelva a conectar el aparato de medición (sin tecla oprimida).

Modos de operación

El aparato de medición dispone de varios modos de operación, entre los cuales se puede cambiar en todo momento. El modo de operación horizontal y el vertical se pueden activar y desactivar de forma independiente. Tras la conexión, el aparato de medición se encuentra en modo de operación vertical.

Todos los modos de operación se pueden seleccionar con nivelación automática así como también con bloqueo del péndulo.

Modo de operación horizontal (ver figura B)

En el modo de operación horizontal, el aparato de medición emite una línea láser horizontal hacia delante.

Para conectar o desconectar la línea láser horizontal, pulse la tecla de modo de operación horizontal (19).

Modo de operación vertical y punto de plomada (ver figuras C-E)

El aparato de medición dispone de varios modos de operaciones verticales:

- Línea láser vertical hacia delante,
- Línea láser vertical hacia delante y hacia el lado derecho,
- Línea láser vertical hacia delante y hacia detrás,
- Líneas láser verticales hacia los cuatro lados.

Además, en el modo de operación vertical siempre se proyecta una plomada hacia abajo.

Para conectar o desconectar el modo de operación vertical así como para cambiar el modo de operación vertical, pulse la tecla de modo de operación vertical (18) varias veces, hasta alcanzar el modo de operación deseado.

Modo receptor

Para trabajar con el receptor láser (22) se debe activar el modo receptor, independientemente del modo de operación seleccionado.

En el modo receptor parpadean las líneas láser con una frecuencia muy alta y por ello son localizables para el receptor láser (22).

Para conectar el modo receptor, presione la tecla modo receptor (17). El indicador de modo receptor (15) se ilumina en color rojo.

Con el modo receptor conectado, la visibilidad de las líneas láser se reduce para el ojo humano. Por ello, para los trabajos sin receptor láser, desconecte el modo receptor presionando de nuevo la tecla modo receptor (17). El indicador modo receptor (15) se apaga.

Nivelación automática

Operación con nivelación automática

Coloque el aparato de medición sobre una base horizontal firme o fíjelo sobre la plataforma giratoria (12).

Para los trabajos con nivelación automática, desplace el conector/desconector (7) a la posición "On".

La nivelación automática compensa automáticamente los desniveles dentro del margen de autonivelación de $\pm 3^\circ$. La nivelación se ha finalizado, una vez que ya no se muevan las líneas láser.

Si no es posible trabajar con nivelación automática, p. ej. debido a que la superficie de apoyo del aparato de medición diverge más de 3° de la horizontal, comienzan a parpadear los rayos láser con un ciclo rápido.

En este caso, coloque horizontalmente el aparato de medición y espere a que se autonivele. Tan pronto el aparato de medición se encuentra dentro del margen de la autonivelación de $\pm 3^\circ$, se encienden permanentemente los rayos láser.

En el caso de vibraciones o modificaciones de posición durante el servicio, el aparato de medición se nivela de nuevo automáticamente. Tras la nivelación verifique nuevamente la posición de los rayos láser respecto a los puntos de referencia para evitar errores debido al desplazamiento del aparato de medición.

Trabajos con bloqueo del péndulo

Para los trabajos con bloqueo del péndulo, desplace el interruptor de conexión/desconexión (7) a la posición "Off". El indicador de bloqueo del péndulo (14) se enciende en color rojo y las líneas láser parpadean permanentemente en ciclo lento.

En el caso de trabajos con bloqueo del péndulo está desconectada la nivelación automática. Puede sostener el aparato de medición libremente en la mano o ponerlo sobre una base inclinada. Los rayos láser ya no se nivelan y ya no son necesariamente perpendiculares entre sí.

Verificación de precisión del aparato de medición

Factores que afectan a la precisión

La influencia más fuerte la tiene la temperatura ambiente. Especialmente las variaciones de temperatura que pudieran existir a diferente altura respecto al suelo pueden provocar una desviación del rayo láser.

Para minimizar las influencias térmicas causadas por el calor que sube del suelo, se recomienda utilizar el instrumento de medición sobre un trípode. Siempre que sea posible, coloque además el aparato de medición en el centro del área de trabajo.

Fuera de los influjos exteriores, también los influjos específicos del aparato (como p. ej. caídas o golpes fuertes) pueden conducir a divergencias. Verifique por ello la exactitud de la nivelación antes de cada comienzo de trabajo.

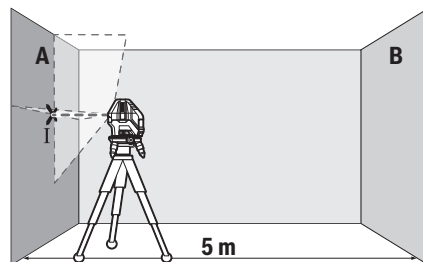
Verifique respectivamente primero la exactitud de la altura así como la nivelación de la línea láser horizontal y luego la exactitud de la nivelación de la línea vertical.

Si en alguna de estas comprobaciones se llega a sobrepasar la desviación máxima admisible, haga reparar el aparato de medición en un servicio técnico **Bosch**.

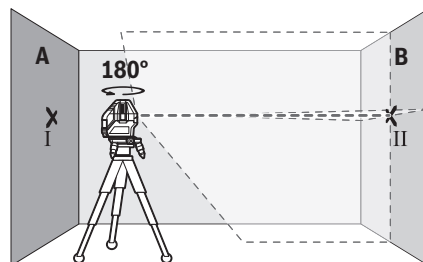
Comprobación de la exactitud de la altura de la línea horizontal

Para la comprobación se requiere un tramo libre de 5 m sobre un firme consistente entre dos paredes A y B.

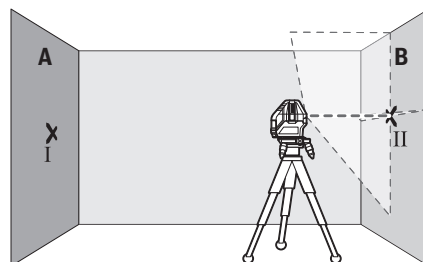
- Monte el aparato de medición cerca de la pared A sobre la plataforma giratoria (12) o sobre un trípode (28), o colóquelo sobre un firme consistente y plano. Conecte el aparato de medición en el servicio con nivelación automática. Conecte el modo de operación horizontal así como el modo de operación vertical con una línea láser vertical hacia delante.



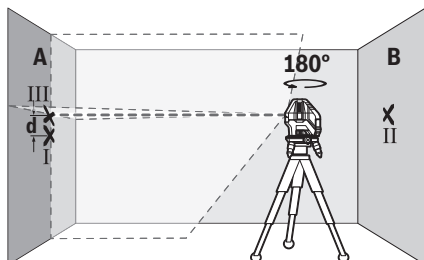
- Oriente el láser contra la cercana pared A, y deje que se nivele el aparato de medición. Marque el centro del punto, en el cual se cruzan las líneas láser en la pared (punto I).



- Gire el aparato de medición en 180° , espere a que éste se haya nivelado y marque la intersección de las líneas láser en la pared B del lado opuesto (punto II).
- Ubique el aparato de medición – sin girarlo – cerca de la pared B, conéctelo y déjelo que se nivele.



- Alinee el aparato de medición en la altura (con la ayuda del trípode o de apoyos si es necesario), de modo que la intersección de las líneas láser quede exactamente en el punto II marcado previamente en la pared B.



- Gire el aparato de medición en 180°, sin modificar la altura. Alineelo sobre la pared A, de modo que la línea láser vertical pase por el punto I ya marcado. Espere a que se haya nivelado el aparato de medición y marque la intersección de las líneas láser en la pared A (punto III).
- La diferencia **d** de ambos puntos I y III marcados sobre la pared A es la desviación de altura real del aparato de medición.

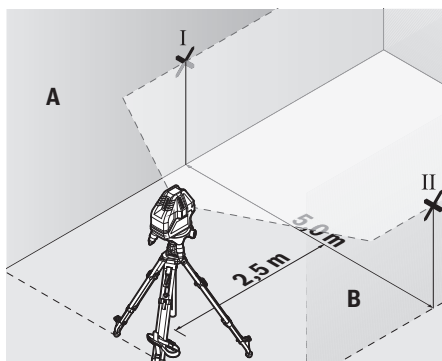
En un recorrido de medición de $2 \times 5 \text{ m} = 10 \text{ m}$, la divergencia máxima admisible asciende a:

$10 \text{ m} \times \pm 0,2 \text{ mm/m} = \pm 2 \text{ mm}$. La diferencia **d** entre los puntos I y III debe ascender por consiguiente a como máximo 2 mm.

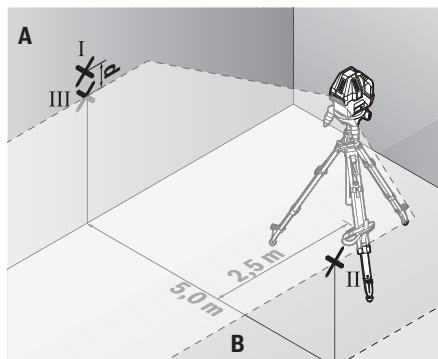
Comprobación de la exactitud de nivelación de la línea horizontal

Para la comprobación se requiere una superficie libre de aprox. $5 \times 5 \text{ m}$.

- Monte el aparato de medición en el centro entre ambas paredes A y B sobre la plataforma giratoria (12) o un trípode (28), o bien, colóquelo sobre un firme consistente y plano. Conecte el aparato de medición en el servicio con nivelación automática. Conecte el modo de operación horizontal y espere a que se nivele el aparato de medición.



- A una distancia de 2,5 m del aparato de medición, marque en ambas paredes el centro de la línea láser (punto I en pared A y punto II en pared B).



- Coloque el aparato de medición girado en 180° a una distancia de 5 m y deje que se nivele.
- Alinee el aparato de medición en la altura (con la ayuda del trípode o de apoyos si es necesario), de modo que el centro de la línea láser quede exactamente en el punto II marcado previamente en la pared B.
- Marque en la pared A el centro de la línea láser como punto III (verticalmente sobre o debajo del punto I).
- La diferencia **d** de ambos puntos I y III marcados sobre la pared A es la desviación real del aparato de medición de la horizontal.

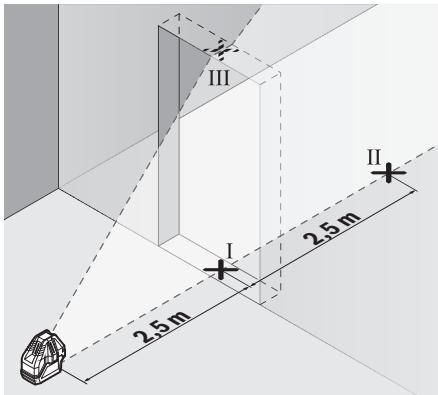
En un recorrido de medición de $2 \times 5 \text{ m} = 10 \text{ m}$, la divergencia máxima admisible asciende a:

$10 \text{ m} \times \pm 0,2 \text{ mm/m} = \pm 2 \text{ mm}$. La diferencia **d** entre los puntos I y III debe ascender por consiguiente a como máximo 2 mm.

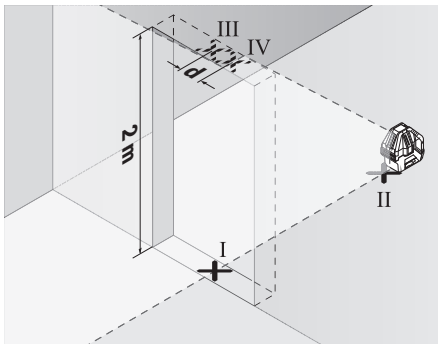
Comprobación de la exactitud de nivelación de la línea vertical

Para la comprobación se requiere el vano de una puerta, debiéndose disponer de un espacio mínimo antes y después del mismo de 2,5 m sobre un firme consistente.

- Coloque el aparato de medición sobre una base firme y plana (sin emplear una plataforma giratoria (12) o un trípode) a una distancia de 2,5 m respecto a la abertura de la puerta. Conecte el aparato de medición en el servicio con nivelación automática. Conecte el modo de operación vertical con una línea láser vertical hacia delante y oriente la línea láser hacia la abertura de la puerta. Deje que se nivele el aparato de medición.



- Marque el centro de la línea láser vertical en el piso de la abertura de puerta (punto I), a 5 m de distancia al otro lado de la abertura de puerta (punto II) así como en el margen superior de la abertura de puerta (punto III).



- Gire el aparato de medición en 180° y colóquelo en el otro lado de la abertura de puerta directamente detrás del punto II. Deje que se nivele el aparato de medición y alinee la línea láser vertical de manera que su centro pase exactamente por los puntos I y II.
- Marque el centro de la línea láser en el margen superior de la abertura de puerta como punto IV.
- La diferencia d de ambos puntos III y IV marcados es la desviación de la vertical real del aparato de medición.
- Mida la altura del vano de la puerta.

Calcule la divergencia máxima admisible como sigue:
 altura doble de la abertura de la puerta $\times 0,3$ mm/m
 Ejemplo: con una altura de la abertura de la puerta de 2 m, la divergencia máxima puede ascender a $2 \times 2 \text{ m} \times \pm 0,3 \text{ mm/m} = \pm 1,2 \text{ mm}$. Por lo tanto, los puntos III y IV pueden estar a una distancia de 1,2 mm como máximo.

Instrucciones para la operación

- **Utilice siempre sólo el centro del punto láser o de la línea láser para marcar.** El tamaño del punto del láser, o el ancho de la línea láser, varían con la distancia.

Aplicación de la tablilla reflectante

La tablilla reflectante de láser (26) mejora la visibilidad del rayo láser bajo condiciones desfavorables y distancias más grandes.

La superficie reflectante de la tablilla (26) permite apreciar mejor el rayo láser y la superficie transparente deja ver el rayo láser también por el dorso de la tablilla reflectante de láser.

Trabajos con el trípode (accesorio) (ver figura F)

Un trípode ofrece una base de medición estable y regulable en la altura. Para el montaje del aparato de medición en un trípode, coloque el aparato de medición sobre la plataforma giratoria (12).

Montaje en un trípode de 5/8": Coloque la plataforma giratoria con el alojamiento de trípode de 5/8" (9) en la rosca de un trípode de 5/8" (28) o de un trípode de construcción corriente en el comercio. Atornille firmemente la plataforma giratoria con el tornillo de sujeción del trípode.

Montaje en un trípode de 1/4" (ver figura F): Atornille el adaptador para trípode (20) (accesorio) en el alojamiento de trípode de 5/8" (9) de la plataforma giratoria. Coloque el adaptador de trípode con el alojamiento de trípode de 1/4" en la rosca de un trípode de 1/4" (21) o de un trípode de cámara fotográfica corriente en el comercio. Atornille firmemente el adaptador de trípode con el tornillo de sujeción del trípode.

Nivele el trípode de forma aproximada antes de conectar el aparato de medición.

Trabajos con el receptor láser (accesorio)

En el caso de condiciones de luz desfavorables (entorno claro, irradiación solar directa) y a distancias más grandes, utilice el receptor láser (22) para una mejor localización de las líneas láser. Encienda el modo receptor mientras trabaja con el receptor láser (ver "Modo receptor", Página 22).

Gafas para láser (accesorio)

Las gafas para láser filtran la luz del entorno. Ello permite apreciar con mayor intensidad la luz del láser.

► **No utilice las gafas de visualización láser (accesorio) como gafas protectoras.** Las gafas de visualización láser sirven para detectar mejor el rayo láser; sin embargo, éstas no protegen contra la radiación láser.

► **No utilice las gafas de visualización láser (accesorio) como gafas de sol o en el tráfico.** Las gafas de visualización láser no proporcionan protección UV completa y reducen la percepción del color.

Ejemplos para el trabajo (ver figuras B-E)

Ejemplos para la aplicación del aparato de medición los encontrará en las páginas ilustradas.

Mantenimiento y servicio

Mantenimiento y limpieza

Mantenga limpio siempre el aparato de medición.

No sumerja el aparato de medición en agua ni en otros líquidos.

Limpiar el aparato con un paño húmedo y suave. No utilice ningún detergente o disolvente.

Limpie con regularidad sobre todo el área en torno a la abertura de salida del láser, cuidando que no queden motas.

Almacene y transporte el aparato de medición solamente en la bolsa protectora (27).

En el caso de reparación, envíe el aparato de medición en la bolsa protectora (27).

Servicio técnico y atención al cliente

El servicio técnico le asesorará en las consultas que pueda Ud. tener sobre la reparación y mantenimiento de su producto, así como sobre piezas de recambio. Las representaciones gráficas tridimensionales e informaciones de repuestos se encuentran también bajo: www.bosch-pt.com

El equipo asesor de aplicaciones de Bosch le ayuda gustosamente en caso de preguntas sobre nuestros productos y sus accesorios.

Para cualquier consulta o pedido de piezas de repuesto es imprescindible indicar el nº de artículo de 10 dígitos que figura en la placa de características del producto.

España

Robert Bosch España S.L.U.
Departamento de ventas Herramientas Eléctricas
C/Hermanos García Noblejas, 19
28037 Madrid

Para efectuar su pedido online de recambios o pedir la recogida para la reparación de su máquina, entre en la página www.herramientasbosch.net.

Tel. Asesoramiento al cliente: 902 531 553

Fax: 902 531554

Direcciones de servicio adicionales se encuentran bajo:

www.bosch-pt.com/serviceaddresses

Eliminación

Recomendamos que los aparatos de medición, los accesorios y los embalajes sean sometidos a un proceso de recuperación que respete el medio ambiente.



¡No arroje los aparatos de medición y las pilas a la basura!

Sólo para los países de la UE:

De acuerdo con la directiva europea 2012/19/UE sobre aparatos eléctricos y electrónicos de desecho y su realización en la legislación nacional y la directiva europea 2006/66/CE, los aparatos de medición que ya no son aptos para su uso y respectivamente los acumuladores/las pilas defectuosos o vacíos deberán ser recogidos por separado y reciclados de manera respetuosa con el medio ambiente.

En el caso de una eliminación inadecuada, los aparatos eléctricos y electrónicos pueden tener efectos nocivos para el

medio ambiente y la salud humana debido a la posible presencia de sustancias peligrosas.

NOM

El símbolo es solamente válido, si también se encuentra sobre la placa de características del producto/fabricado.

Português

Instruções de segurança



Devem ser lidas e respeitadas todas as instruções para trabalhar de forma segura e sem perigo com o instrumento de medição. Se o instrumento de medição não for utilizado em conformidade com as presentes instruções, as proteções integradas no instrumento de medição podem ser afetadas. Jamais permita que as placas de advertência no instrumento de medição se tornem irreconhecíveis. CONSERVE BEM ESTAS INSTRUÇÕES E FAÇA-AS ACOMPANHAR O INSTRUMENTO DE MEDIÇÃO SE O CEDER A TERCEIROS.

- ▶ Cuidado – O uso de dispositivos de operação ou de ajuste diferentes dos especificados neste documento ou outros procedimentos podem resultar em exposição perigosa à radiação.
- ▶ O instrumento de medição é fornecido com uma placa de advertência laser (identificada na figura do instrumento de medição, que se encontra na página de esquemas).
- ▶ Se o texto da placa de advertência laser não estiver no seu idioma, antes da primeira colocação em funcionamento, deverá colar o adesivo com o texto de advertência no seu idioma nacional sobre a placa de advertência.



Não apontar o raio laser na direção de pessoas nem de animais e não olhar para o raio laser direto ou reflexivo. Desta forma poderá encandear outras pessoas, causar acidentes ou danificar o olho.

- ▶ Se um raio laser acertar no olho, fechar imediatamente os olhos e desviar a cabeça do raio laser.
- ▶ Não efetue alterações no dispositivo laser.
- ▶ Não use os óculos para laser (acessório) como óculos de proteção. Os óculos para laser servem para ver melhor o feixe de orientação a laser; mas não protegem contra radiação laser.
- ▶ Não use os óculos para laser (acessório) como óculos de sol ou no trânsito. Os óculos para laser não

providenciam uma proteção UV completa e reduzem a percepção de cores.

- ▶ **Só permita que o instrumento de medição seja consertado por pessoal especializado e qualificado e só com peças de reposição originais.** Desta forma é assegurada a segurança do instrumento de medição.
- ▶ **Não deixe que crianças usem o instrumento de medição laser sem vigilância.** Elas podem encandear sem querer outras pessoas ou elas mesmas.
- ▶ **Não trabalhe com o instrumento de medição em áreas com risco de explosão, onde se encontram líquidos, gases ou pó inflamáveis.** No instrumento de medição podem ser produzidas faíscas, que podem inflamar pós ou vapores.



Não coloque o instrumento de medição nem os acessórios magnéticos perto de implantes e outros dispositivos médicos, como p. ex. pacemaker ou bomba de insulina. Os ímanes do instrumento de medição e do acessório criam um campo que pode influenciar o funcionamento de implantes e dispositivos médicos.

- ▶ **Mantenha o instrumento de medição e os acessórios magnéticos longe de suportes de dados magnéticos e aparelhos magneticamente sensíveis.** O efeito dos ímanes do instrumento de medição e do acessório pode causar perdas de dados irreversíveis.

Descrição do produto e do serviço

Respeite as figuras na parte da frente do manual de instruções.

Utilização adequada

O instrumento de medição destina-se a determinar e verificar linhas horizontais e verticais, assim como pontos de prumada.

O instrumento de medição é apropriado para a utilização em áreas interiores.

Este produto é um produto de consumo laser em conformidade com EN 50689.

Componentes ilustrados

A numeração dos componentes ilustrados refere-se à apresentação do instrumento de medição na página de esquemas.

- (1) Abertura para saída do raio laser
- (2) Travamento da tampa do compartimento da pilha
- (3) Tampa do compartimento das pilhas
- (4) Número de série
- (5) Placa de advertência laser
- (6) Ranhuras de fixação do instrumento de medição
- (7) Interruptor de ligar/desligar
- (8) Nível de bolha de ar da plataforma rotativa

- (9) Suporte de tripé de 5/8" da plataforma rotativa
- (10) Parafuso de ajuste da altura da plataforma rotativa
- (11) Parafuso de ajuste preciso da plataforma rotativa
- (12) Plataforma rotativa
- (13) Ranhuras de fixação da plataforma rotativa
- (14) Indicação da imobilização pendular
- (15) Indicação Modo recetor
- (16) Indicador de estado
- (17) Tecla Modo recetor
- (18) Tecla modo de operação vertical
- (19) Tecla modo de operação horizontal
- (20) Adaptador para tripé^{a)}
- (21) Tripé de 1/4"^{a)}
- (22) Recetor laser^{a)}
- (23) Íman^{a)}
- (24) Suporte para recetor laser^{a)}
- (25) Óculos para laser^{a)}
- (26) Painel de objetivo laser^{a)}
- (27) Bolsa de proteção
- (28) Tripé de 5/8"^{a)}
- (29) Cabo telescópico^{a)}

a) **Acessórios apresentados ou descritos não pertencem ao volume de fornecimento padrão. Todos os acessórios encontram-se no nosso programa de acessórios.**

Dados técnicos

Nível laser de linhas	GLL 5-50 X
Número de produto	3 601 K63 F..
Raio de ação ^{A)}	
- Linhas laser standard	15 m
- Linhas laser com modo recetor	10 m
- Linhas laser com recetor laser	5-50 m
- Ponto de prumada	5 m
Precisão de nivelamento ^{B)C)}	
- Linha laser horizontal	±0,2 mm/m
- Linhas laser verticais	±0,3 mm/m
- Ponto de prumada	±0,7 mm/m
Gama de auto-nivelamento	±3°
Tempo de nivelamento	< 4 s
Temperatura de serviço	-10 °C ... +45 °C
Temperatura de armazenamento	-20 °C ... +70 °C
Altura máx. de utilização acima da altura de referência	2000 m
Humidade relativa máx.	90%

Nível laser de linhas	GLL 5-50 X
Grau de sujidade de acordo com a IEC 61010-1	2 ^{D)}
Classe de laser	2
Tipo de laser	< 1 mW, 630–650 nm
C ₆	1
Divergência	
– Linha laser	1,5 mrad
– Ponto de prumada	1,5 mrad
Funcionamento sem modo recetor	Laser contínuo (CW)
Mínima duração de impulso (funcionamento no modo recetor)	0,05 ms
Frequência de pulso (funcionamento no modo recetor)	10 kHz
Suporte de tripé ^{E)}	5/8"
Pilhas	4 × 1,5 V LR6 (AA)
Duração de funcionamento aprox. ^{B)}	
– Com 1 linha laser	24 h
– Com 2 linhas laser	14 h
– Com 3 linhas laser	10 h
– Com 5 linhas laser	6 h
Peso conforme EPTA-Procedure 01:2014	0,54 kg
Dimensões (comprimento × largura × altura)	
– Sem plataforma rotativa	122 × 83 × 129 mm
– Com plataforma rotativa	∅ 151 × 203 mm
Tipo de proteção (exceto compartimento das pilhas)	IP54 (protegido contra pó e projeção de água)

A) O raio de ação pode ser reduzido por condições ambiente desfavoráveis (por exemplo radiação solar direta).

B) a 20–25 °C

C) Os valores indicados pressupõem condições ambiente normais a favoráveis (p. ex. ausência de vibração, nevoeiro, fumo, radiação solar direta). Após fortes oscilações de temperatura podem ocorrer desvios de precisão.

D) Só surge sujidade não condutora, mas ocasionalmente é esperada uma condutividade temporária causada por condensação.

E) disponível apenas em combinação com a plataforma rotativa. Para uma identificação inequívoca do seu instrumento de medição, consulte o número de série (4) na placa de identificação.

Montagem

Colocar/trocar pilhas

Para a operação do instrumento de medição, é recomendável utilizar pilhas de mangano alcalino.

Para abrir a tampa do compartimento das pilhas (3) prima o travamento (2) e retire a tampa. Insira as pilhas.

Tenha atenção à polaridade correta de acordo com a representação no interior do compartimento das pilhas. Se o indicador de estado (16) piscar, tem de trocar as pilhas.

Substitua sempre todas as pilhas em simultâneo. Utilize apenas pilhas de um fabricante e com a mesma capacidade.

► **Retire as pilhas do instrumento de medição se não forem utilizadas durante longos períodos.** Em caso de armazenamento prolongado no instrumento de medição, as pilhas podem ficar corroidas ou descarregar-se automaticamente.

Trabalhar com a plataforma rotativa (ver figura A)

Com a ajuda da plataforma rotativa (12) pode rodar o instrumento de medição a 360° em torno de um ponto de prumada central, sempre visível. Dessa forma, é possível definir as linhas laser com precisão, sem alterar a posição do instrumento de medição.

Coloque o instrumento de medição na plataforma rotativa (12), de modo a que as ranhuras de fixação (13) da plataforma rotativa passem entre as respetivas ranhuras de fixação (6) no lado de baixo do instrumento de medição. Rode o instrumento de medição no sentido horário, para o bloquear na plataforma rotativa.

Desaperte e remova as pernas da plataforma rotativa (12) com os parafusos de ajuste em altura (10).

Alinhe aproximadamente a plataforma rotativa com a ajuda do nível de bolha de ar (8).

Se o instrumento de medição estiver montado na plataforma rotativa (12), pode alinhar de forma exata as linhas laser verticais com os pontos de referência através do parafuso de ajuste preciso (11).

Funcionamento

Colocação em funcionamento

► **Proteja o instrumento de medição da humidade e da radiação solar direta.**

► **Não exponha o instrumento de medição a temperaturas extremas ou oscilações de temperatura.**

Não os deixe, p. ex., ficar durante muito tempo no automóvel. No caso de oscilações de temperatura maiores, deixe o instrumento de medição atingir a temperatura ambiente e proceda sempre a uma verificação de precisão antes de continuar a trabalhar (ver "Controlo de exatidão do instrumento de medição", Página 30).

No caso de temperaturas ou de oscilações de temperatura extremas é possível que a precisão do instrumento de medição seja prejudicada.

► **Evite quedas ou embates violentos com o instrumento de medição.** Após severas influências externas no instrumento de medição, recomendamos que se proceda a um controlo de exatidão antes de prosseguir (ver

"Controlo de exatidão do instrumento de medição", Página 30).

- ▶ **Desligue o instrumento de medição quando o transporta.** A unidade pendular é bloqueada logo que o instrumento for desligado, caso contrário poderia ser danificado devido a fortes movimentos.

Ligar/desligar

Para **ligar** o instrumento de medição, desloque o interruptor de ligar/desligar (7) para a posição "On" (para trabalhos com imobilização pendular) ou para a posição "On" (para trabalhos com nivelamento automático). O indicador de estado (16) acende-se. O instrumento de medição emite imediatamente depois de ser ligado uma linha laser horizontal da abertura de saída (1) frontal.

- ▶ **Não apontar o raio de laser na direção de pessoas nem de animais e não olhar no raio laser, nem mesmo de maiores distâncias.**

Para **desligar** o instrumento de medição, desloque o interruptor de ligar/desligar (7) para a posição "Off". A indicação de estado (16) apaga-se. Ao desligar, a unidade pendular bloqueia.

- ▶ **Não deixe o instrumento de medição ligado sem vigilância e desligue o instrumento de medição após utilização.** Outras pessoas poderiam ser cegadas pelo raio laser.

Ao exceder a temperatura de serviço máxima permitida de 45 °C ocorre um desligamento para proteção do díodo laser. Depois de arrefecer, o instrumento de medição volta a estar operacional e pode ser novamente ligado.

Desativar dispositivo de desligamento automático

O instrumento de medição desliga-se automaticamente após 30 min de funcionamento.

Para desativar o dispositivo de desligamento automático, ao ligar o instrumento de medição, prima a tecla do modo vertical (18) ou a tecla do modo horizontal (19) durante 3 s. Se o dispositivo de desligamento automático estiver desativado, os raios laser piscam brevemente após 3 s.

Para ativar o desligamento automático, desligue o instrumento de medição e volte a ligá-lo (sem premir outras teclas).

Modos de operação

O instrumento de medição dispõe de vários modos de operação, entre os quais poderá comutar sempre que desejar. Os modos horizontal e vertical podem ser ligados e desligados de forma independente. Após ser ligado, o instrumento de medição encontra-se no modo horizontal.

Todos os modos de operação podem ser selecionados com nivelamento automático e com imobilização pendular.

Modo horizontal (ver figura B)

No modo horizontal o instrumento de medição emite uma linha laser horizontal para a frente.

Para desligar ou ligar a linha laser horizontal, prima a tecla do modo horizontal (19).

Modo vertical e ponto de prumada (ver figuras C-E)

O instrumento de medição dispõe de vários modos de funcionamento verticais:

- Linha laser vertical para a frente,
- Linha laser vertical para a frente e para o lado direito,
- Linha laser vertical para a frente e para trás,
- Linhas laser verticais para os quatro lados.

Adicionalmente é sempre projetado um ponto de prumada para baixo no modo vertical.

Para ligar ou desligar o modo vertical, bem como para comutar o modo de funcionamento vertical, prima a tecla do modo vertical (18) as vezes necessárias até que seja alcançado o modo de operação desejado.

Modo recetor

Para trabalhar com o recetor laser (22) tem de se ativar o modo recetor independentemente do modo de operação selecionado.

No modo recetor as linhas laser piscam numa frequência muito alta e são assim detetadas pelo recetor laser (22).

Para ligar o modo recetor prima a tecla modo recetor (17). A indicação modo recetor (15) acende-se a vermelho.

Para o olho humano, a visibilidade das linhas laser é reduzida com o modo recetor ligado. Para trabalhar sem recetor laser desligue, por isso, o modo recetor pressionando novamente a tecla modo recetor (17). A indicação modo recetor (15) apaga-se.

Nivelamento automático

Trabalhar com o nivelamento automático

Coloque o instrumento de medição numa base horizontal fixa ou fixe-o na plataforma rotativa (12).

Para trabalhos com nivelamento automático, desloque o interruptor de ligar/desligar (7) para a posição "On". O nivelamento automático elimina automaticamente desníveis dentro da gama de autonivelamento de $\pm 3^\circ$. O nivelamento está concluído, assim que as linhas laser deixaram de se mexer.

Se não for possível efetuar o nivelamento automático, p. ex. porque a superfície de apoio do instrumento de medição se desvia mais de 3° dos planos horizontais, as linhas laser começam a piscar num ritmo acelerado.

Neste caso, coloque o instrumento de medição na horizontal e espere pelo autonivelamento. Assim que o instrumento de medição se encontrar na área de autonivelamento de $\pm 3^\circ$ as linhas laser ficam acesas de modo permanente.

Em caso de vibrações ou de alteração da posição durante o funcionamento, o instrumento de medição volta a ser nivelado automaticamente. Após o nivelamento deverá controlar a posição dos raios laser em relação aos pontos de referência, para evitar erros devido ao deslocamento do instrumento de medição.

Trabalhar com imobilização pendular

Para trabalhos com imobilização pendular, desloque o interruptor de ligar/desligar (7) para a posição "On". A

indicação de imobilização pendular (14) acende a vermelho e as linhas laser piscam de modo contínuo num ritmo lento. Ao trabalhar com imobilização pendular, o nivelamento automático está desligado. Pode segurar o instrumento de medição de forma livre na mão ou colocá-lo numa base inclinada. As linhas laser deixam de estar niveladas e de se mover obrigatoriamente perpendiculares entre elas.

Controlo de exatidão do instrumento de medição

Influências sobre a precisão

A maior influência é exercida pela temperatura ambiente. Especialmente a partir do solo, as diferenças de temperatura podem distrair o raio laser.

Para minimizar influências térmicas devido ao calor ascendente do solo, é recomendada a utilização do instrumento de medição sobre um tripé. De preferência também deverá colocar o instrumento de medição no centro da superfície de trabalho.

Para além das influências externas, também as influências específicas do aparelho (como p. ex. quedas ou pancadas fortes) podem causar desvios. Verifique, por isso, a precisão de nivelamento antes de iniciar o trabalho.

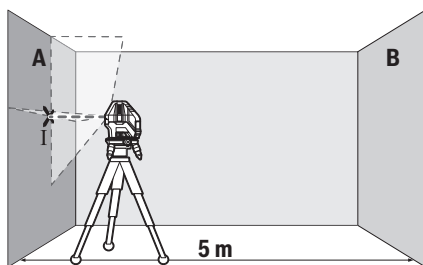
Comece por verificar a precisão da altura e do nivelamento da linha laser horizontal, e depois a precisão de nivelamento da linha laser vertical.

Se o instrumento de medição ultrapassar a divergência máxima num dos controlos, deverá ser reparado por um serviço pós-venda **Bosch**.

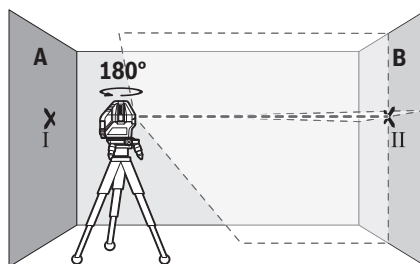
Verificar exatidão da altura da linha horizontal

Para o controlo é necessária uma distância de **5 m** livre de obstáculos, sobre solo firme entre duas paredes A e B.

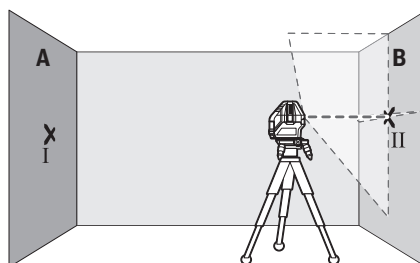
- Monte o instrumento de medição próximo da parede A sobre a plataforma rotativa (12) ou tripé (28), ou coloque-o sobre uma base firme e plana. Ligue o instrumento de medição no modo com nivelamento automático. Ligue o modo horizontal, bem como o modo vertical com uma linha laser vertical para a frente.



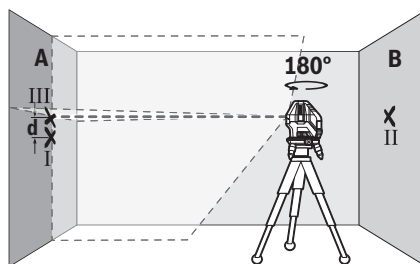
- Apontar o laser para a parede A próxima e permitir que o instrumento de medição possa se nivelar. Marque o centro do ponto onde as linhas laser se cruzam na parede (ponto I).



- Rode o instrumento de medição em 180°, deixe-o nivela e marque o ponto de cruzamento das linhas laser na parede oposta B (ponto II).
- Posicione o instrumento de medição – sem o rodar – próximo da parede B, ligue-o e deixe-o nivelar.



- Alinhe o instrumento de medição em altura (com a ajuda do tripé ou colocando algo por baixo) de forma a que o ponto de cruzamento das linhas laser acerte precisamente no ponto II anteriormente marcado na parede B.



- Rode o instrumento de medição em 180°, sem alterar a altura. Alinhe-o na parede A, de forma a que a linha laser vertical passe pelo ponto I já marcado. Deixe o instrumento de medição nivelar-se e marque o ponto de cruzamento das linhas laser na parede A (ponto III).
- Da diferença **d** dos dois pontos marcados I e III na parede A resulta o desvio de altura real do instrumento de medição.

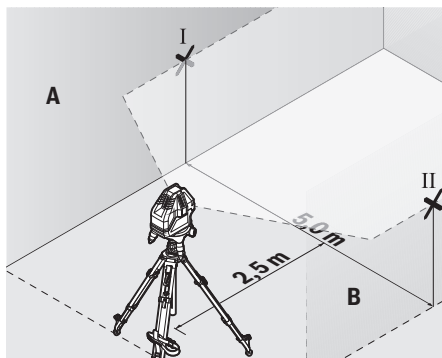
Com um trajeto de medição de $2 \times 5 \text{ m} = 10 \text{ m}$ o desvio máximo permitido é de:

$10 \text{ m} \times \pm 0,2 \text{ mm/m} = \pm 2 \text{ mm}$. A diferença **d** entre os pontos I e III só pode ser no máximo de **2 mm**.

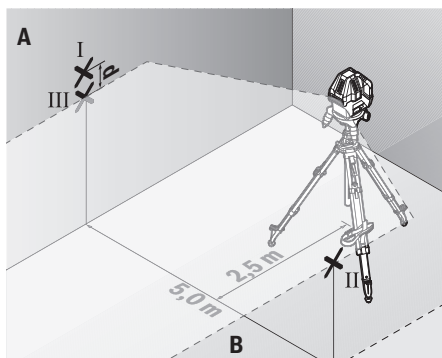
Verificar a precisão de nivelamento da linha horizontal

Para a verificação precisa de uma área livre de aprox. 5×5 m.

- Monte o instrumento de medição ao centro entre as paredes A e B sobre a plataforma rotativa (12) ou tripé (28), ou coloque-o sobre uma base firme e plana. Ligue o instrumento de medição no modo com nivelamento automático. Ligue o modo horizontal e deixe o instrumento de medição proceder ao nivelamento.



- Marque a uma distância de 2,5 m do instrumento de medição em ambas as paredes o meio da linha laser (ponto I na parede A e ponto II na parede B).



- Coloque o instrumento de medição rodado em 180° a 5 m de distância e deixe-o executar a nivelção.
- Alinhe o instrumento de medição em altura (com a ajuda do tripé ou colocando algo por baixo) de forma a que o centro da linha laser acerte precisamente no ponto II anteriormente marcado na parede B.
- Marque na parede A o centro da linha laser como ponto III (na vertical por cima ou por baixo do ponto I).
- Da diferença d dos dois pontos marcados I e III na parede A resulta o desvio de real do instrumento de medição.

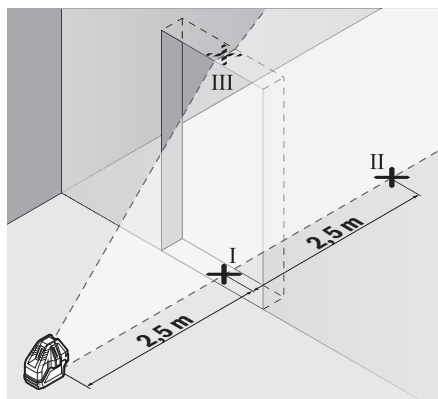
Com um trajeto de medição de $2 \times 5 \text{ m} = 10 \text{ m}$ o desvio máximo permitido é de:

$10 \text{ m} \times \pm 0,2 \text{ mm/m} = \pm 2 \text{ mm}$. A diferença d entre os pontos I e III só pode ser no máximo de 2 mm.

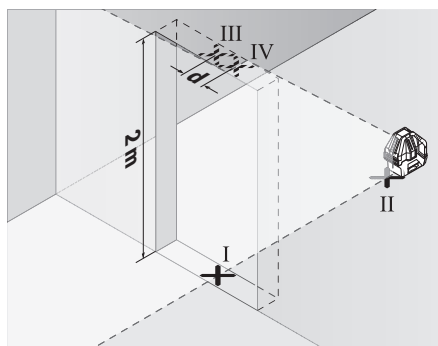
Verificar a precisão de nivelamento da linha vertical

Para o nivelamento é necessário um vão de porta, com no mínimo 2,5 m de espaço de cada lado do vão (sobre chão firme).

- Coloque o instrumento de medição a 2,5 m de distância da abertura da porta sobre uma base firme e plana (não sobre a plataforma rotativa (12) ou um tripé). Ligue o instrumento de medição no modo com nivelamento automático. Ligue o modo vertical com uma linha laser vertical para a frente e alinhe a linha laser com a abertura da porta. Deixe o instrumento de medição executar o nivelamento.



- Marque o meio da linha vertical no chão do vão da porta (ponto I), a 5 m de distância no outro lado do vão da porta (ponto II) assim como no rebordo superior do vão da porta (ponto III).



- Rode o instrumento de medição em 180° e coloque-o no outro lado do vão da porta diretamente por trás do ponto II. Deixe o instrumento de medição nivelar-se e alinhe a linha laser vertical de forma a que o seu centro passe exatamente pelos pontos I e II.
- Marque o centro da linha laser no rebordo superior do vão da porta como ponto IV.
- Da diferença d dos dois pontos marcados III e IV resulta o desvio real do instrumento de medição do plano vertical.

- Medir a altura do vão de porta.

O desvio máximo permitido é calculado da seguinte maneira: altura dupla da abertura da porta × **0,3** mm/m

Exemplo: numa altura de abertura de porta de **2** m o desvio máximo pode ser

$2 \times 2 \text{ m} \times \pm 0,3 \text{ mm/m} = \pm 1,2 \text{ mm}$. Os pontos III e IV podem encontrar-se separados no máximo **1,2** mm entre si.

Instruções de trabalho

- **Use sempre apenas o centro do ponto laser ou da linha laser para marcar.** O tamanho do ponto de laser ou da largura da linha de laser se modificam com a distância.

Trabalhar com a placa-alvo de laser

A placa-alvo de laser **(26)** melhora o raio laser em condições desfavoráveis e distâncias maiores.

A superfície refletora da placa-alvo de laser **(26)** melhora a visibilidade da linha laser, através da superfície transparente, a linha laser também é visível na parte de trás da placa-alvo de laser.

Trabalhar com o tripé (acessório) (ver figura F)

Um tripé assegura uma base de medição estável e ajustável em altura. Para montar o instrumento de medição num tripé, coloque-o na plataforma rotativa **(12)**.

Montagem num tripé de 5/8": coloque a plataforma rotativa com o suporte de tripé de 5/8" **(9)** na rosca de um tripé de 5/8" **(28)** ou de um tripé convencional. Fixe a plataforma rotativa com o parafuso de fixação do tripé.

Montagem num tripé de 1/4" (ver figura F): enrosque o adaptador para tripé **(20)** (acessório) no suporte de tripé de 5/8" **(9)** da plataforma rotativa. Coloque o adaptador para tripé com o suporte de tripé de 1/4" na rosca de um tripé de 1/4" **(21)** ou de um tripé de máquina fotográfica convencional. Fixe o adaptador para tripé com o parafuso de fixação do tripé.

Alinhar aproximadamente o tripé antes de ligar o instrumento de medição.

Trabalhar com recetor laser (acessório)

Nas condições de luminosidade desfavoráveis (ambiente claro, radiação solar direta) e a distância maiores, use o recetor laser **(22)** para detetar melhor as linhas laser. Ao trabalhar como o recetor laser ligue o modo recetor (ver "Modo recetor", Página 29).

Óculos de visualização de raio laser (acessórios)

Os óculos de visualização de raio laser filtram a luz ambiente. Com isto a luz do laser parece mais clara para os olhos.

- **Não use os óculos para laser (acessório) como óculos de proteção.** Os óculos para laser servem para ver melhor o feixe de orientação a laser; mas não protegem contra radiação laser.
- **Não use os óculos para laser (acessório) como óculos de sol ou no trânsito.** Os óculos para laser não providenciam uma proteção UV completa e reduzem a percepção de cores.

Exemplos de trabalho (ver figura B-E)

Pode ver exemplos para possibilidades de utilização do instrumento de medição nas páginas gráficas.

Manutenção e assistência técnica

Manutenção e limpeza

Manter o instrumento de medição sempre limpo.

Não mergulhar o instrumento de medição na água ou em outros líquidos.

Limpar sujidades com um pano húmido e macio. Não utilize detergentes ou solventes.

Limpe particularmente as áreas na abertura de saída do laser com regularidade e certifique-se de que não existem fiapos.

Armazene e transporte o instrumento de medição apenas na bolsa de proteção **(27)**.

Envie o instrumento de medição em caso de reparação na bolsa de proteção **(27)**.

Serviço pós-venda e aconselhamento

O serviço pós-venda responde às suas perguntas a respeito de serviços de reparação e de manutenção do seu produto, assim como das peças sobressalentes. Desenhos explodidos e informações acerca das peças sobressalentes também em: **www.bosch-pt.com**

A nossa equipa de consultores Bosch esclarece com prazer todas as suas dúvidas a respeito dos nossos produtos e acessórios.

Indique para todas as questões e encomendas de peças sobressalentes a referência de 10 dígitos de acordo com a placa de características do produto.

Portugal

Robert Bosch LDA
Avenida Infante D. Henrique
Lotes 2E – 3E
1800 Lisboa

Para efetuar o seu pedido online de peças entre na página **www.ferramentasbosch.com**.

Tel.: 21 8500000

Fax: 21 8511096

Encontra outros endereços da assistência técnica em:

www.bosch-pt.com/serviceaddresses

Eliminação

Os instrumentos de medição, acessórios e embalagens devem ser enviados a uma reciclagem ecológica de matéria-prima.



Não deite o instrumento de medição e as pilhas no lixo doméstico!

Apenas para países da UE:

Conforme a Diretiva Europeia 2012/19/UE relativa aos resíduos de equipamentos elétricos e eletrónicos e a sua implementação na legislação nacional, é necessário recolher separadamente os instrumentos de medição que já não são usados e, de acordo com a Diretiva Europeia 2006/66/CE, as baterias/pilhas defeituosas e encaminhá-los para uma reciclagem ecológica.

No caso de uma eliminação incorreta, os aparelhos elétricos e eletrónicos antigos podem ter efeitos nocivos no ambiente e na saúde humana devido à possível presença de substâncias perigosas.

Türkçe

Güvenlik talimatı



Ölçme cihazı ile tehlikesiz ve güvenli biçimde çalışabilmek için bütün güvenlik talimatı ve uyarılar okunmalıdır. Ölçme cihazı bu güvenlik talimatına uygun olarak

kullanılmazsa, ölçme cihazına entegre koruyucu donanımların işlevi kısıtlanabilir. Ölçme cihazı üzerindeki uyarı etiketlerini hiçbir zaman görünmez duruma getirmeyin. BU TALİMATLARI İYİ VE GÜVENLİ BİR YERDE SAKLAYIN VE ÖLÇME CİHAZINI BAŞKASINA VERDİĞİNİZDE BUNLARI DA BİRLİKTE VERİN.

- ▶ **Dikkat – Burada anılan kullanım ve ayar donanımlarından farklı donanımlar veya farklı yöntemler kullanıldığı takdirde, tehlikeli ışın yayılımına neden olunabilir.**
- ▶ **Bu ölçme cihazı bir lazer uyarı etiketi ile teslim edilir (ölçme cihazının resminin bulunduğu grafik sayfasında gösterilmektedir).**
- ▶ **Lazer uyarı etiketindeki metin kendi dilinizde değilse, ilk kullanımdan önce cihaz ekinde teslim edilen kendi dilinizdeki lazer uyarı etiketini mevcut lazer uyarı etiketi üzerine yapıştırın.**



Lazer ışını başkalarına veya hayvanlara doğrultmayın ve doğrudan gelen veya yansıyan lazer ışınına bakmayın. Aksi takdirde başkalarının gözünü kamaştırabilir, kazalara neden olabilir veya gözlerde hasara neden olabilirsiniz.

- ▶ **Lazer ışını gözünüze gelecek olursa gözlerinizi bilinçli olarak kapatın ve hemen başınızı başka tarafa çevirin.**
- ▶ **Lazer donanımında hiçbir değişiklik yapmayın.**
- ▶ **Lazer gözlüğünü (aksesuar) koruyucu gözlük olarak kullanmayın.** Lazer gözlüğü lazer ışınının daha iyi görülmesini sağlar, ancak lazer ışınına karşı koruma sağlamaz.
- ▶ **Lazer gözlüğünü (aksesuar) güneş gözlüğü olarak veya trafikte kullanmayın.** Lazer gözlüğü kızılötesi

ışınlar karşı tam bir koruma sağlamaz ve renk algılama performansını düşürür.

- ▶ **Ölçme cihazının sadece kalifiye uzman personel tarafından ve orijinal yedek parçalarla onarılmasını sağlayın.** Bu sayede ölçme cihazının güvenliğini sağlarsınız.
- ▶ **Çocukların kontrolünüz dışında lazerli ölçme cihazını kullanmasına izin vermeyin.** İstmeden de olsa kendi gözlerinizin veya başkalarının gözlerinin kamaşmasına neden olabilirsiniz.
- ▶ **Ölçme cihazı ile içinde yanıcı sıvılar, gazlar veya tozlar bulunan patlama riski bulunan ortamlarda çalışmayın.** Ölçme cihazı içinde tozu veya buharları tutuşturabilecek kıvılcıklar oluşabilir.



Ölçüm aletini ve manyetik aksesuarları, implantlara ve kalp pili veya insülin pompası gibi özel tıbbi cihazlara yaklaştırmayın.

Ölçüm aletinin ve aksesuarların mıknatısları, implantların ve tıbbi cihazların fonksiyonlarını olumsuz yönde etkileyebilecek bir alan oluşturur.

- ▶ **Ölçüm aletini ve manyetik aksesuarları, manyetik veri taşıyıcılarından ve manyetik açıdan duyarlı cihazlardan uzak tutun.** Ölçüm aleti ve aksesuarlardaki mıknatısların etkisi ile geriye dönüşü mümkün olmayan veri kayıpları ortaya çıkabilir.

Ürün ve performans açıklaması

Lütfen kullanma kılavuzunun ön kısmındaki resimlere dikkat edin.

Usulüne uygun kullanım

Bu ölçüm aleti, yatay ve dikey çizgiler ile şakül noktalarının belirlenmesi ve kontrol edilmesi için tasarlanmıştır. Bu ölçüm aleti, iç mekanlardaki kullanımlara uygundur. Bu ürün, EN 50689'a uygun bir tüketici lazer ürünüdür.

Şekli gösterilen elemanlar

Şekli gösterilen elemanların numaraları ile grafik sayfasındaki ölçme cihazı resmindeki numaralar aynıdır.

- (1) Lazer ışını çıkış deliği
- (2) Pil haznesi kapağı kilidi
- (3) Pil haznesi kapağı
- (4) Seri numarası
- (5) Lazer uyarı etiketi
- (6) Ölçüm aletinin sabitleme yivleri
- (7) Açma/kapama şalteri
- (8) Döner platformun su terazisi
- (9) Döner platformun 5/8" tripod girişi
- (10) Döner platformun yükseklik ayarlama vidası
- (11) Döner platform hassas ayar vidası
- (12) Döner platform

- (13) Döner platformun sabitleme yivleri
- (14) Salınım sabitlemesi göstergesi
- (15) Algılayıcı mod göstergesi
- (16) Durum göstergesi
- (17) Algılayıcı mod tuşu
- (18) Dikey mod tuşu
- (19) Yatay mod tuşu
- (20) Tripod adaptörü^{a)}
- (21) 1/4" tripod^{a)}
- (22) Lazer alıcı^{a)}
- (23) Miknatis^{a)}
- (24) Lazer alıcı tutucu düzeneği^{a)}
- (25) Lazer gözlüğü^{a)}
- (26) Lazer hedef tahtası^{a)}
- (27) Koruma çantası
- (28) 5/8" tripod^{b)}
- (29) Teleskopik çubuk^{a)}

a) **Şekli gösterilen veya tanımlanan aksesuar standart teslimat kapsamında değildir. Aksesuarın tümünü aksesuar programımızda bulabilirsiniz.**

Teknik veriler

Çizgi lazeri	GLL 5-50 X
Sipariş numarası	3 601 K63 F..
Çalışma alanı ^{A)}	
– Standart lazer çizgileri	15 m
– Alıcı modu ile lazer çizgileri	10 m
– Lazer alıcı ile lazer çizgileri	5–50 m
– Şakül noktası	5 m
Nivelman hassasiyeti ^{B)C)}	
– yatay lazer çizgisi	±0,2 mm/m
– dikey lazer çizgileri	±0,3 mm/m
– Şakül noktası	±0,7 mm/m
Otomatik nivelman aralığı	±3°
Nivelman süresi	< 4 sn
İşletme sıcaklığı	-10 °C ... +45 °C
Saklama sıcaklığı	-20 °C ... +70 °C
Referans yükseklik üzerinde maks. uygulama yüksekliği	2000 m
Bağıl hava nemi maks.	%90
IEC 61010-1 uyarınca kirlenme derecesi	2 ^{D)}
Lazer sınıfı	2
Lazer tipi	< 1 mW, 630–650 nm
C ₆	1
Iraksama	
– Lazer çizgisi	1,5 mrad

Çizgi lazeri	GLL 5-50 X
– Şakül noktası	1,5 mrad
Alıcı modu olmadan çalışma	Süreklili dalga (CW)
En kısa impuls süresi (alıcı modunda çalışma)	0,05 ms
Darbe frekansı (alıcı modunda çalışma)	10 kHz
Tripod girişi ^{E)}	5/8"
Piller	4 × 1,5 V LR6 (AA)
İşletme süresi, yakl. ^{B)}	
– 1 lazer çizgisi ile	24 sa
– 2 lazer çizgisi ile	14 sa
– 3 lazer çizgisi ile	10 sa
– 5 lazer çizgisi ile	6 sa
Ağırlığı	0,54 kg
EPTA-Procedure 01:2014 uyarınca	
Ölçüleri (uzunluk × genişlik × yükseklik)	
– Döner platform olmadan	122 × 83 × 129 mm
– Döner platformlu	Çap 151 × 203 mm
Koruma türü (pil haznesi hariç)	IP54 (toz ve püskürme suyu koruması)

- A) Çalışma alanı elverişsiz ortam koşulları nedeniyle (örneğin doğrudan gelen güneş ışığı) azalabilir.
- B) 20–25 °C'de
- C) Belirtilen değerler normal ile en uygun ortam koşullarını şart koşar (örneğin titreşim, sis, duman, direkt güneş ışını bulunmayacaktır). Aşırı sıcaklık değişikliklerinde hassaslık sapmaları meydana gelebilir.
- D) Zaman zaman yoğunlaşma nedeniyle iletkenlik görülebilmesine rağmen, sadece iletken olmayan bir kirlenme ortaya çıkar.
- E) sadece döner platform ile birlikte mevcut
- Tip etiketi üzerindeki seri numarası **(4)** ölçme cihazının kimliğinin belirlenmesine yarar.

Montaj

Pillerin takılması/değiştirilmesi

Bu ölçme cihazının alkali mangan bataryalarla çalıştırılması tavsiye olunur.

Batarya gözü kapağını **(3)** açmak için kilide **(2)** basın ve batarya gözü kapağını çıkarın. Pilleri yerlerine yerleştirin.

Batarya gözünün iç tarafındaki şekle bakarak doğru kutuplama yapın.

Durum göstergesi **(16)** yanıp sönmeye başladığında pilleri değiştirmeniz gerekir.

Bütün bataryaları daima eşzamanlı olarak değiştirin. Daima aynı üreticinin aynı kapasitedeki bataryalarını kullanın.

- **Uzun süre kullanmayacaksanız pilleri ölçüm aletinden çıkarın.** Piller uzun süre ölçüm aleti içinde kullanım dışı kaldıklarında korozyona uğrayabilir ve kendiliğinden boşalabilir.

Döner platform ile çalışma (bkz. resim A)

Döner platform (12) yardımıyla ölçüm aletini, merkezi ve her zaman görülebilir bir şekli noktası etrafında 360° döndürebilirsiniz. Bu sayede lazer çizgileri, ölçüm aletinin pozisyonu değiştirilmeden hassas biçimde ayarlanabilir.

Ölçüm aletini döner platforma (12), döner platformun sabitleme yivleri (13) ilgili sabitleme yivlerinin (6) arasında ölçüm aletinin alt tarafına girecek şekilde yerleştirin. Ölçüm aletini döner platformda kilitlemek için ölüm aletini saat yönünde döndürün.

Döner platformun (12) bacaklarını yükseklik ayarlama vidalarıyla (10) sökün.

Döner platformu kabaca su terazisinin (8) yardımıyla hizalayın.

Ölçüm aleti döner platforma (12) monte edildiye dikey lazer çizgilerini hassas ayar vidasıyla (11) referans noktalarına tam olarak hizalayabilirsiniz.

İşletim

Çalıştırma

- ▶ **Ölçme cihazını nemden ve doğrudan gelen güneş ışınından koruyun.**
- ▶ **Ölçme cihazını aşırı sıcaklıklara veya sıcaklık dalgalanmalarına maruz bırakmayın.** Örneğin cihazı uzun süre otomobil içinde bırakmayın. Aşırı büyük sıcaklık farkları olduğunda ölçüm cihazının önce ortam sıcaklığına gelmesini sağlayın ve çalışmaya devam etmeden önce daima hassaslık kontrolü yapın (Bakınız „Ölçme cihazının hassaslık kontrolü“, Sayfa 36). Aşırı sıcaklıklarda veya sıcaklık dalgalanmalarında ölçme cihazının hassaslığı olumsuz yönde etkilenebilir.
- ▶ **Ölçme cihazını şiddetli çarpma ve düşmelere karşı koruyun.** Ölçme cihazına dışarıdan şiddetli etki olduğunda, çalışmaya devam etmeden önce daima bir hassaslık kontrolü yapmalısınız (Bakınız „Ölçme cihazının hassaslık kontrolü“, Sayfa 36).
- ▶ **Taşırken ölçme cihazını kapatın.** Kapama işleminde pandül ünitesi kilitlenir, aksi takdirde cihaz şiddetli hareketlerde hasar görebilir.

Açma/kapama

Ölçüm aletini **açmak** için açma/kapama şalterini (7) ilgili "On" (nivelman otomatığı olmadan çalışma için) konumuna itin veya "Off" (nivelman otomatığı ile çalışma için) konumuna getirin. Durum göstergesi (16) yanar. Ölçüm aleti açıldıktan hemen sonra ön çıkış deliğinden (1) yatay lazer çizgisi gönderir.

- ▶ **Lazer ışını başkalarına veya hayvanlara doğrultmayın ve uzak mesafeden de olsa lazer ışınına bakmayın.**

Ölçüm aletini **kapatmak** için açma/kapama şalterini (7) "Off" pozisyonuna itin. Durum göstergesi (16) söner. Cihaz kapanınca pandül birimi kilitlenir.

- ▶ **Açık bulunan ölçme cihazını kontrolünüz dışında bırakmayan ve kullandıktan sonra ölçme cihazını kapatın.** Başkalarının gözü lazer ışını ile kamaşabilir.

45 °C değerindeki izin verilen maksimum çalışma sıcaklığının aşılması durumunda, lazer diyetlerini korumak üzere cihaz kapanır. Soğuduktan sonra ölçüm aleti tekrar işletmeye hazır duruma gelir ve tekrar açılabilir.

Otomatik kapanmanın devre dışı bırakılması

Ölçüm aleti 30 dakikalık işletme süresinden sonra otomatik olarak kapanır.

Otomatik kapanmayı devre dışı bırakmak için, ölçüm aletini çalıştırırken ya dikey mod tuşunu (18) yatay mod tuşunu (19) 3 sn süre ile basılı tutun. Otomatik kapanma devre dışı bırakıldığında, lazer ışınları yaklaşık 3 sn sonra kısaca yanıp söner.

Otomatik kapama işlevini etkin duruma getirmek için ölçüm aletini kapatın ve tekrar açın (tuşa basılı olmadan).

İşletim türleri

Bu ölçüm aletinin birçok işletim türü vardır ve bunlar arasında istediğiniz zaman değişiklik yapabilirsiniz. Yatay ve dikey modlar birbirinden bağımsız olarak açılabilir ve kapatılabilir. Açıldıktan sonra ölçüm aleti yatay moddadır. Bütün işletme türleri hem nivelman otomatığı ile hem de salınım sabitlemesi ile seçilebilir.

Yatay mod (bkz. resim B)

Yatay modda ölçüm aleti yatay lazer çizgilerini öne doğru gönderir.

Yatay lazer çizgilerini açma ve kapatmak için yatay mod tuşuna (19) basın.

Dikey mod ve şakül noktası (bkz. resimler C-E)

Ölçüm aleti çok sayıda dikey moda sahiptir:

- Öne doğru dikey lazer çizgisi,
- Öne ve sağ tarafa doğru dikey lazer çizgisi,
- Öne ve arkaya doğru dikey lazer çizgisi,
- Dört tarafa doğru dikey lazer çizgileri.

Dikey modda ek olarak daima şakül noktası aşağı doğru yansıtılır.

Dikey modun açılması veya kapatılması ayrıca dikey moda geçmek için dikey mod tuşuna (18) istenen moda ulaşılan kadar basın.

Algılayıcı modu

Lazer algılayıcı (22) ile çalışmak için – seçilen işletme türünden bağımsız olarak – algılayıcı modunun etkinleştirilmesi gerekir.

Algılayıcı modunda lazer çizgileri çok yüksek bir frekansla yanıp söner ve bu sayede lazer algılayıcı (22) tarafından bulunabilir.

Algılayıcı modunu açmak için algılayıcı mod tuşuna (17) basın. Algılayıcı mod göstergesi (15) kırmızı olarak yanar.

Algılayıcı modu açık durumda iken lazer çizgilerinin insan gözü tarafından görünürlüğü kısıtlıdır. Lazer algılayıcı olmadan çalışmak için algılayıcı mod tuşuna (17) tekrar

basarak algılayıcı modunu kapatın. Algılayıcı modu göstergesi (15) söner.

Nivelman otomatığı

Nivelman otomatığı ile çalışma

Ölçüm aletini yatay ve sabit bir zemine yerleştirin veya döner platforma (12) sabitleyin.

Nivelman otomatığı ile çalışmak için açma/kapama şalterini (7) "On" pozisyonuna itin.

Nivelman otomatığı (otomatik nivelman fonksiyonu) $\pm 3^\circ$ 'lik otomatik nivelman alanındaki sapmaları dengeler. Lazer çizgileri hareketsiz duruma geldiğinde nivelman tamamlanmış demektir.

Otomatik seviyeleme mümkün değilse (örneğin ölçüm aletinin bulunduğu yüzey, yatay konumdan 3° üzerinde fazla sapma gösteriyorsa) lazer ışınları hızlı bir tempoda yanıp söner.

Bu gibi durumlarda ölçme aletini yatay olarak yerleştirin ve otomatik nivelmanın tamamlanmasını bekleyin. Ölçme aleti $\pm 3^\circ$ değerindeki otomatik nivelman aralığı içindeyse lazer ışınları sürekli yanar.

İşletme esnasındaki sarsıntılarda veya konum değişikliklerinde ölçüm aleti tekrar otomatik olarak nivelman yapar. Ölçüm aletinin kaymasından kaynaklanan hataları önlemek için seviyeleme sonrasında, referans noktalara bağlı olarak lazer ışınlarının konumunu kontrol edin.

Salınım sabitlemesi ile çalışma

Salınım sabitlemesi ile çalışmak için açma/kapama şalterini (7) „On“ açık pozisyonuna itin. Salınım sabitlemesi göstergesi (14) kırmızı yanar ve lazer çizgileri sürekli olarak yavaş yanıp söner.

Salınım sabitlemesi ile çalışırken nivelman otomatığı kapalıdır. Ölçüm aletini serbestçe elinizde tutabilirsiniz veya eğimli bir zemine yerleştirebilirsiniz. Bu durumda lazer ışınlarının nivelman ayarı yapılmaz ve zorunlu olarak birbirine dik seyretmez.

Ölçme cihazının hassaslık kontrolü

Hassaslık üzerine olan etkiler

En büyük etkiyi ortam sıcaklığı yapar. Özellikle zeminden yukarı doğru seyreden sıcaklık farkları lazer ışını saptırabilir.

Zeminden yükselen ısıdan kaynaklanan termal etkileri en aza indirmek için, ölçüm aletinin bir tripod üzerinde kullanılması tavsiye edilir. Mümkünse ölçüm aletini çalışma yerinin ortasına yerleştirin.

Dış etkiler yanında cihaza özgü etkiler de (örneğin düşme veya şiddetli çarpmalar) sapmalara neden olabilir. Bu nedenle çalışma başlamadan önce her defasında nivelman hassaslığını kontrol edin.

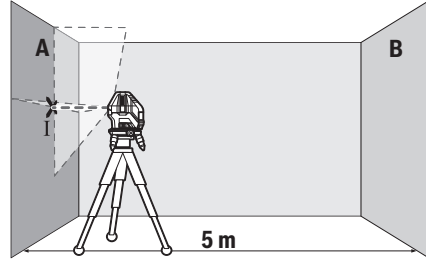
Önce yatay lazer ışınının yüksekliğini ve nivelman hassasiyetini, sonra da dikey lazer ışınlarının nivelman hassasiyetini kontrol edin.

Yaptığınız kontrollerde ölçüm aleti maksimum sapma sınırını aşacak olursa, cihazı bir **Bosch** müşteri hizmetine onarımına gönderin.

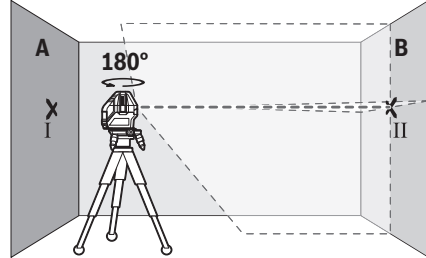
Yatay ışın yükseklik hassasiyetinin kontrol edilmesi

Bu kontrol işlemi için A ve B duvarları arasında 5 m'lik serbest bir ölçme hattına ihtiyacınız vardır.

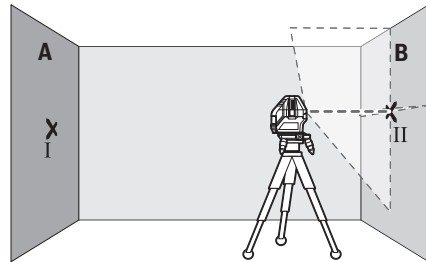
- Ölçüm aletini A duvarının yakınına döner platforma (12) veya tripoda (28) takın veya sert, düz bir zemine yerleştirin. Ölçüm aletini nivelman otomatikli işletmede açın. Yatay modu ve dikey modu öne dik lazer çizgileri ile açın.



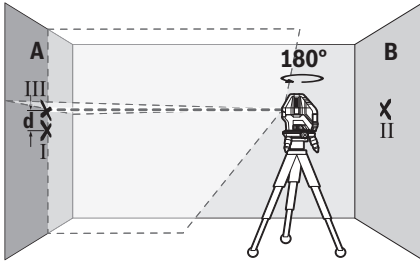
- Lazeri A duvarına yakın olarak doğrultun ve ölçme cihazının nivelman yapmasını bekleyin. Lazer ışınlarının duvarda kesiştiği noktanın ortasını işaretleyin (Nokta I).



- Ölçme cihazını 180° çevirin, nivelman yapmasını bekleyin ve karşı duvarda B lazer ışınlarının kesiştiği noktayı işaretleyin (Nokta II).
- Ölçme cihazını – çevirmeden – B duvarının yakınına yerleştirin, cihazı açın ve nivelman yapmasını bekleyin.



- Ölçme cihazının yüksekliğini (tripod yardımı ile ve gerekiyorsa besleyerek) lazer çizgilerinin kesiştiği nokta tam olarak B duvarında işaretlenen Nokta II'ye denk gelecek biçimde ayarlayın.

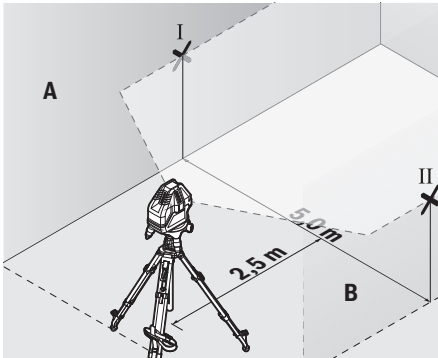


- Yüksekliği değiştirmeden, ölçme cihazını 180° çevirin. Cihazı A duvarına, dikey lazer ışını işaretlenen Nokta I'den geçecek biçimde doğrultun. Ölçme cihazının nivelman yapmasını bekleyin ve A duvarında lazer ışınlarının keşiştiği noktayı işaretleyin (Nokta III).
- A duvarında işaretlenen I ve III noktaları arasındaki **d** farkı, ölçme cihazının gerçek yükseklik sapmasını verir.
 $2 \times 5 \text{ m} = 10 \text{ m}$ ölçüm hattında izin verilen maksimum sapma:
 $10 \text{ m} \times \pm 0,2 \text{ mm/m} = \pm 2 \text{ mm}$. Nokta I ve III arasındaki **d** farkı en fazla 2 mm olmalıdır.

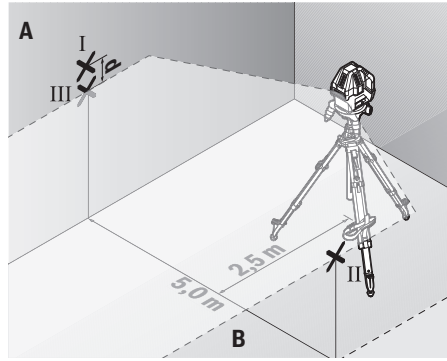
Yatay ışın nivelman hassasiyetinin kontrol edilmesi

Bu kontrol için yakl. 5×5 m'lik boş bir alana ihtiyacınız vardır.

- Ölçüm aletini A ve B duvarları ortasında döner platforma (**12**) veya tripoda (**28**) yerleştirin veya sağlam düz bir zemine yerleştirin. Ölçüm aletini nivelman otomatikli işletmede açın. Yatay modu açın ve ölçüm aletinin nivelman yapmasını bekleyin.



- Ölçüm aletinden 2,5 m uzaklıkta, her iki duvarda ilgili lazer çizgisinin orta noktasını işaretleyin (nokta I duvar A için ve nokta II duvar B için).

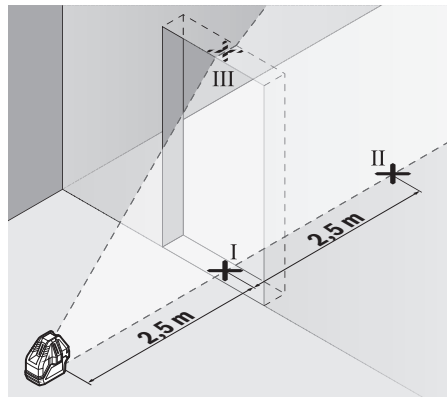


- Ölçüm aletini 180° döndürerek 5 m mesafede konumlandırın ve seviyelme yapmasını sağlayın.
- Ölçüm aletinin yüksekliğini (tripod yardımıyla veya altına destek koyarak), lazer çizgisinin orta noktası önceden işaretlenen nokta II duvar B'ye denk gelecek şekilde ayarlayın.
- Duvar A'da lazer çizgisinin orta noktasını ilgili nokta III olarak işaretleyin (dikey konumda nokta I'in üzerinde veya altında).
- A duvarında işaretlenen I ve III noktalarının farkı **d**, ölçüm aletinin yataydan gerçek sapmasını verir.
 $2 \times 5 \text{ m} = 10 \text{ m}$ ölçüm hattında izin verilen maksimum sapma:
 $10 \text{ m} \times \pm 0,2 \text{ mm/m} = \pm 2 \text{ mm}$. Nokta I ve III arasındaki **d** farkı en fazla 2 mm olmalıdır.

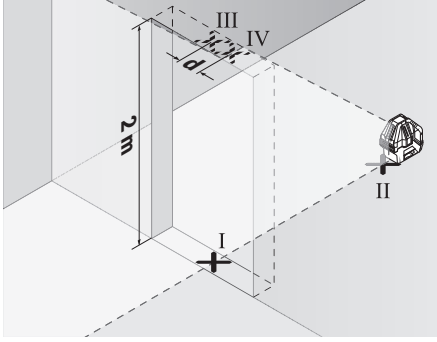
Dikey ışın nivelman hassasiyetinin kontrol edilmesi

Bu kontrol işlemi için her iki tarafında en azından 2,5 m yer olan bir kapı aralığına (sert zemin üzerinde) ihtiyacınız vardır.

- Ölçüm aletini kapı aralığından 2,5 m mesafeye sert ve düz bir zemine yerleştirin (döner platforma (**12**) veya tripoda değil). Ölçüm aletini nivelman otomatikli işletmede açın. Dikey modu öne doğru dikey lazer çizgileri ile açın ve lazer çizgilerini kapı aralığına yönlendirin. Ölçüm aletinin nivelman yapmasını bekleyin.



- Kapı aralığı zeminindeki dikey lazer çizgisinin ortasını işaretleyin (Nokta I), kapı aralığının diğer tarafında 5 m mesafedeki noktayı (Nokta II) ve kapı aralığı üst kenarındaki noktayı (Nokta III) işaretleyin.



- Ölçme cihazını 180° çevirin ve kapı aralığının diğer tarafında doğrudan Nokta II'nin arkasına yerleştirin. Ölçme cihazının nivelman yapmasını bekleyin ve dikey lazer ışını, Nokta I ve Nokta II'den geçecek biçimde doğrultun.
- Kapı aralığı üst kenarında lazer ışınının ortasını Nokta IV olarak işaretleyin.
- İşaretlenen III ve IV noktaları arasındaki **d** farkı ölçme cihazının dikeylikten gerçek sapmasını verir.
- Kapı aralığının yüksekliğini ölçün.

İzin verilen maksimum sapma şu şekilde hesaplanır:

Kapı aralığı yüksekliğinin iki katı × **0,3** mm/m

Örnek: Kapı aralığı yüksekliği **2** m ise, maksimum sapma $2 \times 2 \text{ m} \times \pm 0,3 \text{ mm/m} = \pm 1,2 \text{ mm}$ olmalıdır. Nokta III ve IV birbirinden en fazla **1,2** mm ayrı olmalıdır.

Çalışırken dikkat edilecek hususlar

- ▶ **İşaretlemek için her zaman lazer noktasının veya lazer çizgisinin ortasını kullanın.** Lazer noktasının büyüklüğü veya lazer çizgisinin genişliği, ilgili mesafe ile değişiklik gösterir.

Lazer hedef tablası ile çalışma

Lazer hedef tablası (**26**) elverişsiz koşullarda ve uzak mesafelerde lazer ışınının görünürlüğünü iyileştirir.

Lazer hedef tahtasının (**26**) yansımaya yapan yüzeyi lazer çizgisinin görünürlüğünü iyileştirir, saydam yüzeyi ise lazer çizgisinin hedef tablasının arkasında da görünmesine olanak sağlar.

Tripod ile çalışma (aksesuar) (bkz. Resim F)

Tripod stabil ve yüksekliği ayarlanabilir bir ölçme zemini sağlar. Ölçüm aletinin tripoda montajı için ölçüm aletini döner platforma (**12**) yerleştirin.

5/8" tripoda montaj: Döner platformu 5/8" tripod girişiyle (**9**) 5/8" tripodun (**28**) dışına veya piyasada bulunan yapı tripoduna yerleştirin. Döner platformu tripodun sabitleme vidası ile sıkıca vidalayın.

1/4" tripoda (bkz. resim F) montaj: Tripod adaptörünü (**20**) (aksesuar) 5/8" tripod girişine (**9**) vidalayın. Tripod adaptörünü 1/4" tripod girişi 1/4" tripodun (**21**) dişli yuvasına veya piyasada bulunan bir fotoğraf tripodunun yuvasına takın. Tripod adaptörünü tripodun sabitleme vidası ile sıkıca vidalayın.

Ölçme cihazını açmadan önce tripodu kabaca doğrultun.

Lazer alıcı (aksesuar) ile çalışma

Elverişsiz aydınlatma koşullarında (aydınlık ortam, doğrudan gelen güneş ışığı) ve uzak mesafelerde lazer çizgisini daha iyi bulabilmek için lazer algılayıcı (**22**) kullanın. Lazer algılayıcı ile çalışırken algılayıcı modunu açın (Bakınız „Algılayıcı modu“, Sayfa 35).

Lazer gözlüğü (aksesuar)

Lazer gözlüğü ortam ışığını filtre eder. Bu nedenle lazer ışığı göze daha parlak gelir.

- ▶ **Lazer gözlüğünü (aksesuar) koruyucu gözlük olarak kullanmayın.** Lazer gözlüğü lazer ışınının daha iyi görülmesini sağlar, ancak lazer ışınına karşı koruma sağlamaz.

- ▶ **Lazer gözlüğünü (aksesuar) güneş gözlüğü olarak veya trafikte kullanmayın.** Lazer gözlüğü kızılötesi ışınlarla karşı tam bir koruma sağlamaz ve renk algılama performansını düşürür.

İş örnekleri (Bakınız: resimler B-E)

Ölçme cihazının uygulama örnekleri için grafik sayfalarına bakın.

Bakım ve servis

Bakım ve temizlik

Ölçme cihazını her zaman temiz tutun.

Ölçme cihazını suya veya başka sıvılar içine daldırmayın.

Kirleri nemli, yumuşak bir bezle silin. Deterjan veya çözücü madde kullanmayın.

Özellikle çıkış deliği yakınındaki yüzeyi düzenli aralıklarla temizleyin ve bunu yaparken tüylenme olmamasına dikkat edin.

Ölçüm aletini sadece koruma çantası (**27**) içinde saklayın ve taşıyın.

Onarım gerektiğinde ölçme cihazını koruyucu çanta (**27**) içinde gönderin.

Müşteri servisi ve uygulama danışmanlığı

Müşteri servisleri ürününüzün onarım ve bakımı ile yedek parçalarına ait sorularınızı yanıtladılar. Tehlike işaretlerini ve yedek parçalara ait bilgileri şu sayfada da bulabilirsiniz:

www.bosch-pt.com

Bosch uygulama danışma ekibi ürünlerimiz ve aksesuarları hakkındaki sorularınızda sizlere memnuniyetle yardımcı olur.

Bütün başvuru ve yedek parça siparişlerinizde ürünün tip etiketi üzerindeki 10 haneli malzeme numarasını mutlaka belirtin.

Türkiye

Marmara Elektrikli El Aletleri Servis Hizmetleri Sanayi ve Ticaret Ltd. Şti.

Tersane cd. Zencefil Sok.No:6 Karaköy
Beyoğlu / İstanbul

Tel.: +90 212 2974320

Fax: +90 212 2507200

E-mail: info@marmarabps.com

Bağrıaçıklar Oto Elektrik

Motorlu Sanayi Çarşısı Doğruer Sk. No:9
Selçuklu / Konya

Tel.: +90 332 2354576

Tel.: +90 332 2331952

Fax: +90 332 2363492

E-mail: bagriaciklarotoelektrik@gmail.com

Akgül Motor Bobinaj San. Ve Tic. Ltd. Şti
Alaaddinbey Mahallesi 637. Sokak No:48/C

Niğde / Bursa

Tel: +90 224 443 54 24

Fax: +90 224 271 00 86

E-mail: info@akgulbobinaj.com

Ankaralı Elektrik

Eski Sanayi Bölgesi 3. Cad. No: 43
Kocasinan / KAYSERİ

Tel.: +90 352 3364216

Tel.: +90 352 3206241

Fax: +90 352 3206242

E-mail: gunay@ankarali.com.tr

Asal Bobinaj

Eski Sanayi Sitesi Barbaros Cad. No: 24/C
Canik / Samsun

Tel.: +90 362 2289090

Fax: +90 362 2289090

E-mail: bpsasalbobinaj@hotmail.com

Aygem Elektrik Makine Sanayi ve Tic. Ltd. Şti.

10021 Sok. No: 11 AOSB

Çiğli / İzmir

Tel.: +90232 3768074

Fax: +90 232 3768075

E-mail: boschservis@aygem.com.tr

Bakırçioğlu Elektrik Makine Hırdavat İnşaat Nakliyat Sanayi ve Ticaret Ltd. Şti.

Karaağaç Mah. Sümerbank Cad. No:18/4

Merkez / Erzincan

Tel.: +90 446 2230959

Fax: +90 446 2240132

E-mail: bilgi@korfezelektrik.com.tr

Bosch Sanayi ve Ticaret A.Ş.

Elektrikli El Aletleri

Aydınlevler Mah. İnönü Cad. No: 20

Küçükyalı Ofis Park A Blok

34854 Maltepe-İstanbul

Tel.: 444 80 10

Fax: +90 216 432 00 82

E-mail: iletisim@bosch.com.tr

www.bosch.com.tr

Bulsan Elektrik

İstanbul Cad. Devrez Sok. İstanbul Çarşısı

No: 48/29 İskitler

Ulus / Ankara

Tel.: +90 312 3415142

Tel.: +90 312 3410302

Fax: +90 312 3410203

E-mail: bulsanbobinaj@gmail.com

Çözüm Bobinaj

Kuşet San.Sit.A Blok 11Nolu Cd.No:49/A

Şehitkamil/Gaziantep

Tel.: +90 342 2351507

Fax: +90 342 2351508

E-mail: cozumbobinaj2@hotmail.com

Onarım Bobinaj

Raif Paşa Caddesi Çay Mahallesi No:67

İskenderun / HATAY

Tel: +90 326 613 75 46

E-mail: onarim_bobinaj31@myynet.com

Faz Makine Bobinaj

Cumhuriyet Mah. Sanayi Sitesi Motor

İşleri Bölümü 663 Sk. No:18

Murat Paşa / Antalya

Tel.: +90 242 3465876

Tel.: +90 242 3462885

Fax: +90 242 3341980

E-mail: info@fazmakina.com.tr

Günşah Otomotiv Elektrik Endüstriyel Yapı Malzemeleri San ve Tic. Ltd. Şti

Beylikdüzü Sanayi Sit. No: 210

Beylikdüzü / İstanbul

Tel.: +90 212 8720066

Fax: +90 212 8724111

E-mail: gunsaelektrik@ttmail.com

Sezmen Bobinaj Elektrikli El Aletleri İmalatı San ve Tic. Ltd. Şti.

Ege İş Merkezi 1201/4 Sok. No: 4/B

Yenişehir / İzmir

Tel.: +90 232 4571465

Tel.: +90 232 4584480

Fax: +90 232 4573719

E-mail: info@sezmenbobinaj.com.tr

Üstündağ Bobinaj ve Soğutma Sanayi

Nusretiye Mah. Boyacılar Aralığı No: 9

Çorlu / Tekirdağ

Tel.: +90 282 6512884

Fax: +90 282 6521966

E-mail: info@ustundagsogutma.com

İŞIKLAR ELEKTRİK BOBİNAJ

Karasoku Mahallesi 28028. Sokak No:20/A

Merkez / ADANA

Tel.: +90 322 359 97 10 - 352 13 79

Fax: +90 322 359 13 23

E-mail: isiklar@isiklarelektrik.com

Diğer servis adreslerini şurada bulabilirsiniz:

www.bosch-pt.com/serviceaddresses

Tasfiye

Ölçme cihazları, aksesuar ve ambalaj malzemesi çevre dostu tasfiye amacıyla bir geri dönüşüm merkezine yollanmalıdır.



Ölçme cihazını ve bataryaları evsel çöplerin içine atmayın!

Sadece AB ülkeleri için:

Atık elektrikli ve elektronik cihazlara ilişkin 2012/19/EU sayılı Avrupa yönetmeliği ve ulusal hukuktaki uygulaması uyarınca, kullanım ömrünü tamamlamış ölçme aletleri ve 2006/66/EC sayılı Avrupa yönetmeliği uyarınca arızalı veya kullanım ömrünü tamamlamış aküler/piller ayrı ayrı toplanmalı ve çevre kurallarına uygun şekilde imha edilmek üzere bir geri dönüşüm merkezine gönderilmelidir.

Atık elektrikli ve elektronik ekipmanlar uygun şekilde imha edilmezse olası tehlikeli maddelerin varlığı nedeniyle çevre ve insan sağlığı üzerinde zararlı etkileri olabilir.

Русский**Только для стран Евразийского экономического союза (Таможенного союза)**

В состав эксплуатационных документов, предусмотренных изготовителем для продукции, могут входить настоящее руководство по эксплуатации, а также приложения. Информация о подтверждении соответствия содержится в приложении.

Информация о стране происхождения указана на корпусе изделия и в приложении.

Дата изготовления указана на последней странице обложки Руководства или на корпусе изделия.

Контактная информация относительно импортера содержится на упаковке.

Срок службы изделия

Срок службы изделия составляет 7 лет. Не рекомендуется к эксплуатации по истечении 5 лет хранения с даты изготовления без предварительной проверки (дату изготовления см. на этикетке).

Перечень критических отказов и ошибочные действия персонала или пользователя

- не использовать при появлении дыма непосредственно из корпуса изделия
- не использовать на открытом пространстве во время дождя (в распыляемой воде)
- не включать при попадании воды в корпус

Критерии предельных состояний

- поврежден корпус изделия

Тип и периодичность технического обслуживания

Рекомендуется очистить инструмент от пыли после каждого использования.

Хранение

- необходимо хранить в сухом месте
- необходимо хранить вдали от источников повышенных температур и воздействия солнечных лучей
- при хранении необходимо избегать резкого перепада температур
- если инструмент поставляется в мягкой сумке или пластиковом кейсе рекомендуется хранить инструмент в этой защитной упаковке
- подробные требования к условиям хранения смотрите в ГОСТ 15150-69 (Условие 1)

Транспортировка

- категорически не допускается падение и любые механические воздействия на упаковку при транспортировке
- при разгрузке/погрузке не допускается использование любого вида техники, работающей по принципу зажима упаковки
- подробные требования к условиям транспортировки смотрите в ГОСТ 15150-69 (Условие 5)

Указания по технике безопасности

Для обеспечения безопасной и надежной работы с измерительным инструментом должны быть прочитаны и соблюдаться все инструкции. Использование измерительного инструмента не в соответствии с настоящими указаниями чревато повреждением интегрированных защитных механизмов. Никогда не изменяйте до неузнаваемости предупредительные таблички на измерительном инструменте. **ХОРОШО СОХРАНИТЕ ЭТИ ИНСТРУКЦИИ И ПЕРЕДАВАЙТЕ ИХ ВМЕСТЕ С ПЕРЕДАЧЕЙ ИЗМЕРИТЕЛЬНОГО ИНСТРУМЕНТА.**

Использование измерительного инструмента не в соответствии с настоящими указаниями чревато повреждением интегрированных защитных механизмов. Никогда не изменяйте до неузнаваемости предупредительные таблички на измерительном инструменте. **ХОРОШО СОХРАНИТЕ ЭТИ ИНСТРУКЦИИ И ПЕРЕДАВАЙТЕ ИХ ВМЕСТЕ С ПЕРЕДАЧЕЙ ИЗМЕРИТЕЛЬНОГО ИНСТРУМЕНТА.**

- ▶ **Осторожно** – применение инструментов для обслуживания или юстировки или процедур техобслуживания, кроме указанных здесь, может привести к опасному воздействию излучения.
- ▶ Измерительный инструмент поставляется с предупредительной табличкой лазерного излучения (показана на странице с изображением измерительного инструмента).
- ▶ Если текст предупредительной таблички лазерного излучения не на Вашем родном языке, перед первым запуском в эксплуатацию заклейте ее наклейкой на Вашем родном языке, которая входит в объем поставки.



Не направляйте луч лазера на людей или животных и сами не смотрите на прямой или отражаемый луч лазера. Этот луч может слепить людей, стать причиной несчастного случая или повредить глаза.

- ▶ **В случае попадания лазерного луча в глаз глаза нужно намеренно закрыть и немедленно отвернуться от луча.**
- ▶ **Не меняйте ничего в лазерном устройстве.**
- ▶ **Не используйте очки для работы с лазерным инструментом (принадлежность) в качестве защитных очков.** Очки для работы с лазерным инструментом обеспечивают лучшее распознавание лазерного луча, но не защищают от лазерного излучения.
- ▶ **Не используйте очки для работы с лазерным инструментом (принадлежность) в качестве солнцезащитных очков или за рулем.** Очки для работы с лазером не обеспечивают защиту от УФ-излучения и мешают правильному цветосприятию.
- ▶ **Ремонт измерительного инструмента разрешается выполнять только квалифицированному персоналу и только с использованием оригинальных запчастей.** Этим обеспечивается безопасность измерительного инструмента.
- ▶ **Не позволяйте детям пользоваться лазерным измерительным инструментом без присмотра.** Дети могут по неосторожности ослепить себя или посторонних людей.
- ▶ **Не работайте с измерительным инструментом во взрывоопасной среде, поблизости от горючих жидкостей, газов и пыли.** В измерительном инструменте могут образоваться искры, от которых может воспламениться пыль или пары.



Не устанавливайте измерительный инструмент и магнитные принадлежности вблизи имплантатов и прочих медицинских аппаратов, напр., кардиостимуляторов и инсулиновых насосов. Магниты измерительного инструмента и принадлежности создают поле, которое может отрицательно влиять на работу имплантатов и медицинских аппаратов.

- ▶ **Держите измерительный инструмент и магнитные принадлежности вдали от магнитных носителей данных и от приборов, чувствительных к магнитному полю.** Воздействие магнитов измерительного инструмента и принадлежностей может привести к необратимой потере данных.

Описание продукта и услуг

Пожалуйста, соблюдайте иллюстрации в начале руководства по эксплуатации.

Применение по назначению

Измерительный инструмент предназначен для определения и проверки горизонтальных и вертикальных линий и отвесов.

Измерительный инструмент предназначен для использования внутри помещений.

Данный продукт является потребительским лазерным изделием в соответствии с EN 50689.

Изображенные составные части

Нумерация представленных составных частей выполнена по изображению измерительного инструмента на странице с иллюстрациями.

- (1) Отверстие для выхода лазерного луча
- (2) Фиксатор крышки батарейного отсека
- (3) Крышка батарейного отсека
- (4) Серийный номер
- (5) Предупредительная табличка лазерного излучения
- (6) Крепежные канавки измерительного инструмента
- (7) Выключатель
- (8) Ватерпас поворотной платформы
- (9) Гнездо под штатив 5/8" поворотной платформы
- (10) Регулируемые по высоте винты поворотной платформы
- (11) Винт точной регулировки поворотной платформы
- (12) Поворотная платформа
- (13) Крепежные канавки поворотной платформы
- (14) Индикатор фиксатора маятника
- (15) Индикатор режима работы с приемником
- (16) Индикатор состояния
- (17) Кнопка режима работы с приемником
- (18) Кнопка вертикального режима работы
- (19) Кнопка горизонтального режима работы
- (20) Адаптер под штатив^{a)}
- (21) Штатив 1/4^{на)}
- (22) Лазерный приемник^{a)}
- (23) Магнит^{a)}
- (24) Держатель лазерного приемника^{a)}
- (25) Очки для работы с лазерным инструментом^{a)}
- (26) Визирная марка для лазерного луча^{a)}
- (27) Защитный чехол
- (28) Штатив 5/8^{на)}
- (29) Телескопический шест^{a)}

a) **Изображенные или описанные принадлежности не входят в стандартный объем поставки. Полный ассортимент принадлежностей см. в нашей программе принадлежностей.**

Технические данные

Линейный лазерный нивелир	GLL 5-50 X
Товарный номер	3 601 K63 F..
Рабочий диапазон ^{a)}	
– Лазерные линии, стандартные	15 м

Линейный лазерный нивелир	GLL 5-50 X
– Лазерные линии в режиме работы с приемником	10 м
– Лазерные линии с лазерным приемником	5–50 м
– Отвес вниз	5 м
Точность нивелирования ^{В)С)}	
– Горизонтальная лазерная линия	± 0,2 мм/м
– Вертикальные лазерные линии	± 0,3 мм/м
– Отвес вниз	± 0,7 мм/м
Диапазон самонивелирования	± 3°
Время нивелирования	< 4 с
Рабочая температура	–10 °C ... +45 °C
Температура хранения	–20 °C ... +70 °C
Макс. высота применения над реперной высотой	2000 м
Относительная влажность воздуха не более	90 %
Степень загрязненности согласно IEC 61010-1	2 ^{DI}
Класс лазера	2
Тип лазера	< 1 мВт, 630–650 нм
C _в	1
Расхождение	
– Лазерная линия	1,5 мрад
– Отвес вниз	1,5 мрад
Режим работы без приемника	Непрерывное излучение (CW)
Минимальная длительность импульса (режим работы с приемником)	0,05 мс
Частота пульсаций (режим работы с приемником)	10 кГц
Гнездо под штатив ^{E)}	5/8"
Батарейки	4 × 1,5 В LR6 (AA)
Время работы прим. ^{B)}	
– С 1 лазерной линией	24 ч
– С 2 лазерными линиями	14 ч
– С 3 лазерными линиями	10 ч
– С 5 лазерными линиями	6 ч
Масса согласно EPTA-Procedure 01:2014	0,54 кг
Размеры (длина x ширина x высота)	
– Без поворотной платформы	122 × 83 × 129 мм
– С поворотной платформой	∅ 151 × 203 мм

Линейный лазерный нивелир	GLL 5-50 X
Степень защиты (кроме отсека для батарей)	IP54 (с защитой от пыли и брызг воды)
A) Рабочий диапазон может уменьшаться вследствие неблагоприятных окружающих условий (напр., прямых солнечных лучей).	
B) при 20–25 °C	
C) Для указанных значений условия окружающей среды должны быть в диапазоне от нормальных до благоприятных (напр., отсутствие вибрации, отсутствие тумана, отсутствие дыма, отсутствие прямых солнечных лучей). После сильных перепадов температуры возможны отклонения в точности.	
D) Обычно присутствует только непроводящее загрязнение. Однако, как правило, возникает временная проводимость, вызванная конденсацией.	
E) доступен только в комбинации с поворотной платформой	
Однозначная идентификация измерительного инструмента возможна по серийному номеру (4) на заводской табличке.	

Сборка

Вставка/замена батареек

В измерительном инструменте рекомендуется использовать щелочно-марганцевые батарейки.

Чтобы открыть крышку батарейного отсека (3), нажмите на фиксатор (2) и снимите крышку батарейного отсека. Вставьте батарейки.

Следите при этом за правильным направлением полюсов в соответствии с изображением с внутренней стороны батарейного отсека.

При мигании индикатора состояния (16) необходимо поменять батарейки.

Меняйте сразу все батарейки одновременно. Используйте только батарейки одного производителя и одинаковой емкости.

► **Извлекайте батарейки из измерительного инструмента, если продолжительное время не будете работать с ним.** При длительном хранении в измерительном инструменте возможна коррозия и саморазрядка батареек.

Работа с поворотной платформой (см. рис. А)

При помощи поворотной платформы (12) измерительный инструмент можно поворачивать на 360° вокруг центральной, постоянно видимой оси отвеса. Это позволяет точно настроить лазерные линии, контролируемо изменяя положение измерительного инструмента.

Поместите измерительный инструмент на поворотную платформу (12) таким образом, чтобы крепежные канавки (13) поворотной платформы прошли между соответствующими крепежными канавками (6) на нижней стороне измерительного инструмента. Поворачивайте измерительный инструмент по часовой стрелке, чтобы зафиксировать его на поворотной платформе.

Отвинтите ножки поворотной платформы (12) с регулируемые по высоте винтами (10).

Выровняйте поворотную платформу с помощью ватерпаса (8).

Если измерительный инструмент установлен на поворотной платформе (12), вы можете точно совместить вертикальные лазерные линии с контрольными точками с помощью винта точной регулировки (11).

Работа с инструментом

Включение инструмента

- ▶ **Защищайте измерительный инструмент от влаги и прямых солнечных лучей.**
- ▶ **Не подвергайте измерительный инструмент воздействию экстремальных температур и температурных перепадов.** Например, не оставляйте его на длительное время в автомобиле. При значительных колебаниях температуры сначала дайте температуре измерительного инструмента стабилизироваться, и прежде чем продолжать работать с инструментом, всегда проверяйте его точность (см. „Контроль точности измерительного инструмента“, Страница 44). Экстремальные температуры и температурные перепады могут отрицательно влиять на точность измерительного инструмента.
- ▶ **Избегайте сильных толчков и падения измерительного инструмента.** После сильных внешних воздействий на измерительный инструмент рекомендуется проверить его точность, прежде чем продолжать работать с инструментом (см. „Контроль точности измерительного инструмента“, Страница 44).
- ▶ **При транспортировке выключайте измерительный инструмент.** При выключении блокируется маятниковый механизм, который иначе при сильных движениях может быть поврежден.

Включение/выключение

Чтобы **включить** измерительный инструмент, переведите выключатель (7) в положение «**On**» (для работы с фиксатором маятника) или в положение «**On**» (для работы с автоматическим нивелированием). Индикатор состояния (16) загорается. Сразу после включения измерительный инструмент проецирует горизонтальную лазерную линию из переднего отверстия для выхода лазерного луча (1).

- ▶ **Не направляйте лазерный луч на людей или животных и не смотрите сами в лазерный луч, в том числе и с большого расстояния.**

Чтобы **выключить** измерительный инструмент, переведите выключатель (7) в положение «**Off**». Индикатор состояния (16) гаснет. При выключении маятниковый механизм блокируется.

- ▶ **Не оставляйте измерительный инструмент без присмотра и выключайте измерительный инструмент после использования.** Другие лица могут быть ослеплены лазерным лучом.

При превышении предельно допустимой рабочей температуры в 45 °C происходит выключение для защиты лазерного диода. После охлаждения измерительный инструмент опять готов к работе и может быть снова включен.

Деактивация автоматического выключения

После 30 мин. работы измерительный инструмент автоматически выключается.

Чтобы деактивировать автоматическое отключение, при включении измерительного инструмента удерживайте кнопку вертикального режима работы (18) или кнопку горизонтального режима работы (19) нажатой в течение 3 с. После деактивации автоматического отключения лазерные лучи коротко мигают через 3 с.

Чтобы активировать автоматическое выключение, выключите измерительный инструмент и снова включите его (не нажимая на кнопку).

Режимы работы

Измерительный инструмент имеет несколько режимов работы, которые можно переключать в любой момент. Горизонтальный и вертикальный режимы работы можно включать и выключать независимо друг от друга. После включения измерительный инструмент находится в горизонтальном режиме работы.

Все режимы работы можно включать с автоматическим нивелированием и с блокировкой маятника.

Горизонтальный режим работы (см. рис. В)

В горизонтальном режиме измерительный инструмент проецирует одну горизонтальную лазерную линию вперед.

Чтобы включить или выключить горизонтальную лазерную линию, нажмите кнопку горизонтального режима работы (19).

Вертикальный режим работы и точки отвеса (см. рис. С-Е)

Измерительный инструмент имеет несколько вертикальных режимов работы:

- Одна вертикальная лазерная линия проецируется вперед,
- Вертикальные лазерные линии проецируются вперед и вправо,
- Вертикальные лазерные линии проецируются вперед и назад,
- Вертикальные лазерные линии проецируются во все четыре стороны.

Кроме того, в вертикальном режиме работы точка отвеса всегда проецируется вниз.

Чтобы включить или выключить вертикальный режим, а также переключиться на вертикальный режим, нажмите кнопку вертикального режима работы (18), пока не будет установлен необходимый режим.

Режим приемника

Для работ с лазерным приемником (22) – при любых режимах работы – режим приемника должен быть включен.

В режиме приемника лазерные линии мигают с очень высокой частотой, что позволяет лазерному приемнику (22) определить их.


Чтобы включить режим приемника, нажмите кнопку (17). Индикатор режима приемника (15) светится красным светом.

При включенном режиме приемника видимость лазерных линий для человеческого глаза понижена. Поэтому для работ без лазерного приемника выключайте режим приемника путем повторного нажатия на кнопку режима приемника (17). Индикатор режима приемника (15) гаснет.

Автоматическое нивелирование

Работа с автоматическим нивелированием

Установите измерительный инструмент на стабильное горизонтальное основание или закрепите его на поворотной платформе (12).

Для работы с автоматическим нивелированием передвиньте выключатель (7) в положение « On».


Функция автоматического нивелирования компенсирует неровности в рамках диапазона автоматического нивелирования $\pm 3^\circ$. Нивелирование завершено, как только лазерные линии перестали перемещаться.

Если автоматическое нивелирование невозможно, например, т.к. поверхность, на которой установлен измерительный инструмент, отличается от горизонтали более чем на 3° , лазерные лучи мигают в быстром темпе.

В таком случае установите измерительный инструмент горизонтально и дождитесь окончания автоматического самонивелирования. После того, как измерительный инструмент войдет в диапазон автоматического нивелирования $\pm 3^\circ$, лазерные лучи начинают непрерывно светиться.

При сотрясениях или изменениях положения во время работы измерительный инструмент автоматически самонивелируется. После нивелирования проверьте положение лазерных лучей по отношению к реперным точкам, чтобы избежать ошибок в результате смещения измерительного инструмента.

Работа с блокировкой маятника

Для работы с блокировкой маятника передвиньте выключатель (7) в положение « On». Индикатор блокировки маятника (14) горит красным и лазерные линии непрерывно мигают в медленном темпе.

При работе с блокировкой маятника автоматическое нивелирование выключено. Измерительный инструмент можно держать на весу в руке или поставить на наклонное основание. При этом лазерные лучи больше не нивелируются и не обязательно образуют перпендикуляр.

Контроль точности измерительного инструмента

Факторы, влияющие на точность

Наибольшее влияние на точность оказывает окружающая температура. В особенности температурные перепады, имеющие место по мере удаления от почвы, могут стать причиной отклонения лазерного луча.

Мы рекомендуем использовать измерительный инструмент на штативе, чтобы свести к минимуму воздействие тепла, исходящего снизу. Кроме того, устанавливайте измерительный инструмент, по возможности, в середине рабочей поверхности.

Наряду с внешними воздействиями, специфические для инструмента воздействия (напр., падения или сильные удары) также могут приводить к отклонениям. Поэтому всегда перед началом работы проверяйте точность нивелирования.

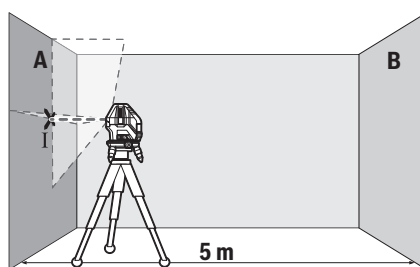
Проверяйте сначала точность по высоте и точность нивелирования горизонтальной лазерной линии, а затем точность нивелирования вертикальной лазерной линии.

Если во время одной из проверок измерительный инструмент превысит максимально допустимое отклонение, отдайте его в ремонт в сервисную мастерскую **Bosch**.

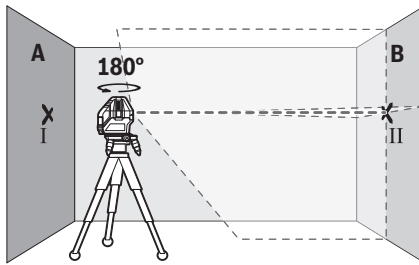
Проверка точности горизонтальной линии по высоте

Для контроля необходим свободный отрезок 5 м на прочном грунте между стенами А и В.

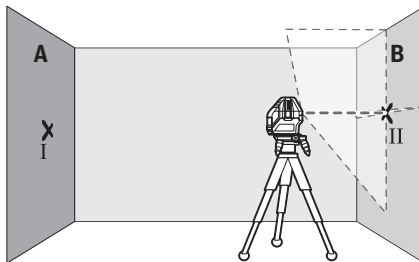
- Закрепите измерительный инструмент вблизи стены А на поворотной платформе (12) или на штативе (28) или установите его на прочное, плоское основание. Включите измерительный инструмент для работы с автоматическим нивелированием. Включите горизонтальный режим работы вместе с вертикальным режимом с проекцией вертикальной лазерной линии вперед.



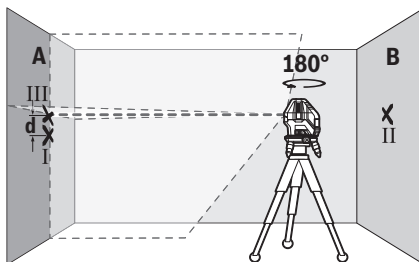
- Направьте лазер на ближнюю стену А и дайте измерительному инструменту нивелироваться. Отметьте середину точки, в которой лазерные линии пересекаются на стене (точка I).



- Поверните измерительный инструмент на 180° , подождите, пока он не произведет самонивелирование, и отметьте точку пересечения лазерных линий на противоположной стене В (точка II).
- Установите измерительный инструмент – не поворачивая его – вблизи стены В, включите его и дайте ему время нивелироваться.



- Настройте измерительный инструмент по высоте (с помощью штатива или подкладок) так, чтобы точка пересечения лазерных линий точно совпала с ранее отмеченной точкой II на стене В.



- Поверните измерительный инструмент на 180° , не изменяя высоты. Направьте инструмент на стену А так, чтобы вертикальная лазерная линия проходила через уже отмеченную точку I. Подождите, пока инструмент не закончит самонивелирование, и отметьте точку пересечения лазерных линий на стене А (точка III).
- Расстояние d между двумя обозначенными точками I и III на стене А отражает фактическое отклонение измерительного инструмента по высоте.

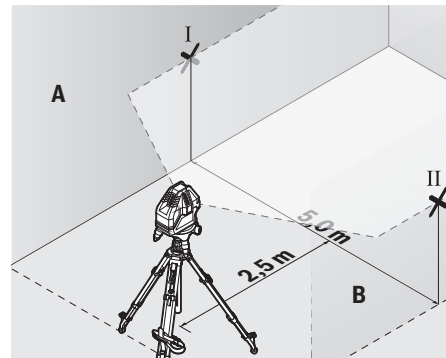
На участке $2 \times 5 \text{ м} = 10 \text{ м}$ максимально допустимое отклонение составляет:

$10 \text{ м} \times \pm 0,2 \text{ мм/м} = \pm 2 \text{ мм}$. Таким образом, расстояние d между точками I и III не должно превышать макс. **2 мм**.

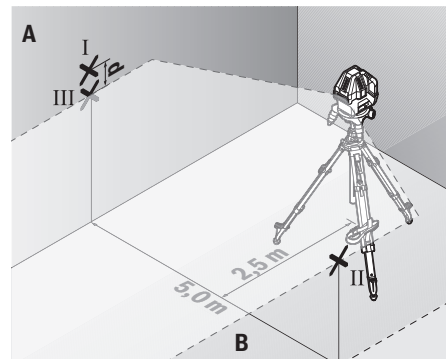
Проверка точности нивелирования горизонтальной линии

Для проверки требуется свободная поверхность прилб. $5 \times 5 \text{ м}$.

- Монтируйте измерительный инструмент посередине между стенами А и В на поворотной платформе (**12**) или на штативе (**28**) или установите его на прочное, ровное основание. Включите измерительный инструмент для работы с автоматическим нивелированием. Активируйте горизонтальный режим и дайте измерительному инструменту самонивелироваться.



- Обозначьте на расстоянии 2,5 м от измерительного инструмента середину лазерного луча на обеих стенах (точка I на стене А и точка II на стене В).



- Установите повернутый на 180° измерительный инструмент на расстоянии 5 м и дайте ему самонивелироваться.
- Выровняйте измерительный инструмент по высоте таким образом (с помощью штатива или подложки что-нибудь по нему), чтобы центр лазерной линии точно попадал на предварительно обозначенную на стене В точку II.
- Обозначьте на стене А середину лазерной линии в качестве точки III (вертикально над или под точкой I).

- Расстояние **d** между двумя обозначенными точками I и III на стене А отражает фактическое отклонение измерительного инструмента от горизонтали.

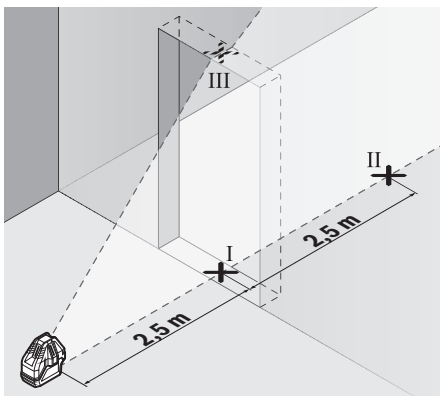
На участке $2 \times 5 \text{ м} = 10 \text{ м}$ максимально допустимое отклонение составляет:

$10 \text{ м} \times \pm 0,2 \text{ мм/м} = \pm 2 \text{ мм}$. Таким образом, расстояние **d** между точками I и III не должно превышать макс. **2 мм**.

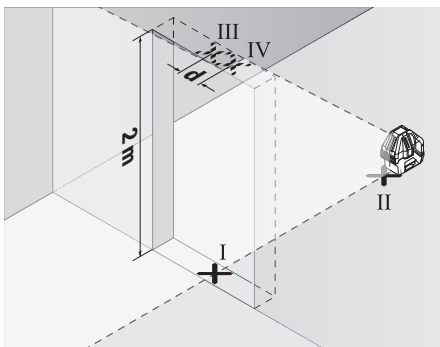
Проверка точности нивелирования вертикальной линии

Для проверки Вам требуется проем двери, в обе стороны от которого (на прочном полу) есть свободное пространство длиной не менее 2,5 м.

- Установите измерительный инструмент на расстоянии 2,5 м от дверного проема на прочное, ровное основание (не на поворотную платформу **(12)** или штатив). Включите измерительный инструмент для работы с автоматическим нивелированием. Включите вертикальный режим работы с проекцией вертикальной лазерной линии вперед и направьте лазерный луч на дверной проем. Дайте измерительному инструменту самонивелироваться.



- Отметьте середину вертикальной линии на полу в проеме двери (точка I), на расстоянии в 5 м с другой стороны проема двери (точка II), а также по верхнему краю проема двери (точка III).



- Поверните измерительный инструмент на 180° и поставьте его по другую сторону дверного проема прямо позади точки II. Дайте измерительному прибору самонивелироваться и направьте его вертикальные лазерные лучи так, чтобы их середины проходили точно через точки I и II.
- Пометьте середину лазерного луча на верхнем крае дверного проема как точку IV.
- Расстояние **d** между двумя обозначенными точками III и IV отображает фактическое отклонение измерительного инструмента от вертикали.
- Измерьте высоту проема двери.

Максимально допустимое отклонение рассчитывается следующим образом:

двойная высота дверного проема $\times 0,3 \text{ мм/м}$

Пример: при высоте дверного проема в **2 м** максимальное отклонение может составлять $2 \times 2 \text{ м} \times \pm 0,3 \text{ мм/м} = \pm 1,2 \text{ мм}$. Точки III и IV должны находиться при обоих измерениях на расстоянии максимум **1,2 мм** друг от друга.

Указания по применению

- **Используйте всегда только середину лазерной точки или лазерной линии для отметки.** Размер лазерной точки/ширина лазерной линии меняется в зависимости от расстояния.

Работы с визирной маркой

Визирная марка **(26)** улучшает видимость лазерного луча при неблагоприятных условиях и на больших расстояниях.

Отражающая поверхность визирной марки **(26)** улучшает видимость лазерной линии, на прозрачной поверхности лазерную линию также видно с тыльной стороны визирной марки.

Работа со штативом (принадлежность) (см. рис. F)

Штатив обеспечивает стабильную, регулируемую по высоте опору для измерений. Чтобы установить измерительный инструмент на штатив, поместите его на поворотную платформу **(12)**.

Монтаж на штативе 5/8": установите поворотную платформу с гнездом под штатив 5/8" **(9)** на резьбу штатива 5/8" **(28)** или обычного строительного штатива. Зафиксируйте поворотную платформу с помощью крепежного винта штатива.

Монтаж на штативе 1/4" (см. рис. F): прикрутите адаптер под штатив **(20)** (принадлежность) на резьбу штатива 5/8" **(9)** поворотной платформы. Поставьте адаптер под штатив с гнездом под штатив 1/4" на резьбу штатива 1/4" **(21)** или обычного фотоштатива. Зафиксируйте адаптер под штатив с помощью крепежного винта штатива.

Предварительно выровняйте штатив, прежде чем включать измерительный инструмент.

Работа с лазерным приемником (принадлежность)

При неблагоприятной освещенности (сильное освещение, прямые солнечные лучи) и на большом расстоянии для лучшего нахождения лазерных линий используйте лазерный приемник (22). При работах с лазерным приемником включайте режим приемника (см. „Режим приемника“, Страница 43).

Очки для работы с лазерным инструментом (принадлежность)

Лазерные очки отфильтровывают окружающий свет. Поэтому свет лазера кажется более ярким для зрительно-го восприятия.

- ▶ **Не используйте очки для работы с лазерным инструментом (принадлежность) в качестве защитных очков.** Очки для работы с лазерным инструментом обеспечивают лучшее распознавание лазерного луча, но не защищают от лазерного излучения.
- ▶ **Не используйте очки для работы с лазерным инструментом (принадлежность) в качестве солнцезащитных очков или за рулем.** Очки для работы с лазером не обеспечивают защиту от УФ-излучения и мешают правильному цветовосприятию.

Примеры возможных видов работы (см. рис. В-Е)

Примеры возможных применений измерительного инструмента приведены на страницах с рисунками.

Техобслуживание и сервис

Техобслуживание и очистка

Содержите измерительный инструмент постоянно в чистоте.

Никогда не погружайте измерительный инструмент в воду или другие жидкости.

Вытирайте загрязнения сухой и мягкой тряпкой. Не используйте какие-либо чистящие средства или растворители.

Очищайте регулярно особенно поверхности у выходного отверстия лазера и следите при этом за отсутствием ворсинок.

Обязательно храните и транспортируйте измерительный инструмент в защитной сумке (27).

На ремонт отправляйте измерительный инструмент в защитном чехле (27).

Сервис и консультирование по вопросам применения

Сервисный отдел ответит на все Ваши вопросы по ремонту и обслуживанию Вашего продукта, а также по запчастям. Изображения с пространственным разделением делателей и информация по запчастям можно посмотреть также по адресу:

www.bosch-pt.com

Коллектив сотрудников Bosch, предоставляющий консультации на предмет использования продукции, с

удовольствием ответит на все Ваши вопросы относительно нашей продукции и ее принадлежностей.

Пожалуйста, во всех запросах и заказах запчастей обязательно указывайте 10-значный товарный номер по заводской табличке изделия.

Для региона: Россия, Беларусь, Казахстан, Украина

Гарантийное обслуживание и ремонт электроинструмента, с соблюдением требований и норм изготовителя производятся на территории всех стран только в фирменных или авторизованных сервисных центрах «Роберт Бош». **ПРЕДУПРЕЖДЕНИЕ!** Использование контрафактной продукции опасно в эксплуатации, может привести к ущербу для Вашего здоровья. Изготовление и распространение контрафактной продукции преследуется по Закону в административном и уголовном порядке.

Россия

Уполномоченная изготовителем организация:
ООО «Роберт Бош» Вештинское шоссе, вл. 24
141400, г. Химки, Московская обл.
Тел.: +7 800 100 8007
E-Mail: info.powertools@ru.bosch.com
www.bosch-pt.ru

Дополнительные адреса сервисных центров вы найдете по ссылке:

www.bosch-pt.com/serviceaddresses

Утилизация

Отслужившие свой срок измерительные инструменты, принадлежности и упаковку следует сдавать на экологически чистую рекуперацию отходов.



Не выбрасывайте измерительные инструменты и батарейки в бытовой мусор!

Только для стран-членов ЕС:

В соответствии с европейской директивой 2012/19/EU об отработанных электрических и электронных приборах и ее преобразованием в национальное законодательство вышедшие из употребления измерительные инструменты и в соответствии с европейской директивой 2006/66/ЕС дефектные или отслужившие свой срок аккумуляторные батареи/батарейки должны собираться отдельно и сдаваться на экологически чистую рекуперацию.

При неправильной утилизации отработанные электрические и электронные приборы могут оказать вредное воздействие на окружающую среду и здоровье человека из-за возможного присутствия в них опасных веществ.

Українська

Вказівки з техніки безпеки



Прочитайте всі вказівки і дотримуйтеся їх, щоб працювати з вимірювальним інструментом безпечно та надійно.

Використання вимірювального інструмента без дотримання цих інструкцій може призвести до пошкодження інтегрованих захисних механізмів. Ніколи не доводьте попереджувальні таблички на вимірювальному інструменті до невпізнаності. **ДОБРЕ ЗБЕРІГАЙТЕ ЦІ ІНСТРУКЦІ І ПЕРЕДАВАЙТЕ ЇХ РАЗОМ З ПЕРЕДАЧЕЮ ВИМІРЮВАЛЬНОГО ІНСТРУМЕНТУ.**

- ▶ **Обережно** – використання засобів обслуговування і настроювання, що відрізняються від зазначених в цій інструкції, або використання дозволених засобів у недовзволених способів, може призводити до небезпечного впливу випромінювання.
- ▶ **Вимірювальний інструмент** постачається з попереджувальною табличкою лазерного випромінювання (вона позначена на зображенні вимірювального інструмента на сторінці з малюнком).
- ▶ Якщо текст попереджувальної таблички лазерного випромінювання написаний не мовою Вашої країни, перед першим запуском в експлуатацію заклейте її наклейкою на мові Вашої країни, що входить у комплект постачання.



Не направляйте лазерний промінь на людей або тварин, і самі не дивіться на прямий або відображений лазерний промінь. Він може засліпити інших людей, спричинити нещасні випадки або пошкодити очі.

- ▶ У разі потрапляння лазерного променя в око, **навмисне заплющьте очі і відразу відверніться від променя.**
- ▶ Нічого не міняйте в лазерному пристрої.
- ▶ **Не використовуйте окуляри для роботи з лазером (приладдя) як захисні окуляри.** Окуляри для роботи з лазером забезпечують краще розпізнавання лазерного променя, однак не захищають від лазерного випромінювання.
- ▶ **Не використовуйте окуляри для роботи з лазером (приладдя) як сонцезахисні окуляри та не вдягайте їх, коли ви знаходитесь за кермом.** Окуляри для роботи з лазером не забезпечують повний захист від УФ променів та погіршують розпізнавання кольорів.
- ▶ **Віддавайте вимірювальний інструмент на ремонт лише кваліфікованим фахівцям та лише з використанням оригінальних запчастин.** Тільки за таких умов Ваш вимірювальний прилад і надалі буде залишатися безпечним.

- ▶ **Не дозволяйте дітям використовувати лазерний вимірювальний інструмент без нагляду.** Діти можуть ненавмисне засліпити себе чи інших людей.
- ▶ **Не працюйте з вимірювальним інструментом у середовищі, де існує небезпека вибуху внаслідок присутності горючих рідин, газів або пилу.** У вимірювальному приладі можуть утворюватися іскри, від яких може займатися пил або пари.



Не встановлюйте вимірювальний інструмент і магнітне приладдя поблизу імплантантів і інших медичних апаратів, напр., кардіостимуляторів і інсулінових помп. Магніти вимірювального інструмента і приладдя створюють поле, яке може негативно впливати на функціональну здатність імплантантів і інших медичних апаратів.

- ▶ **Вимірювальний інструмент і магнітне приладдя не повинні знаходитися поблизу магнітних носіїв даних і приладів, чутливих до магнітного поля.** Дія магнітів вимірювального інструмента і приладдя може спричинити необоротну втрату даних.

Опис продукту і послуг

Будь ласка, дотримуйтеся ілюстрацій на початку інструкції з експлуатації.

Призначення приладу

Вимірювальний прилад призначений для визначення і перевірки горизонтальних і вертикальних ліній і точок виска.

Вимірювальний прилад призначений для використання всередині приміщень.

Це споживчий лазерний виріб відповідно до стандарту EN 50689.

Зображені компоненти

Нумерація зображених компонентів посилається на зображення вимірювального приладу на сторінці з малюнком.

- (1) Вихідний отвір для лазерного променя
- (2) Фіксатор секції для батарейок
- (3) Кришка секції для батарейок
- (4) Серійний номер
- (5) Попереджувальна табличка для роботи з лазером
- (6) Кріпильні пази вимірювального інструмента
- (7) Вимикач
- (8) Ватерпас поворотної платформи
- (9) Гніздо під штатив 5/8" поворотної платформи
- (10) Гвинт налаштування висоти поворотної платформи
- (11) Гвинт точної настройки поворотної платформи
- (12) Поворотна платформа

- (13) Кріпильні пази поворотної платформи
- (14) Індикатор блокування маятника
- (15) Індикатор режиму приймача
- (16) Індикатор стану
- (17) Кнопка режиму приймача
- (18) Кнопка вертикального режиму роботи
- (19) Кнопка горизонтального режиму роботи
- (20) Перехідник штатива^{a)}
- (21) Штатив 1/4^{na)}
- (22) Лазерний приймач^{a)}
- (23) Магніт^{a)}
- (24) Кріплення лазерного приймача^{a)}
- (25) Окуляри для роботи з лазером^{a)}
- (26) Візирний щит^{a)}
- (27) Захисна сумка
- (28) Штатив 5/8^{na)}
- (29) Телескопічна штанга^{a)}

a) **Зображене або описане приладдя не входить в стандартний комплект поставки. Повний асортимент приладдя ви знайдете в нашій програмі приладдя.**

Технічні дані

Лінійний лазер	GLL 5-50 X
Товарний номер	3 601 K63 F..
Робочий діапазон ^{A)}	
– Лазерні лінії, стандартні	15 м
– Лазерні лінії з режимом приймача	10 м
– Лазерні лінії з лазерним приймачем	5–50 м
– Точка виска	5 м
Точність нівелювання ^{B)C)}	
– Горизонтальна лазерна лінія	±0,2 мм/м
– Вертикальні лазерні лінії	±0,3 мм/м
– Точка виска	±0,7 мм/м
Діапазон автоматичного нівелювання	±3°
Тривалість нівелювання	< 4 с
Робоча температура	-10 °C ... +45 °C
Температура зберігання	-20 °C ... +70 °C
Макс. висота використання над реперною висотою	2 000 м
Відносна вологість повітря макс.	90 %
Ступінь забрудненості відповідно до ІЕС 61010-1	2 ^{D)}
Клас лазера	2
Тип лазера	< 1 мВт, 630–650 нм

Лінійний лазер	GLL 5-50 X
С ₆	1
Розходження	
– Лазерна лінія	1,5 мрад
– Точка виска	1,5 мрад
Експлуатація без режиму приймача	Безперервне випромінювання (CW)
Найкоротша тривалість імпульсу (експлуатація в режимі приймача)	0,05 мс
Частота імпульсів (експлуатація в режимі приймача)	10 кГц
Гніздо під штатив ^{E)}	5/8"
Батареї	4 × 1,5 В LR6 (AA)
Робочий ресурс прибл. ^{B)}	
– 3 1 лазерною лінією	24 год.
– 3 2 лазерними лініями	14 год.
– 3 3 лазерними лініями	10 год.
– 3 5 лазерними лініями	6 год.
Вага відповідно до EPTA-Procedure 01:2014	0,54 кг

Розміри (довжина x ширина x висота)

– Без поворотної платформи	122 × 83 × 129 мм
– З поворотною платформою	Ø 151 × 203 мм
Ступінь захисту (крім секції для батарейок)	IP54 (із захистом від пилу і бризок води)

- A) Робочий діапазон може зменшуватися внаслідок несприятливих умов (напр., прямі сонячні промені).
- B) при 20–25 °C
- C) Для вказаних значень умов навколишнього середовища повинні бути у діапазоні від нормальних до сприятливих (напр., відсутність вібрації, відсутність туману, відсутність диму, відсутність прямих сонячних променів). Після сильних перепадів температури можливе відхилення у точності.
- D) Зазвичай присутнє лише непровідне забруднення. Проте, як правило, виникає тимчасова провідність через конденсацію.
- E) Доступно лише у поєднанні з поворотною платформою. Однозначна ідентифікація вимірювального інструмента можлива за допомогою серійного номера (4) на заводській табличці.

Монтаж

Вставлення/заміна батарейок

У вимірювальному інструменті рекомендується використовувати лужно-марганцеві батареї.

Щоб відкрити кришку секції для батарейок (3), натисніть на фіксатор (2) і зніміть кришку секції для батарейок.

Встроміть батарейки.

При цьому звертайте увагу на правильну направленість полюсів, як це показано всередині секції для батарейок.

Якщо блимає індикатор стану (16), потрібно замінити батарейки.

Міняйте відразу всі батарейки. Використовуйте лише батарейки одного виробника і з однаковою ємністю.

- **Виймайте батарейки з вимірювального інструмента, якщо тривалий час не будете користуватися ним.** У разі тривалого зберігання у вимірювальному інструменті батарейки можуть кородувати і саморозряджатися.

Робота з поворотною платформою (див. мал. А)

За допомогою поворотної платформи (12) вимірювальний інструмент можна повертати на 360° навколо центральної, завжди видимої точки виска. Це дозволяє точно налаштувати лазерні лінії, не змінюючи положення вимірювального інструмента.

Розмістіть вимірювальний інструмент на поворотній платформі (12) так, щоб кріпильні пази (13) поворотної платформи помістилися між відповідними кріпильними пазами (6) на нижній стороні вимірювального інструмента. Поверніть вимірювальний інструмент за годинниковою стрілкою, щоб зафіксувати його на поворотній платформі.

Відкрутіть ніжки поворотної платформи (12) за допомогою гвинтів налаштування висоти (10).

Вирівняйте поворотну платформу за допомогою ватерпаса (8).

Якщо вимірювальний інструмент встановлений на поворотній платформі (12), ви можете точно вирівняти вертикальні лазерні лінії за опорними точками за допомогою гвинта точної настройки (11).

Робота

Початок роботи

- **Захищайте вимірювальний прилад від вологи і сонячних променів.**
- **Не допускайте впливу на вимірювальний інструмент екстремальних температур або температурних перепадів.** Наприклад, не залишайте його надовго в автомобілі. Після значного перепаду температур дайте температурі вимірювального інструмента стабілізуватись, і перед подальшою роботою завжди перевіряйте точність роботи вимірювального інструмента (див. „Перевірка точності вимірювального інструмента“, Сторінка 51). Екстремальні температури та температурні перепади можуть погіршувати точність вимірювального інструмента.
- **Уникайте сильних поштовхів і падіння вимірювального інструмента.** Після сильних зовнішніх впливів на вимірювальний інструмент перед подальшою роботою обов'язково завжди перевіряйте точність роботи вимірювального інструмента (див. „Перевірка точності вимірювального інструмента“, Сторінка 51).

- **Під час транспортування вимикайте вимірювальний інструмент.** При вимкненні приладу маятниковий вузол блокується, щоб запобігти пошкодженню внаслідок сильних поштовхів.

Вмикання/вимкання

Щоб **увімкнути** вимірювальний інструмент, посуňte вмикач (7) у положення «**On**» (для роботи з блокуванням маятника) або у положення «**On**» (для роботи з автоматичним нівелюванням). Індикатор стану (16) увімкнеться. Одразу після увімкнення вимірювальний інструмент випромінює з переднього вихідного отвору для лазерного променя (1) горизонтальну лазерну лінію.

- **Не спрямовуйте лазерний промінь на людей і тварин і не дивіться у лазерний промінь, включаючи і з великої відстані.**

Щоб **вимкнути** вимірювальний інструмент, посуňte вмикач (7) у положення «**Off**». Індикатор стану (16) згасне. При вимкненні інструмента маятниковий вузол блокується.

- **Не залишайте увімкнутий вимірювальний інструмент без догляду, після закінчення роботи вимикайте вимірювальний інструмент.** Інші особи можуть бути засліплені лазерним променем.

При перевищенні максимально дозваної робочої температури 45 °C лазерний промінь для захисту лазерного діода автоматично вимикається. Після того, як вимірювальний прилад охолоне, він знову готовий до експлуатації та його можна знову вмикати.

Деактивація функції автоматичного вимкнення

Прибл. через 30 хвил експлуатації вимірювальний інструмент автоматично вимикається.

Щоб деактивувати автоматичне вимкнення, під час увімкнення вимірювального інструмента тримайте кнопку вертикального режиму (18) або кнопку горизонтального режиму (19) натиснутою протягом 3 с. Якщо автоматичне вимкнення деактивоване, лазерні лінії коротко блимнуть через 3 с.

Щоб активувати функцію автоматичного вимкнення, вимкніть вимірювальний інструмент і знову увімкніть його (не натискаючи кнопку).

Режими роботи

Вимірювальний інструмент має декілька режимів роботи, які можна в будь-який час перемикаєти. Горизонтальний та вертикальний режим роботи можна вмикати та вимикати незалежно один від одного. Після увімкнення вимірювальний інструмент знаходиться в горизонтальному режимі.

Усі режими роботи можна вмикати з автоматичним нівелюванням або з блокуванням маятника.

Горизонтальний режим роботи (див. мал. В)

У горизонтальному режимі роботи вимірювальний інструмент направляє горизонтальну лазерну лінію вперед.

Щоб вимкнути або увімкнути горизонтальну лазерну лінію, натисніть кнопку горизонтального режиму (19).

Вертикальний режим та точка виска (див. мал. С-Е)

Вимірювальний інструмент має декілька вертикальних режимів роботи:

- Вертикальна лазерна лінія вперед,
- Вертикальна лазерна лінія вперед і праворуч,
- Вертикальна лазерна лінія вперед і назад,
- Вертикальні лазерні лінії в усі чотири сторони.

Крім того, у вертикальному режимі точка виска завжди проєктується вниз.

Щоб увімкнути або вимкнути чи змінити вертикальний режим, натискайте кнопку вертикального режиму (18), доки не буде досягнутий бажаний режим.

Режим приймача

Для робіт з лазерним приймачем (22) – при будь-якому режимі роботи – повинен бути увімкнений режим приймача.

У режимі приймача лазерні лінії блимають з дуже високою частотою, що дозволяє лазерному приймачеві (22) розпізнати їх.

Щоб увімкнути режим приймача, натисніть кнопку режиму приймача (17). Індикатор режиму приймача (15) світиться червоним кольором.

При увімкненому режимі приймача видимість лазерних ліній для людського ока є зниженою. Для робіт без лазерного приймача вимкніть режим приймача, ще раз натиснувши на кнопку режиму приймача (17). Індикатор режиму приймача (15) гасне.

Автоматичне нівелювання

Робота у режимі автоматичного нівелювання

Встановіть вимірювальний інструмент на тверду горизонтальну поверхню або закріпіть його на поворотній платформі (12).

Для роботи з автоматичним нівелюванням пересуньте викиач (7) в положення «**On**».

Автоматичне нівелювання автоматично вирівнює нерівності у межах діапазону самонівелювання $\pm 3^\circ$. Нівелювання завершено, як тільки лазерні лінії припиняють свій рух.

Якщо автоматичне нівелювання неможливе, напр., якщо поверхня, на якій встановлений вимірювальний інструмент, відрізняється від горизонталі більше ніж на 3° , лазерні промені починають блимати у швидкому темпі.

У такому разі встановіть вимірювальний інструмент в горизонтальне положення і зачекайте, поки не буде здійснене автоматичне самонівелювання. Як тільки вимірювальний інструмент повернеться в діапазон автоматичного нівелювання $\pm 3^\circ$, лазерні промені почнуть безперервно світитися.

При струсах та змінах положення протягом експлуатації вимірювальний інструмент знову автоматично нівелюється. Після нівелювання перевірте положення

лазерних променів стосовно реперних точок, щоб запобігти помилкам в результаті зсування вимірювального приладу.

Робота з блокуванням маятника

Для роботи з блокуванням маятника пересуньте викиач (7) в положення «**On**». Індикатор блокування маятника (14) світиться червоним і лазерні лінії постійно блимають у повільному темпі.

Під час робіт з блокуванням маятника автоматичне нівелювання вимкнене. Вимірювальний інструмент можна тримати в руці або поставити на похилу поверхню. Лазерні промені більше не нівелюються і необов'язково проходять перпендикулярно один до одного.

Перевірка точності вимірювального інструмента

Фактори, що впливають на точність

Найбільший вплив справляє температура зовнішнього середовища. Особливо температурні перепади, що спостерігаються в міру віддалення від ґрунту, можуть спричинити відхилення лазерного променя.

Щоб звести до мінімуму теплові впливи від тепла, що піднімається від підлоги, рекомендується встановити вимірювальний інструмент на штатив. Крім того, за можливістю вимірювальний інструмент треба встановлювати в центрі робочої ділянки.

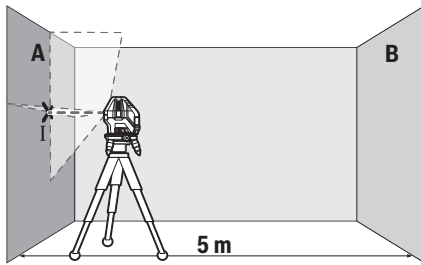
Поряд із зовнішніми умовами також і специфічні для інструменту умови (напр., струси або сильні удари) можуть призводити до відхилень. З цієї причини кожного разу перед початком роботи перевіряйте точність нівелювання.

Перевіряйте спочатку точність висоти і точність нівелювання горизонтальної лазерної лінії, а потім точність нівелювання вертикальної лазерної лінії. Якщо під час однієї з перевірок вимірювальний інструмент перевищить максимально допустиме відхилення, його треба віднести на ремонт до майстерні **Bosch**.

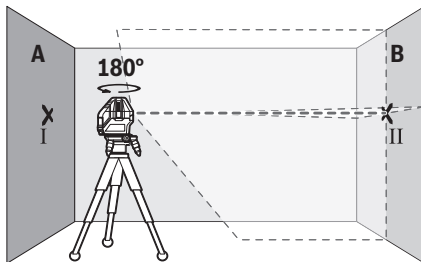
Перевірка точності горизонтальної лінії по висоті

Для перевірки Вам на твердому ґрунті потрібна вільна вимірювальна ділянка довжиною **5 м** між двома стінами А і В.

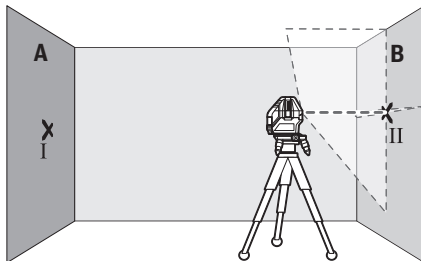
- Встановіть вимірювальний інструмент коло стіни А на поворотній платформі (12) або на штативі (28) чи поставте його на тверду рівну поверхню. Увімкніть вимірювальний інструмент для роботи з автоматичним нівелюванням. Увімкніть горизонтальний режим роботи або вертикальний режим роботи з однією вертикальною лазерною лінією вперед.



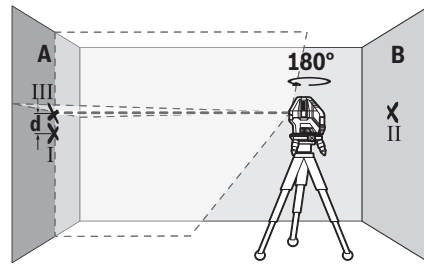
- Спрямуйте лазер на ближчу стіну А та дайте йому нівелюватися. Позначте середину точки, в якій лазерні лінії перехрещуються на стіні (точка I).



- Поверніть вимірювальний прилад на 180°, дайте йому нівелюватися і позначте точку, в якій лазерні лінії перехрещуються на протилежній стіні В (точка II).
- Розташуйте вимірювальний прилад, не повертаючи його, коло стіни В, увімкніть його та дайте йому нівелюватися.



- Вирівняйте вимірювальний інструмент по висоті таким чином (за допомогою штатива або підмостивши щонебудь під нього), щоб точка, в якій перехрещуються лазерні лінії, точно потрапляла на позначену раніше точку II на стіні В.



- Поверніть вимірювальний прилад на 180°, не змінюючи його висоти. Спрямуйте його на стіну А таким чином, щоб вертикальна лазерна лінія проходила через раніше позначену точку I. Дайте вимірювальному приладу нівелюватися і позначте точку на стіні А, в якій перехрещуються лазерні лінії (точка III).
- Різниця d між двома позначеними на стіні А точками I і III – це фактичне відхилення вимірювального інструмента по висоті.

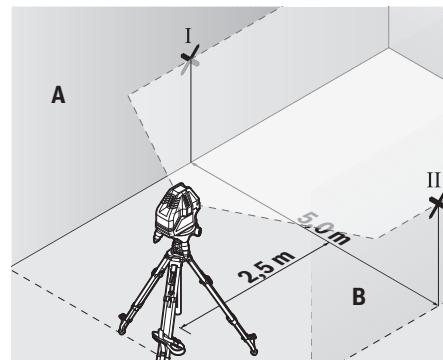
На ділянці $2 \times 5 \text{ м} = 10 \text{ м}$ максимально допустиме відхилення становить:

$10 \text{ м} \times \pm 0,2 \text{ мм/м} = \pm 2 \text{ мм}$. Таким чином, різниця d між точками I і III може складати максимум 2 мм.

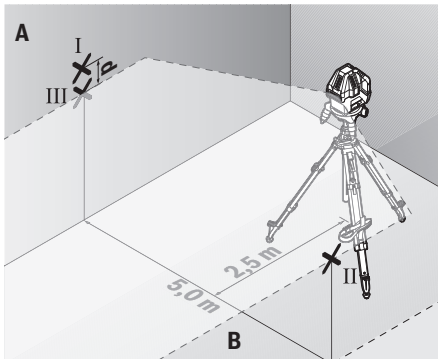
Перевірка точності нівелювання горизонтальної лінії

Для перевірки потрібна вільна ділянка прибіл. $5 \times 5 \text{ м}$.

- Встановіть вимірювальний інструмент посередині між стінами А і В на поворотній платформі (12) чи на штативі (28) або поставте його на тверду рівну поверхню. Увімкніть вимірювальний інструмент для роботи з автоматичним нівелюванням. Увімкніть горизонтальний режим і залиште вимірювальний інструмент самонівелюватися.



- Позначте на обох стінах на відстані 2,5 м від вимірювального інструмента середину лазерної лінії (точка I на стіні А і точка II на стіні В).



- Встановіть обернений на 180° вимірювальний інструмент на відстані 5 м і дайте йому самонівелюватися.
- Вирівняйте вимірювальний прилад по висоті таким чином (за допомогою штатива або підмостивши щонебудь під нього), щоб середина лазерної лінії точно потрапляла на позначену раніше точку II на стіні В.
- Позначте на стіні А середину лазерної лінії як точку III (вертикально над точкою I або під нею).
- Різниця **d** між двома позначеними на стіні А точками I і III – це фактичне відхилення вимірювального інструмента від горизонталі.

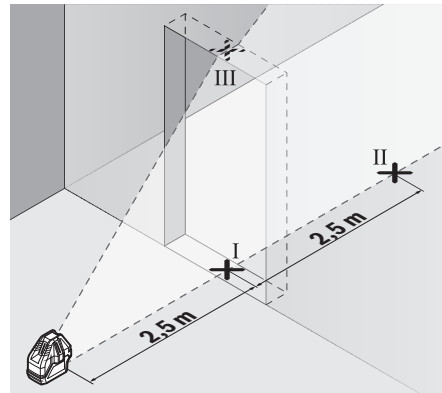
На ділянці $2 \times 5 \text{ м} = 10 \text{ м}$ максимально допустиме відхилення становить:

$10 \text{ м} \times \pm 0,2 \text{ мм/м} = \pm 2 \text{ мм}$. Таким чином, різниця **d** між точками I і III може скласти максимум 2 мм.

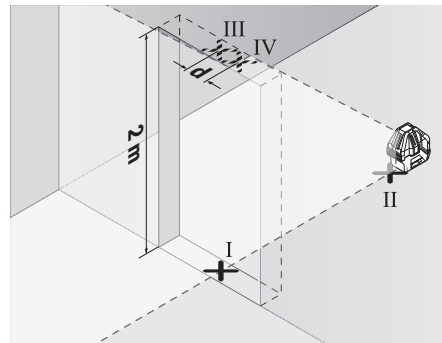
Перевірка точності нівелювання вертикальної лінії

Для перевірки Вам потрібний дверний проріз, в якому з обох боків від дверей є мін. 2,5 м (на твердому ґрунті).

- Встановіть вимірювальний інструмент на відстані 2,5 м від дверного прорізу на рівну тверду поверхню (не на поворотну платформу (12) або штатив). Увімкніть вимірювальний інструмент для роботи з автоматичним нівелюванням. Увімкніть вертикальний режим з вертикальною лазерною лінією вперед та направте лазерну лінію на дверний проріз. Дайте вимірювальному інструменту самонівелюватися.



- Позначте середину вертикальної лазерної лінії на підлозі у дверному прорізі (точка I), на відстані 5 м з іншого боку дверного прорізу (точка II), а також з верхнього краю дверного прорізу (точка III).



- Поверніть вимірювальний прилад на 180° і поставте його з іншого боку дверного прорізу прямо поза точкою II. Дайте вимірювальному приладу нівелюватися і спрямуйте вертикальну лазерну лінію таким чином, щоб її середина проходила точно через точку I і II.
- Позначте середину лазерної лінії на верхньому краї дверного прорізу в якості точки IV.
- Різниця **d** між двома позначеними точками III і IV – це фактичне відхилення вимірювального інструмента від вертикалі.
- Поміряйте висоту дверного прорізу.

Підрахуйте максимально допустиме відхилення наступним чином:

подвійна висота дверного прорізу $\times 0,3 \text{ мм/м}$

Приклад: При висоті дверного прорізу 2 м максимальне відхилення повинно скласти

$2 \times 2 \text{ м} \times \pm 0,3 \text{ мм/м} = \pm 1,2 \text{ мм}$. Точки III і IV повинні, таким чином, знаходитись на максимальній відстані 1,2 мм одна від одної.

Вказівки щодо роботи

- Для позначення завжди використовуйте середину лазерної точки або лазерної лінії. Розмір лазерної точки/лазерної лінії змінюється в залежності від відстані.

Роботи з візирною маркою

Візирний щит (26) покращує видимість лазерного променя при несприятливих умовах та на великих відстанях.

Поверхня візирного щита (26), що віддзеркалює, покращує видимість лазерної лінії, через прозору поверхню лазерну лінію також видно з тильного боку візирного щита.

Робота зі штативом (приладдя) (див. мал. F)

Штатив забезпечує стабільну підставку для вимірювання, висоту якої можна регулювати. Щоб встановити вимірювальний інструмент на штатив, поставте вимірювальний інструмент на поворотну платформу (12).

Монтаж на штативі 5/8": покладіть поворотну платформу з гніздом під штатив 5/8" (9) на різьбу штатива 5/8" (28) або стандартного будівельного штатива. Зафіксуйте поворотну платформу кріпильним гвинтом штатива.

Монтаж на штативі 1/4" (див. мал. F): вкрутіть адаптер штатива (20) (приладдя) у гніздо під штатив 5/8" (9) на поворотній платформі. Поставте адаптер штатива з гніздом під штатив 1/4" на різьбу штатива 1/4" (21) або стандартного фотоштатива. Зафіксуйте адаптер штатива кріпильним гвинтом штатива.

Грубо вирівняйте штатив, перш ніж вмикати вимірювальний прилад.

Робота з лазерним приймачем (приладдя)

За несприятливих умов (світле середовище, пряме сонячне світло) та на великих відстанях, щоб легше було знайти лазерні лінії, користуйтеся лазерним приймачем (22). При роботі з лазерним приймачем вмикайте режим приймача (див. „Режим приймача“, Сторінка 51).

Окуляри для роботи з лазером (приладдя)

Окуляри для роботи з лазером відфільтровують світло зовнішнього середовища. Завдяки цьому світло лазера здається для очей світлішим.

- Не використовуйте окуляри для роботи з лазером (приладдя) як захисні окуляри. Окуляри для роботи з лазером забезпечують краще розпізнавання лазерного променя, однак не захищають від лазерного випромінювання.
- Не використовуйте окуляри для роботи з лазером (приладдя) як сонцезахисні окуляри та не вдягайте їх, коли ви знаходитесь за кермом. Окуляри для роботи з лазером не забезпечують повний захист від УФ променів та погіршують розпізнавання кольорів.

Приклади роботи (див. мал. В–Е)

Приклади для таких можливостей застосування вимірювального приладу Ви знайдете на сторінках з малюнками.

Технічне обслуговування і сервіс

Технічне обслуговування і очищення

Завжди тримайте вимірювальний прилад в чистоті.

Не занурюйте вимірювальний прилад у воду або інші рідини.

Витирайте забруднення вологою м'якою ганчіркою. Не використовуйте жодних миючих засобів або розчинників. Зокрема, регулярно очищайте поверхні коло вихідного отвору лазера і слідкуйте при цьому за тим, щоб не залишалось ворсинок.

Зберігайте і транспортуйте вимірювальний інструмент лише в доданій захисній сумці (27).

Надсилайте вимірювальний прилад на ремонт в захисній сумці (27).

Сервіс і консультації з питань застосування

В сервісній майстерні Ви отримаєте відповідь на Ваші запитання стосовно ремонту і технічного обслуговування Вашого продукту. Малюнки в деталях і інформацію щодо запчастин можна знайти за адресою: www.bosch-pt.com Команда співробітників Bosch з надання консультацій щодо використання продукції із задоволенням відповість на Ваші запитання стосовно нашої продукції та приладдя до неї.

При всіх додаткових запитаннях та замовленні запчастин, будь ласка, зазначайте 10-значний номер для замовлення, що стоїть на паспортній табличці продукту.

Гарантійне обслуговування і ремонт електроінструменту здійснюються відповідно до вимог і норм виготовлювача на території всіх країн лише у фірмових або авторизованих сервісних центрах фірми «Роберт Бош». ПОПЕРЕДЖЕННЯ! Використання контрафактної продукції небезпечно в експлуатації і може мати негативні наслідки для здоров'я. Виготовлення і розповсюдження контрафактної продукції переслідується за Законом в адміністративному і кримінальному порядку.

Україна

Бош Сервісний Центр електроінструментів

вул. Крайна 1

02660 Київ 60

Тел.: +380 44 490 2407

Факс: +380 44 512 0591

E-Mail: pt-service@ua.bosch.com

www.bosch-professional.com/ua/uk

Адреса Регіональних гарантійних сервісних майстерень за- значена в Національному гарантійному талоні.

Адреси інших сервісних центрів наведено нижче:

www.bosch-pt.com/serviceaddresses

Утилізація

Вимірювальні прилади, приладдя і упаковку треба здавати на екологічно чисту повторну переробку.



Не викидайте вимірювальні інструменти і батареї в побутове сміття!

Лише для країн ЄС:

Відповідно до Європейської Директиви 2012/19/EU щодо відходів електричного та електронного обладнання та її перетворення в національне законодавство вимірювальні інструменти, які більше не придатні до використання, а також відповідно до Європейської Директиви 2006/66/ЄС несправні або відпрацьовані акумуляторні батареї/батареї повинні здаватися окремо і утилізуватися екологічно чистим способом.

При неправильній утилізації відпрацьовані електричні та електронні прилади можуть мати шкідливий вплив на навколишнє середовище та здоров'я людини через можливу наявність небезпечних речовин.

Қазақ

Еуразия экономикалық одағына (Кеден одағына) мүше мемлекеттер аумағында қолданылады

Өндірушінің өнім үшін қарастырған пайдалану құжаттарының құрамында пайдалану жөніндегі осы нұсқаулық, сонымен бірге қосымшалар да болуы мүмкін. Сәйкестікті растау жайлы ақпарат қосымшада бар.

Өнімді өндірген мемлекет туралы ақпарат өнімнің корпусында және қосымшада көрсетілген.

Өндірілген мерзімі Нұсқаулық мұқабасының соңғы бетінде және өнім корпусында көрсетілген.

Импортерге қатысты байланыс ақпарат өнім қаптамасында көрсетілген.

Өнімді пайдалану мерзімі

Өнімнің қызмет ету мерзімі 7 жыл. Өндірілген мерзімнен бастап (өндіру күні зауыт тақтайшасында жазылған) істетпей 5 жыл сақтағаннан соң, өнімді тексерусіз (сервистік тексеру) пайдалану ұсынылмайды.

Қызметкер немесе пайдаланушының қателіктері мен істен шығу себептерінің тізімі

- өнім корпусынан тікелей түтін шықса, пайдаланбаңыз
- жауын –шашын кезінде сыртта (далада) пайдаланбаңыз
- корпус ішіне су кірсе құрылғыны қосушы болмаңыз

Шекті күй белгілері

- өнім корпусының зақымдалуы

Қызмет көрсету түрі мен жиілігі

Әр пайдаланудан соң өнімді тазалау ұсынылады.

Сақтау

- құрғақ жерде сақтау керек
- жоғары температура көзінен және күн сәулелерінің әсерінен алыс сақтау керек
- сақтау кезінде температураның кенет ауытқуынан қорғау керек
- егер құрал жұмсақ сөмке немесе пластик кейсте жеткізілсе оны осы өзінің қорғағыш қабында сақтау ұсынылады
- сақтау шарттары туралы қосымша ақпарат алу үшін MEMCT 15150-69 (Шарт 1) құжатын қараңыз

Тасымалдау

- тасымалдау кезінде өнімді құлатуға және кез келген механикалық ықпал етуге қатаң тыйым салынады
- босату/жүктеу кезінде пакетті қысытын машиналарды пайдалануға рұқсат берілмейді.
- тасымалдау шарттары талаптарын MEMCT 15150-69 (5 шарт) құжатын оқыңыз.

Қауіпсіздік нұсқаулары



Өлшеу құралымен қауіпсіз және сенімді жұмыс істеу үшін барлық нұсқаулықтарды оқып орындау керек. Өлшеу құралын осы нұсқауларға сай

пайдаланбау өлшеу құралындағы кірістірілген қауіпсіздік шараларына жағымсыз әсер етеді. Өлшеу құралындағы ескертулерді көрінбейтін қылмаңыз. **ОСЫ НҰСҚАУЛАРДЫ САҚТАП, ӨЛШЕУ ҚҰРАЛЫН БАСҚАЛАРҒА БЕРГЕНДЕ ОЛАРДЫ ҚОСА ҰСЫНЫҒЫЗ.**

- ▶ **Абай болыңыз – егер осы жерде берілген пайдалану немесе түзету құралдарынан басқа құралдан пайдаланса немесе басқа жұмыс әдістері орындалса бұл қауіпті сәулеге шалынуға алып келуі мүмкін.**
- ▶ **Өлшеу құралы лазер ескерту тақтасымен бірге жеткізіледі (графика бетіндегі өлшеу құралының суретінде белгіленген).**
- ▶ **Егер лазер ескерту тақтасының мәтіні еліңіздің тілінде болмаса, алғаш рет қолданысқа енгізбес бұрын оның орнына еліңіздің тіліндегі жапсырманы жабыстырыңыз.**



Лазер сәулесін адамдарға немесе жануарларға бағыттамаңыз және өзіңіз де тікелей немесе шағылысқан лазер сәулесіне қарамаңыз. Бұл адамдардың көзін шағылдыруы мүмкін, сәтсіз оқиғаларға әкелуі немесе көзге зақым келтіруі мүмкін.

- ▶ **Егер лазер сәулесі көзге түссе көздерді жұмып басты сәуледен ары қарату керек.**

- ▶ **Лазер құрылғысында ешқандай өзгерту орындамаңыз.**
- ▶ **Лазер көру көзілдірігін (керек-жарақ) қорғаныш көзілдірігі ретінде пайдаланбаңыз.** Лазер көру көзілдірігі лазер сәулесін жақсырақ көру үшін қолданылады, алайда лазер сәулесінен қорғамайды.
- ▶ **Лазер көру көзілдірігін (керек-жарақ) күннен қорғайтын көзілдірік ретінде немесе жол қозғалысында пайдаланбаңыз.** Лазер көру көзілдірігі ультракүлгін сәулелерден толық қорғанысты қамтамасыз етпейді және түсті сезу қабілетін азайтады.
- ▶ **Өлшеу құралын тек білікті маманға және арнаулы бөлшектермен жөндетіңіз.** Сол арқылы өлшеу құрал қауіпсіздігін сақтайсыз.
- ▶ **Балаларға лазер өлшеу құралын бақылаусыз пайдалануға рұқсат етпеңіз.** Олар басқа адамдардың немесе өзінің көзін абайсыздан шағылыстыруы мүмкін.
- ▶ **Жанатын сұйықтықтар, газдар немесе шаң жиылған жарылыс қаупі бар ортада өлшеу құралын пайдаланбаңыз.** Өлшеу құралы ұшқын шығарып, шаңды жандырып, өрт тудыруы мүмкін.



Өлшеу құралын және магниттік керек-жарақтарды имплантаттардың және кардиостимулятор немесе инсулин сорғысы сияқты басқа да медициналық құрылғылардың жанына қоймаңыз. Өлшеу құралы мен керек-жарақтардың магниттері имплантаттардың және медициналық құрылғылардың жұмысына әсер ететін өріс тудырады.

- ▶ **Өлшеу құралы мен магнитті аксессуарды магниттік дерек тасығыштар мен магнитке сезімтал құрылғылардан алшақ ұстаңыз.** Өлшеу құралы мен аксессуар магниттерінің әсері деректердің қайтымсыз жойылуына әкелуі мүмкін.

Өнім және құат сипаттамасы

Пайдалану нұсқаулығының алғы бөлігінің суреттерін ескеріңіз.

Тағайындау бойынша қолдану

Өлшеу құралы көлденең және тік сызықтарды және перпендикуляр негіздерін есептеп тексеруге арналған. Өлшеу құралы ішкі аймақтарда пайдалануға арналмаған. Бұл өнім EN 50689 стандартына сәйкес тұтынушы лазерлік өнімі болып табылады.

Көрсетілген құрамдас бөлшектер

Көрсетілген құрамдастар нөмірі суреттер бар беттегі өлшеу құралының сипаттамасына қатысты.

- (1) Лазер сәулесінің шығыс саңылауы
- (2) Батарея бөлімі қақпағының бекіткіші

- (3) Батарея бөлімінің қақпағы
 - (4) Сериялық нөмір
 - (5) Лазер ескерту тақтасы
 - (6) Өлшеу құралының бекіткіш ойықтары
 - (7) Ажыратқыш
 - (8) Айналма платформаның ватерпасы
 - (9) Айналма платформаның 5/8 дюймдік штатив бекіткіші
 - (10) Айналма платформаның биіктікті реттегіш бұрандасы
 - (11) Айналма платформаның дәлдеп реттеу бұрандасы
 - (12) Айналма платформа
 - (13) Айналма платформаның бекіткіш ойықтары
 - (14) Маятникті бұғаттау индикаторы
 - (15) Қабылдағыш режимінің индикаторы
 - (16) Күй индикаторы
 - (17) Қабылдағыш режимінің түймесі
 - (18) Тік жұмыс режимі түймесі
 - (19) Көлденең жұмыс режимі түймесі
 - (20) Штатив адаптері^{a)}
 - (21) 1/4 дюймдік штатив^{a)}
 - (22) Лазер қабылдағышы^{a)}
 - (23) Магнит^{a)}
 - (24) Лазер қабылдағышының ұстағышы^{a)}
 - (25) Лазер көру көзілдірігі^{a)}
 - (26) Лазер нысандық тақтасы^{a)}
 - (27) Қорғаныш қалта
 - (28) 5/8 дюймдік штатив^{a)}
 - (29) Телескоптық қарнақ^{a)}
- a) Бейнеленген немесе сипатталған керек-жарақтар стандартты жеткізілім жиынтығымен қамтылмайды. Толық керек-жарақтарды біздің керек-жарақтар бағдарламасынан табасыз.

Техникалық мәліметтер

Лазерлік уровень	GLL 5-50 X
Өнім нөмірі	3 601 K63 F..
Жұмыс диапазоны ^{a)}	
– Стандартты лазер сызықтары	15 м
– Қабылдағыш режимі арқылы лазер сызықтары	10 м
– Лазер қабылдағышы арқылы лазер сызықтары	5–50 м
– Перпендикуляр табаны	5 м
Нивелирлеу дәлдігі ^{b)c)}	
– көлденең лазер сызығы	±0,2 мм/м
– тік лазер сызықтары	±0,3 мм/м
– Перпендикуляр табаны	±0,7 мм/м

Лазерлік уровень	GLL 5-50 X
Өздігінен нивелирлеу диапазоны	±3°
Нивелирлеу уақыты	< 4 с
Жұмыс температурасы	-10°C ... +45°C
Сақтау температурасы	-20°C ... +70°C
Негізгі биіктіктің үстіндегі макс. пайдалану биіктігі	2000 м
Салыстырмалы ауа ылғалдылығы, макс.	90%
Ластану дәрежесі IEC 61010-1 стандарты бойынша	2 ^{DI}
Лазер класы	2
Лазер түрі	< 1 мВт, 630-650 нм
C ₆	1
Айырмашылық	
- Лазер сызығы	1,5 мрад
- Перпендикуляр табаны	1,5 мрад
Қабылдағыш режимсіз пайдалану	Үздіксіз сәулелену (CW)
Ең қысқа импульс ұзақтығы (қабылдағыш режимінде пайдалану)	0,05 мс
Импульс жиілігі (қабылдағыш режимінде пайдалану)	10 кГц
Штатив бекіткіші ^{E1}	5/8 дюйм
Батареялар	4 × 1,5 В LIR6 (AA)
Жұмыс ұзақтығы шам. ^{B1}	
- 1 лазер сызығымен	24 сағ
- 2 лазер сызығымен	14 сағ
- 3 лазер сызығымен	10 сағ
- 5 лазер сызығымен	6 сағ
Салмағы	0,54 кг
EPTA-Procedure 01:2014 құжатына сай	
Өлшемдері (ұзындығы × ені × биіктігі)	
- Айналма платформасыз	122 × 83 × 129 мм
- Айналма платформамен	Ø 151 × 203 мм

Лазерлік уровень	GLL 5-50 X
Қорғаныс дәрежесі (батарея бөлімінен тыс)	IP54 (шаң мен шашыранды судан қорғалған)

- A) Жұмыс аймағын қолайсыз қоршау шарттарында (мысалы тікелей күн сәулелерінде) қысқарту мүмкін.
- B) **20-25 °C**
- C) Көрсетілген мәндер қалыпты және жағымды қоршаған орта шарттарын (мысалы, дірілсіз, тұмансыз, түтінсіз, тікелей күн сәулесінсіз) талап етеді. Температура шұғыл өзгерген жағдайда, дәлдік ауытқуы мүмкін.
- D) Тек қана тоқ өткізбейтін лас пайда болады, бірақ кейбір жағдайларда еру нәтижесінде тоқ өткізу қабілеті пайда болуы күтіледі.
- E) айналма платформамен қиыстырғанда ғана қолжетімді Өлшеу құралының зауыттық тақтайшадағы сериялық нөмірі **(4)** оны дұрыс анықтауға көмектеседі.

Жинау

Батареяларды салу/алмастыру

Өлшеу құралы үшін алкалин марганец батареясын пайдалану ұсынылады.

Батарея бөлімінің қақпағын **(3)** ашу үшін ысырманы **(2)** басып, қақпақты алып тастаңыз. Батареяларды енгізіңіз.

Батарея бөлімінің ішіндегі суретте көрсетілгендей полюстардың дұрыс орналасуын қамтамасыз етіңіз.

Күй индикаторы **(16)** жыпылықтаса, бұл батареяларды алмастыру керек екендігін білдіреді.

Барлық батареяларды бірдей алмастырыңыз. Тек бір өндірушінің және қуаты бірдей батареяларды пайдаланыңыз.

► Өлшеу құралын ұзақ уақыт пайдаланбасаңыз, батареяны өлшеу құралынан шығарып алыңыз.

Ұзақ уақыт сақтаған жағдайда, өлшеу құралындағы батареяларды тот басуы және олардың заряды өздігінен таусылуы мүмкін.

Айналма платформамен жұмыс істеу (А суретін қараңыз)

Айналма платформаның **(12)** көмегімен өлшеу құралын 360°-қа орталық, әрдайым көрінетін перпендикуляр негізіне бұрауға болады. Осылайша лазер сызықтары дәл бағытталады да, өлшеу құралының орналасуы өзгермейді.

Өлшеу құралын айналма платформаға **(12)**, айналма платформаның бекіткіш ойықтары **(13)** өлшеу құралының астыңғы жағындағы тиісті бекіткіш ойықтардың **(6)** арасында тура орналасатындай, орнатыңыз. Өлшеу құралын айналма платформада құлыптау үшін сағат тілінің бағытымен бұраңыз.

Айналма платформаның **(12)** аяқтарын биіктікті реттегіш бұрандалармен **(10)** бұрап шығарыңыз.

Айналма платформаны ватерпастың **(8)** көмегімен шамамен туралаңыз.

Егер өлшеу құралы бұрама платформаға **(12)** орнатылған, тік лазер сызықтарын дәлдеп реттеу

бұраңдамасының **(11)** көмегімен сілтемелік нүктелермен туралауға болады.

Пайдалану

Пайдалануға ендіру

- ▶ **Өлшеу құралын сыздан және тікелей күн сәулелерінен сақтаңыз.**
- ▶ **Өлшеу құралына айрықша температура немесе температура өзгерістерінің әсерін тигізуге болмайды.** Оны, мысалы, автомобиль ішінде ұзақ уақытқа қалдырмаңыз. Температура өзгерістері шұғыл болған жағдайда, алдымен өлшеу құралының тұрақты температурасын сақтаңыз және жұмысты жалғастырмастан бұрын әрдайым дәлдік тексерісін өткізіңіз (қараңыз „Өлшеу құралының дәлдігін тексеру“, Бет 59).
- ▶ **Айрықша температура немесе температура өзгерістері орын алған жағдайда, өлшеу құралының дәлдігі төмендеуі мүмкін.**
- ▶ **Өлшеу құралын қатты соғылудан немесе түсуден сақтаңыз.** Сыртқы күшті әсерлерден кейін өлшеу құралының жұмысын жалғастырудан бұрын әрдайым дәлдік тексеруін орындау керек (қараңыз „Өлшеу құралының дәлдігін тексеру“, Бет 59).
- ▶ **Өлшеу құралын тасымалдаудан алдын оны қосыңыз.** Өшуде тербелу бөлігі бұғатталады, әйтпесе ол қатты әрекеттерде зақымдалуы мүмкін.

Қосу/өшіру

Өлшеу құралын **қосу** үшін ажыратқышты **(7)** "On" күйіне (маятникті бұғаттау тетігімен жұмыс істеу үшін) немесе "On" күйіне (нивелирлеу автоматикасымен жұмыс істеу үшін) жылжытыңыз. Күй индикаторы **(16)** жанады. Өлшеу құралы қосылғаннан кейін бірден алдыңғы шығыс саңылаудан **(1)** көлденең лазер сызығын шығарады.

- ▶ **Лазер сәулесін адамдарға немесе жануарларға бағыттамаңыз және тіпті алыстан болсын жарық сәулесіне өзіңіз қарамаңыз.**

Өлшеу құралын **өшіру** үшін ажыратқышты **(7)** "Off" күйіне жылжытыңыз. Күй индикаторы **(16)** сөнеді. Өшіру кезінде тербелу блогы бұғатталады.

- ▶ **Қосуды зарядтау құралын бақылаусыз қалдырмаңыз және өлшеу құралын пайдаланудан соң өшіріңіз.** Лазер сәулесімен адамдардың көзін шағылыстыру мүмкін.

45 °C шамасындағы рұқсат етілген макс. жұмыс температурасынан асырған жағдайда лазер диоды қорғаныс үшін өшеді. Суығаннан соң өлшеу құралы қайта қосылуы мүмкін.

Өшіру автоматикасын ажырату

Өлшеу құралы **30** минут жұмыс істегеннен кейін автоматты түрде өшеді.

Өшіру автоматикасын ажырату үшін өлшеу құралын қосқан кезде тік жұмыс режимі түймесін **(18)** немесе

көлденең жұмыс режимі түймесін **(19)** 3 секунд басып тұрыңыз. Өшіру автоматикасы ажыратылған болса, лазер сәулелері 3 секундтан кейін қысқа уақытта жыпылықтайды.

Автоматты түрде өшіру функциясын іске қосу үшін өлшеу құралын өшіріп қайта қосыңыз (түймені баспай).

Пайдалану түрлері

Өлшеу құралында бірнеше жұмыс режимі бар, оларды әркез ауыстыруға болады. Көлденең және тік жұмыс режимдерін бір-бірінен бөлек қосып өшіруге болады. Өлшеу құралы қосылғаннан кейін көлденең жұмыс режимінде болады.

Жұмыс режимдерінің барлығын нивелирлеу автоматикасымен де, маятникті бұғаттау тетігімен де таңдауға болады.

Көлденең жұмыс режимі (B суретін қараңыз)

Көлденең жұмыс режимінде өлшеу құралы көлденең лазер сызығын алға қарай шығарады.

Көлденең лазер сызығын өшіру немесе қосу үшін көлденең жұмыс режимі түймесін **(19)** басыңыз.

Тік жұмыс режимі және перпендикуляр табаны (C-E суреттерін қараңыз)

Өлшеу құралында бірнеше тік жұмыс режимі бар:

- Алға қаратылған тік лазер сызығы,
- Алға және оң жаққа қаратылған тік лазер сызығы,
- Алға және артқа қаратылған тік лазер сызығы,
- Барлық төрт жаққа қаратылған тік лазер сызықтары.

Оған қоса тік жұмыс режимінде әрдайым перпендикуляр табаны төмен қарай проекцияланады.

Тік жұмыс режимін қосу немесе өшіру үшін және тік жұмыс режимін ауыстыру үшін тік жұмыс режимі түймесін **(18)** қалаулы жұмыс режиміне қол жеткізгенше басыңыз.

Қабылдағыш режим

Лазер қабылдағышымен **(22)** жұмыс істеу үшін пайдалану түріне байланыссыз қабылдағыш режимді белсендіруге болады.

Қабылдағыш режимде лазер сызықтары жоғары жиілікте жыпылықтап, лазер қабылдағышы үшін **(22)** көрінетін болады.

Қабылдағыш режимін қосу үшін қабылдағыш режимінің түймесін **(17)** басыңыз. Қабылдағыш режимінің индикаторы **(15)** қызыл түспен жанады.

Адам көзі үшін қабылдағыш режим қосуды болғанда лазер сызықтарының көрінісі төмендетіледі. Лазер қабылдағышысыз жұмыс істегенде қабылдағыш режимді **(17)** түймесін қайта басып өшіріңіз. Қабылдағыш режимінің **(15)** көрсеткіші өшеді.

Нивелирлеу автоматикасы

Нивелирлеу автоматикасымен жұмыс істеу

Өлшеу құралын көлденең берік бетке қойыңыз немесе айналма платформаға **(12)** бекітіңіз.

Нивелирлеу автоматикасымен жұмыс істеу үшін қосқыш/өшіргішті (7) "On" күйіне жылжытыңыз.

Нивелирлеу автоматикасы $\pm 3^\circ$ шамасындағы өздігінен нивелирлеу аймағында тегіс емес жерлерді автоматты түрде тегістейді. Лазер сызықтары одан ары қозғалмаса, нивелирлеу аяқталады.

Автоматты түрде нивелирлеу мүмкін болмаса, мысалы, өлшеу құралы тұрған бет көлденең сызықтан 3° шамасынан артық ауытқыған болса, лазер сәулелері жылдам жыпылықтайды.

Бұл жағдайда өлшеу құралын көлденеңінен қойып, өздігінен нивелирлеу аяқталғанша күтіңіз. Өлшеу құралы $\pm 3^\circ$ өздігінен нивелирлеу аймағында тұрса, лазер сәулелері үздіксіз жанады.

Пайдалану кезінде қағылыстар болса немесе күй өзгерсе өлшеу құралы автоматты ретте өзін нивелирлейді. Нивелирлеуден соң өлшеу құралының жылжуы арқылы пайда болуы мүмкін қателердің алдын алу үшін лазерлік сызықтардың күйін негізгі нүктелерге салыстырып тексеріңіз.

Маятникті бұғаттау тетігімен жұмыс істеу

Маятникті бұғаттау тетігімен жұмыс істеу үшін ажыратқышты (7) "On" күйіне жылжытыңыз. Маятникті бұғаттау индикаторы (14) қызыл түспен жанып тұрады және лазер сызықтары бояу жыпылықтайды.

Маятникті бұғаттау тетігімен жұмыс істеген кезде, нивелирлеу автоматикасы өшіріледі. Өлшеу құралын еркін қолда ұстауға немесе еңіс бетке қоюға болады. Лазер сәулелері бұдан былай нивелирленбейді және бір-біріне тігінен өтпейді.

Өлшеу құралының дәлдігін тексеру

Дәлдік әсерлері

Қоршау температурасы ең күшті әсер етеді. Еденнен жоғарыға болған температура өзгерістері лазер сәулесін ауытқуы мүмкін.

Жерден көтерілген жылудан температуралық әсерлерді барынша азайту үшін, өлшеу құралын штативте пайдалануға кеңес беріледі. Оған қоса өлшеу құралын мүмкіндігінше жұмыс аймағының ортасына қойыңыз.

Сыртқы әсерлерден тыс аспаптық әсерлер де (мысалы қағылыс немесе қатты соққылар) ауытқуларға алып келуі мүмкін. Сол үшін әр жұмыстан алдын нивелирлеу дәлдігін тексеріңіз.

Алдымен көлденең лазерлік сызықтың биіктік пен нивелирлеу дәлдігін және тік лазерлік сызықтың нивелирлеу дәлігін тексеріп шығыңыз.

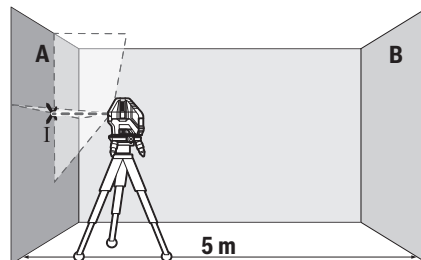
Егер өлшеу құралы тексеру кезінде максималды ауытқудан асырса, оны **Bosch** сервистік орталығында жөндетіңіз.

Көлденең сызықтың биіктік дәлдігін тексеру

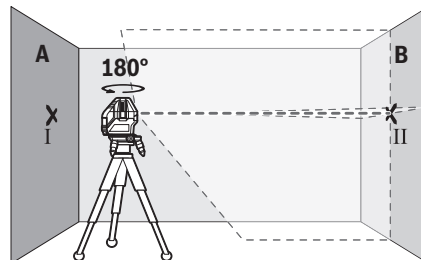
Тексеру үшін 5 м бос өлшеу қашықтығы қатты жерде А мен В екі қабырғаның арасында керек болады.

- Өлшеу құралын А қабырғасының жанында айналма платформаның (12) немесе штативтің (28) үстіне

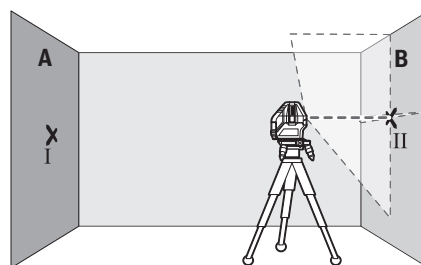
монтаждаңыз немесе оны берік, тегіс бетке қойыңыз. Өлшеу құралын нивелирлеу автоматикасымен жұмыс режимінде іске қосыңыз. Көлденең жұмыс режимі мен тік жұмыс режимін, тік лазер сызығын алға қаратып, қосыңыз.



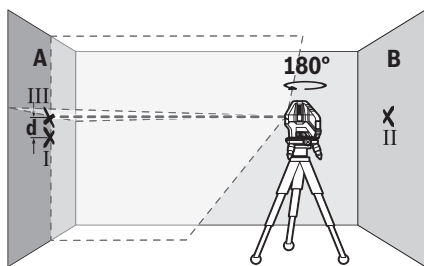
- Лазерді жақын А қабырғасына бағыттап, өлшеу құралын нивелирлеңіз. Лазер сызықтары қабырғада айқыш-ұйқыш нүктесінің ортасын белгілеңіз (I нүктесі).



- Өлшеу құралын 180° бұрап, оны нивелирлеп лазер сызықтарының арғы В қабырғасындағы айқыш-ұйқыш нүктесін белгілеңіз (II нүктесі).
- Өлшеу құралын бұрмай В қабырғасының қасында қойып, қосыңыз да нивелирлеңіз.



- Өлшеу құралының биіктігін (штативтер немесе бар болса тіреуіш көмегімен) лазер сызықтарының айқыш-ұйқыш нүктесі В қабырғасында алдымен белгіленген нүктеге II сәйкес болатындай бағыттаңыз.



- Өлшеу құралын 180° бұрап биіктігін өзгертпеңіз. Оны А қабырғасына тік лазер сызығы белгіленген I нүктесінен өтетін етіп бағыттаңыз. Өлшеу құралын нивелирлеп, лазер сызықтарының айқыш-ұйқыш нүктесін А қабырғасында (III нүктесі) белгілеңіз.
- А қабырғасындағы I мен III екі белгіленген нүктенің **d** айырмашылығы өлшеу құралының дәл биіктіктен ауытқуын көрсетеді.

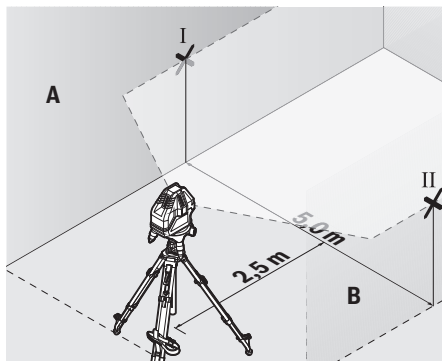
$2 \times 5 \text{ м} = 10 \text{ м}$ өлшеу қашықтығындағы рұқсат етілген максималды ауытқу:

$10 \text{ м} \times \pm 0,2 \text{ мм/м} = \pm 2 \text{ мм}$. I мен III нүктелері арасындағы **d** айырмашылығы ең көбі 2 мм құрауы тиіс.

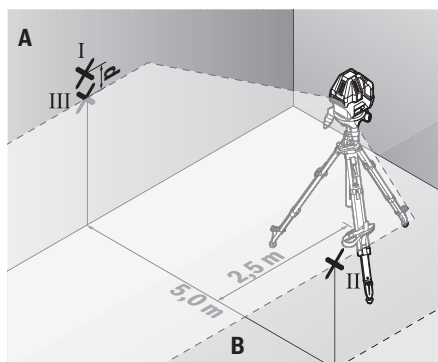
Көлденең сызықтың нивелирлеу дәлдігін тексеру

Тексеру үшін шам. $5 \times 5 \text{ м}$ бос кеңістік керек.

- Өлшеу құралын А мен В қабырғаларының арасындағы ортада айналма платформаның (12) немесе штативтің (28) үстіне монтаждаңыз немесе оны берік, тегіс бетке қойыңыз. Өлшеу құралын нивелирлеу автоматикасымен жұмыс режимінде іске қосыңыз. Көлденең жұмыс режимін қосып, өлшеу құралын нивелирлеңіз.



- Өлшеу құралынан $2,5 \text{ м}$ қашықтықта екі қабырғада лазерлік сызық ортасын белгілеңіз (А қабырғасында I нүкте, В қабырғасында II нүкте).



- Өлшеу құралын 180° -қа бұрап 5 м арақашықтықта орнатыңыз және нивелирлеңіз.
- Өлшеу құралының биіктігін (штатив немесе қажет болса, тіреуіш көмегімен) лазерлік сызық ортасы В қабырғасында алдын ала белгіленген II нүктеге сәйкес болатындай туралаңыз.
- А қабырғасында лазерлік сызық ортасын III нүкте ретінде белгілеңіз (I нүктенің үстінде немесе астында тігінен).
- А қабырғасындағы екі белгіленген I мен III нүктенің **d** айырмашылығы өлшеу құралының көлденең сызықтан дәл ауытқуын көрсетеді.

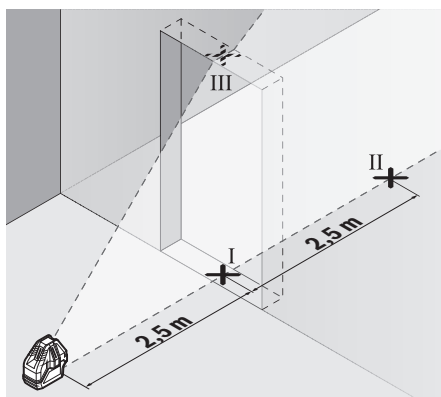
$2 \times 5 \text{ м} = 10 \text{ м}$ өлшеу қашықтығындағы рұқсат етілген максималды ауытқу:

$10 \text{ м} \times \pm 0,2 \text{ мм/м} = \pm 2 \text{ мм}$. I мен III нүктелер арасындағы **d** айырмашылығы ең көбі 2 мм құрауы тиіс.

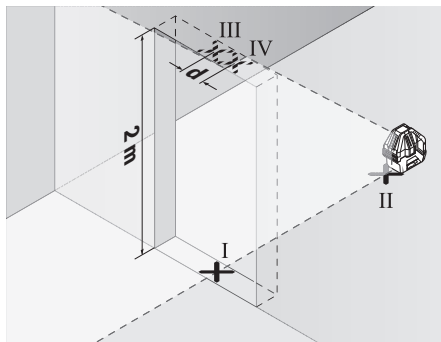
Тік сызықтың нивелирлеу дәлдігін тексеріңіз

Тексеру үшін (қатты табанда) есіктің әр жағынан кемінде $2,5 \text{ м}$ жай болатын есік тесігі керек.

- Өлшеу құралын есік саңылауынан $2,5 \text{ м}$ арақашықтықта берік, тегіс бетке орналастырыңыз (айналма платформада (12) немесе штативте емес). Өлшеу құралын нивелирлеу автоматикасымен жұмыс режимінде іске қосыңыз. Тік жұмыс режимін, тік лазер сызығын алға қаратып, қосыңыз және лазер сызығын есік саңылауына бағыттаңыз. Өлшеу құралын нивелирлеңіз.



- Тік лазер сызығының орталығын есік тесігінің еденінде (I нүктесі), 5 м қашықтықта есік тесігінің басқа жағында (II нүктесі) және есік тесігінің жоғарғы шетінде (III нүктесі) белгілеңіз.



- Өлшеу құралын 180° бұрап, есік тесігінің басқа жағында тікелей II нүктесінің артында орнатыңыз. Өлшеу құралын нивелирлеп, тік лазер сызығын орталығы нақты I мен II нүктелерінен өтетін етіп бағыттаңыз.
- Лазер сызығының орталығын есік тесігінің жоғарғы шетінде IV нүктесі ретінде белгілеңіз.
- А қабырғасындағы III мен IV екі белгіленген нүктенің d айырмашылығы өлшеу құралының дәл биіктіктен ауытқуын көрсетеді.
- Есік тесігінің биіктігін өлшеңіз.

Максималды рұқсат етілетін ауытқу төмендегідей есептеледі:

есік тесігінің қос биіктігі $\times 0,3$ мм/м

Мысал: есік тесігінің 2 м биіктігіндегі максималды ауытқу: $2 \times 2 \text{ м} \times \pm 0,3 \text{ мм/м} = \pm 1,2 \text{ мм}$. Сондықтан III мен IV нүктелердің аралығы ең көбі 1,2 мм болуы керек.

Пайдалану нұсқаулары

- Белгілеу үшін әрдайым тек лазерлік нүктенің немесе лазерлік сызықтың ортасын

пайдаланыңыз. Лазерлік нүктенің өлшемі немесе лазерлік сызықтың ені қашықтықпен өзгереді.

Лазер нысандық тақтасын пайдалану

Лазер нысандық тақтасы (26) қолайсыз жағдайда және ұзақ қашықтықтарда лазер сызығының көрінісін жақсартады.

Лазер нысандық тақтасының қайтаратын жазықтығы (26) лазер сызығының көрінуін жақсартып, мөлдір жазықтығы арқылы лазер сызығы лазер нысандық тақтасының артынан да көрінеді.

Штативпен жұмыс істеу (керек-жарақ) (F суретін қараңыз)

Штатив биіктігін реттеуге болатын, тұрақты өлшеу тірегі ұсынады. Өлшеу құралын штативке монтаждау үшін оны айналма платформаға (12) қойыңыз.

5/8 дюймдік штативке монтаждау: айналма платформаны 5/8 дюймдік штатив бекіткішімен (9) 5/8 дюймдік штативтің (28) немесе әдеттегі құрылыстық штативтің ирек оймасына орнатыңыз. Айналма платформаны штативтің бекіткіш бұрандасымен бұрап бекітіңіз.

1/4 дюймдік штативке монтаждау (F суретін қараңыз): штатив адаптерін (20) (керек-жарақ) айналма платформаның 5/8 дюймдік штатив бекіткішіне (9) бұрап кіргізіңіз. Штатив адаптерін 1/4 дюймдік штатив бекіткішімен 1/4 дюймдік штативтің (21) немесе әдеттегі фотоштативтің ирек оймасына орнатыңыз. Штатив адаптерін штативтің реттегіш бұрандасымен бұрап бекітіңіз.

Өлшеу құралын қосудан алдын штативті бағыттаңыз.

Лазер қабылдағышымен жұмыс істеу (керек-жарақ)

Қолайсыз жарықтық жағдайында (жарық қоршау, тікелей күн сәулелері) және ұзақ қашықтықтарда лазер сәулесінің дұрыс табылуы үшін (22) лазер қабылдауышын пайдаланыңыз. Лазер қабылдағышымен жұмыс істегенде қабылдау режимін қосыңыз (қараңыз „Қабылдағыш режим“, Бет 58).

Лазер көру көзілдірігі (керек-жарақ)

Лазер көру көзілдірігі қоршау жарықтығын сүзгілейді. Осылай лазер жарығы көз үшін жарқынрақ болады.

► **Лазер көру көзілдірігін (керек-жарақ) қорғаныш көзілдірігі ретінде пайдаланбаңыз.** Лазер көру көзілдірігі лазер сәулесін жақсырақ көру үшін қолданылады, алайда лазер сәулесінен қорғамайды.

► **Лазер көру көзілдірігін (керек-жарақ) күннен қорғайтын көзілдірік ретінде немесе жол қозғалысында пайдаланбаңыз.** Лазер көру көзілдірігі ультракүлгін сәулелерден толық қорғанысты қамтамасыз етпейді және түсті сезу қабілетін азайтады.

Жұмыс мысалдары (B-E суреттерін қараңыз)

Өлшеу құралын пайдалану мүмкіндіктерінің мысалдары суреттер беттерінде берілген.

Техникалық күтім және қызмет

Қызмет көрсету және тазалау

Өлшеу құралын таза ұстаңыз.

Өлшеу құралын суға немесе басқа сұйықтықтарға батырмаңыз.

Ластануларды суланған, жұмсақ шүберекпен сүртіңіз. Жуғыш заттарды немесе еріткіштерді пайдаланбаңыз.

Лазер шығыс тесігіндегі аймақтарды сапалы тазалайтын қылшықтарға назар аударыңыз.

Өлшеу құралын тек қорғайтын қабында (27) сақтаңыз және тасымалдаңыз.

Жөндеу үшін өлшеу құралын қорғау қалтасында (27) жіберіңіз.

Тұтынушыға қызмет көрсету және пайдалану кеңестері

Қызмет көрсету орталығы өнімді жөндеу және оған техникалық қызмет көрсету, сондай-ақ қосалқы бөлшектер туралы сұрақтарға жауап береді. Құрамдас бөлшектер бойынша кескін мен қосалқы бөлшектер туралы мәліметтер төмендегі мекенжай бойынша қолжетімді:

www.bosch-pt.com

Bosch қызметтік кеңес беру тобы біздің өнімдер және олардың керек-жарақтары туралы сұрақтарыңызға жауап береді.

Сұрақтар қою және қосалқы бөлшектерге тапсырыс беру кезінде міндетті түрде өнімнің фирмалық тақтайшасындағы 10 таңбалы өнім нөмірін беріңіз.

Өндіруші талаптары мен нормаларының сақталуымен электр құралын жөндеу және кепілді қызмет көрсету барлық мемлекеттер аумағында тек “Роберт Бош” фирмалық немесе авторизацияланған қызмет көрсету орталықтарында орындалады. ЕСКЕРТУ! Заңсыз жолмен әкелінген өнімдерді пайдалану қауіпті, денсаулығыңызға зиян келтіруі мүмкін. Өнімдерді заңсыз жасау және тарату әкімшілік және қылмыстық тәртіп бойынша Заңмен қудаланады.

Қазақстан

Тұтынушыларға кеңес беру және шағымдарды қабылдау орталығы:

“Роберт Бош” (Robert Bosch) ЖШС

Алматы қ.,

Қазақстан Республикасы

050012

Муратбаев к., 180 үй

“Гермес” БО, 7 қабат

Тел.: +7 (727) 331 31 00

Факс: +7 (727) 233 07 87

E-Mail: ptka@bosch.com

Сервистік қызмет көрсету орталықтары мен қабылдау пунктерінің мекен-жайы туралы толық және өзекті ақпаратты Сіз: www.bosch-professional.kz ресми сайттан ала аласыз

Қызмет көрсету орталықтарының басқа да мекенжайларын мына жерден қараңыз:

www.bosch-pt.com/serviceaddresses

Кәдеге жарату

Өлшеу құралын, оның жабдықтары мен қаптамасын қоршаған ортаны қорғайтын кәдеге жарату орнына тапсыру қажет.



Қлшеу құралдарын не батареяларды үй қоқысына тастамаңыз!

Тек қана ЕО елдері үшін:

Ескі электрлік және электрондық құрылғылар туралы 2012/19/EU еуропалық директивасы және оның ұлттық заңнамада қолданылуы бойынша пайдалануға бұдан былай жарамсыз өлшеу құралдарын және 2006/66/EC еуропалық директивасы бойынша зақымдалған немесе ескірген аккумуляторларды/батареяларды бөлек жинап, қоршаған орта үшін қауіпсіз жолмен қайта өңдеуге жіберу қажет.

Қате жолмен кәдеге жаратылған ескі электрлік және электрондық құрылғылар қауіпті заттардың болу мүмкіндігіне байланысты қоршаған ортаға және адам денсаулығына зиянды әсер тигізуі мүмкін.

Македонски

Безбедносни напомени



Сите упатства треба да се прочитаат и да се внимава на нив, за да може безбедно и без опасност да работите со мерниот уред. Доколку мерниот уред не се користи согласно приложените инструкции, може да се наруши функцијата на вградените заштитни механизми во мерниот уред. Не ги оштетувајте налепниците за предупредување. **ДОБРО ЧУВАЈТЕ ГИ ОВИЕ УПАТСТВА И ПРЕДАДЕТЕ ГИ ЗАЕДНО СО МЕРНИОТ УРЕД.**

- ▶ **Внимание – доколку користите други уреди за подесување и ракување освен овде наведените или поинакви постапки, ова може да доведе до опасна изложеност на зрачење.**
- ▶ **Мерниот уред се испорачува со ознака за предупредување за ласерот (означено на приказот на мерниот уред на графичката страна).**
- ▶ **Доколку текстот на ознаката за предупредување за ласерот не е на Вашиот јазик, врс него залепете ја налепницата на Вашиот јазик пред првата употреба.**



Не го насочувајте лазерскиот зрак кон лица или животни и немојте и Вие самите да гледате во директниот или рефлектирачкиот лазерски зрак. Така може да ги заслепите лицата, да предизвикате несреќи или да ги оштетите очите.

- ▶ **Доколку лазерскиот зрак досее до очите, веднаш треба да ги затворите и да ја тргнете главата од лазерскиот зрак.**
- ▶ **Не правете промени на лазерскиот уред.**
- ▶ **Не ги користете лазерските заштитни очила (дополнителна опрема) како заштитни очила.** Лазерските заштитни очила служат за подобро распознавање на лазерскиот зрак; сепак, тие не штитат од лазерското зрачење.
- ▶ **Не ги користете лазерските заштитни очила (дополнителна опрема) како очила за сонце или пак во сообраќајот.** Лазерските очила не даваат целосна UV-заштита и го намалуваат препознавањето на бои.
- ▶ **Мерниот уред смее да се поправа само од страна на квалификуван стручен персонал и само со оригинални резервни делови.** Само на тој начин ќе бидете сигурни во безбедноста на мерниот уред.
- ▶ **Не ги оставајте децата да го користат лазерскиот мерен уред без надзор.** Без надзор, тие може да се заслепат себеси или други лица.
- ▶ **Не работете со мерниот уред во околина каде постои опасност од експлозија, каде има запаливи течности, гас или прашина.** Мерниот уред создава искри, кои може да ја запалат правта или пареата.



Не ги принесувајте мерниот уред и магнетната опрема во близина на импланти или други медицински уреди, на пр. пејсмејкери или инсулинска пумпа. Преку магнетите на мерниот уред и опремата се произведува поле, коешто може да ја наруши функцијата на имплантите или медицинските уреди.

- ▶ **Држете ги мерниот уред и магнетната опрема подалеку од магнетни носачи на податоци и уреди чувствителни на магнет.** Поради влијанието на магнетите од мерниот уред и опремата може да дојде до неповратни загуби на податоците.

Опис на производот и перформансите

Внимавајте на сликите во предниот дел на упатството за користење.

Употреба со соодветна намена

Мерниот уред е наменет за одредување и проверка на хоризонтални и вертикални линии, како и точки на вертикалата.

Мерниот уред е погоден за користење во внатрешен простор.

Овој производ е потрошувачки лазерски производ во согласност со EN 50689.

Илустрација на компоненти

Нумерирањето на сликите со компоненти се однесува на приказот на мерниот уред на графичката страница.

- (1) Излезен отвор за лазерскиот зрак
- (2) Фиксирање на капакот од преградата за батерии
- (3) Капак на преградата за батерии
- (4) Сериски број
- (5) Натпис за предупредување на лазерот
- (6) Жлебови за прицврстување на мерниот уред
- (7) Прекинувач за вклучување/исклучување
- (8) Либела на ротирачката платформа
- (9) Прифат на стативот 5/8" на ротирачката платформа
- (10) Завртка за подесување на висината на ротирачката платформа
- (11) Завртка за фино подесување на ротирачката платформа
- (12) Ротирачка платформа
- (13) Жлебови за прицврстување на ротирачката платформа
- (14) Приказ осцилаторна блокада
- (15) Приказ режим на приемник
- (16) Приказ за статус
- (17) Копче режим на приемник
- (18) Копче за вертикален режим
- (19) Копче за хоризонтален режим
- (20) Адаптер за статив^{a)}
- (21) Статив 1/4^{na)}
- (22) Лазерски приемник^{a)}
- (23) Магнет^{a)}
- (24) Држач за лазерскиот приемник^{a)}
- (25) Лазерски заштитни очила^{a)}
- (26) Лазерска целна табла^{a)}
- (27) Заштитна чанта
- (28) Статив 5/8^{na)}
- (29) Телескопска прачка^{a)}

a) Опишаната опрема прикажана на сликите не е дел од стандардниот обем на испорака. Целосната опрема може да ја најдете во нашата Програма за опрема.

Технички податоци

Линиски лазер	GLL 5-50 X
Број на дел	3 601 K63 F..
Работно поле ^{A)}	

Линиски ласер	GLL 5-50 X
– Стандардни ласерски линии	15 m
– Ласерски линии со режим на приемник	10 m
– Ласерски линии со ласерски приемник	5–50 m
– Точка на вертикалата	5 m
Точност на нивелирање ^{B)C)}	
– Хоризонтална ласерска линија	±0,2 mm/m
– Вертикални ласерски линии	±0,3 mm/m
– Точка на вертикалата	±0,7 mm/m
Поле на самонивелирање	±3°
Време на нивелирање	< 4 s
Оперативна температура	-10 °C ... +45 °C
Температура при складирање	-20 °C ... +70 °C
Макс. оперативна висина преку референтната висина	2000 m
макс. релативна влажност на воздухот.	90 %
Степен на извалканост според IEC 61010-1	2 ^{D)}
Класа на ласер	2
Тип на ласер	< 1 mW, 630–650 nm
С ₆	1
Отстапување	
– Ласерска линија	1,5 mrad
– Точка на вертикалата	1,5 mrad
Работење без режим на приемник	Непрекинат радио бран (CW)
Најкратко времетраење на импулсот (работење во режим на приемник)	0,05 ms
Стапка на пулс (работење во режим на приемник)	10 kHz
Прифат за стативот ^{E)}	5/8"
Батерии	4 × 1,5 V LR6 (AA)
Времетраење на работа околу ^{B)}	
– Со 1 ласерска линија	24 h
– Со 2 ласерски линии	14 h
– Со 3 ласерски линии	10 h
– Со 5 ласерски линии	6 h
Тежина согласно ЕРТА-Procedure 01:2014	0,54 kg
Димензии (должина × ширина × висина)	
– Без ротирачка платформа	122 × 83 × 129 mm
– Со ротирачка платформа	∅ 151 × 203 mm

Линиски ласер	GLL 5-50 X
Вид на заштита (освен преградата за батерии)	IP54 (заштита од прав и прскање вода)

- A) Работното поле може да се намали поради неповолни услови на околината (на пр. директна изложеност на сончеви зраци).
- B) кај **20–25 °C**
- C) Дадените вредности предвидуваат нормални до поволни услови на околината (на пр. нема вибрации, нема магла, нема чад, нема изложеност на сончеви зраци). По екстремни температури може да дојде до отстапување во точноста.
- D) Настануваат само неспроводливи нечистотии, но повремено се очекува привремена спроводливост предизвикана од кондензација.
- E) достапно само во комбинација со ротирачка платформа Серискиот број **(4)** на спецификационата плочка служи за јасна идентификација на Вашиот мерен уред.

Монтажа

Ставање/менување на батерии

За работа со мерниот уред се препорачува користење на алкално-мангански батерии.

За да го отворите капакот од преградата за батерии **(3)** притиснете на механизмот за заклучување **(2)** и извадете го капакот од преградата за батерии. Ставете ги батериите.

Притоа внимавајте на половите според приказот на внатрешната страна од преградата за батерии.

Ако трепка приказот за статус **(16)**, тогаш морате да ги промените батериите.

Секогаш заменувајте ги сите батерии одеднаш. Користете само батерии од еден производител и со ист капацитет.

► **Ако не го користите мерниот уред подолго време, извадете ги батериите.** При подолго складирање во мерниот уред, батериите може да кородираат и да се испразнат.

Работење со ротирачка платформа (види слика А)

Со помош на ротирачката платформа **(12)** можете да го вртите мерниот уред за 360° околу централната и секогаш видливата точка на вертикалата. Со тоа точно се поставуваат ласерските линии, без да ја промените позицијата на мерниот уред.

Поставете го мерниот уред на ротирачката платформа **(12)**, така што жлебовите за прицврстување **(13)** на ротирачката платформа ќе се вклопат во соодветните жлебови за прицврстување **(6)** на долната страна на мерниот уред. Вртете го мерниот уред во правец на стрелките на часовникот, за да се блокира на ротирачката платформа.

Одвртете ги ногарките на ротирачката платформа **(12)** со завртки за подесување на висината **(10)**.

Грубо израмнете ја ротирачката платформа со помош на либела **(8)**.

Ако мерниот уред е монтиран на ротирачката платформа (12) тогаш можете точно да ги израмните вертикалните ласерски линии на референтните точки со завртка за фино подесување (11).

Употреба

Ставање во употреба

- ▶ **Заштитете го мерниот уред од влага и директно изложување на сончеви зраци.**
- ▶ **Не го изложувајте мерниот уред на екстремни температури или температурни осцилации.** На пр. не го оставајте долго време во автомобилот. При големи температурни осцилации, оставете го мерниот уред прво да се аклиматизира и направете проверка за точноста секогаш пред да продолжите со работа (види „Контрола на точноста на мерниот уред“, Страница 66).
При екстремни температури или температурни осцилации, прецизноста на мерниот уред може да се наруши.
- ▶ **Избегнувајте удари и превртувања на мерниот уред.** По силни надворешни влијанија на мерниот уред, пред да го употребите за работа, секогаш извршете контрола на точноста (види „Контрола на точноста на мерниот уред“, Страница 66).
- ▶ **Исклучете го мерниот уред за време на транспортот.** При исклучувањето, се блокира осцилирачката единица, која би се оштетила при интензивни движења.

Вклучување/исклучување

За **вклучување** на мерниот уред притиснете го прекинувачот за вклучување/исклучување (7) во позиција „**On**“ (за работење со осцилаторна блокада) или во позиција „**On**“ (за работење со автоматика за нивелирање). Приказот за статус (16) светнува. Веднаш по вклучувањето, мерниот уред испраќа хоризонтална ласерска линија од предниот излезен отвор (1).

- ▶ **Не го насочувајте зракот светлина кон лица или животни и не погледнувајте директно во него, дури ни од голема оддалеченост.**

За **исклучување** на мерниот уред притиснете го прекинувачот за вклучување/исклучување (7) во позиција „**Off**“. Приказот за статус (16) се губи. При исклучување, осцилирачката единица се блокира.

- ▶ **Не го оставајте вклучениот мерен уред без надзор и исклучете го по употребата.** Другите лица може да се заслепат од ласерскиот зрак.

При надминување на највисоката дозволена работна температура од 45 °C се исклучува заради заштита на ласерската диода. Откако ќе се олади, мерниот уред е повторно подготвен за работа и може одново да се вклучи.

Деактивирање на автоматиката за исклучување

Мерниот уред автоматски се исклучува по 30 min работа.

За да ја деактивирате автоматиката за исклучување, при вклучувањето на мерниот уред задржете го копчето за вертикален режим (18) или копчето за хоризонтален режим (19) притиснато 3 s. Доколку автоматиката за исклучување е деактивирана, ласерските зраци кратко трепкаат по 3 s.

За да го активирате автоматското исклучување, исклучете го мерниот уред и повторно вклучете го (без притиснато копче).

Начини на работа

Мерниот уред има повеќе начини на работа, кои може да ги промените во било кое време. Хоризонталниот и вертикалниот режим може да бидат вклучувани и исклучувани независно еден од друг. По вклучувањето, мерниот уред се наоѓа во хоризонтален режим.

Сите начини на работа може да се изберат со автоматика за нивелирање како и со осцилаторна блокада.

Хоризонтален режим (вид слика В)

Во хоризонталниот режим мерниот уред испраќа хоризонтална ласерска линија напред.

За да ја вклучите одн. исклучите хоризонталната ласерска линија, притиснете го копчето за хоризонтален режим (19).

Вертикален режим и точка на вертикала (види слики С–Е)

Мерниот уред располага со повеќе вертикални начини на работа:

- Вертикална ласерска линија напред,
- Вертикална ласерска линија напред и кон десната страна,
- Вертикална ласерска линија напред и наназад,
- Вертикални ласерски линии на сите четири страни.

Дополнително во вертикалниот режим секогаш се проектира точка на вертикала надолу.

За вклучување/исклучување на вертикалниот начин на работа, како и за промена на вертикалниот начин на работа притискајте го копчето за вертикален режим (18) додека не се појави посакуваниот начин на работа.

Режим на приемник

За работење со ласерски приемник (22) мора – независно од избраниот начин на работа – да биде активиран режимот на приемник.

При активиран режим на приемник, ласерските линии трепкаат со многу висока фреквенција и така може да се најде ласерскиот приемник (22).

За вклучување на режимот на приемник притиснете на копчето на ласерскиот приемник (17). Приказот за режим на приемникот (15) свети црвено.

За човечкото око видливоста на ласерските линии е намалена доколку е вклучен режимот на приемник. За работење без ласерски приемник, исклучете го режимот на приемник со одново притискање на копчето Режим на приемникот (17). Приказот (15) се гаси.

Автоматика за нивелирање

Работење со автоматика за нивелирање

Поставете го мерниот уред на хоризонтална, цврста подлога или прицврстете го на ротирачката платформа (12).

За работење со автоматика за нивелирање, притиснете го прекинувачот за вклучување/исклучување (7) во позиција „On“.

Автоматиката за нивелирање автоматски ги израмнува нерамнините во полето на самонивелирање од $\pm 3^\circ$. Нивелирањето е завршено штом ласерските линии не се движат повеќе.

Доколку не е возможно автоматско нивелирање, на пр. бидејќи подлогата на мерниот уред отстапува повеќе од 3° од хоризонталата, ласерските зраци трепкаат брзо. Во ваков случај, поставете го мерниот уред хоризонтално и почекајте го самонивелирањето. Штом ќе се најде мерниот уред во полето на самонивелирање од $\pm 3^\circ$ ласерските зраци светат непрекинато.

При вибрации или промена на положбата за време на работата, мерниот уред повторно се нивелира автоматски. По повторното нивелирање, проверете ја позицијата на ласерските зраци во однос на референтните точки, за да се избегнат грешките при поместување.

Работа со осцилаторна блокада

За работење со осцилаторна блокада, притиснете го прекинувачот за вклучување/исклучување (7) во позиција „On“. Приказот осцилаторна блокада (14) свети црвено и ласерските линии непрекинато трепкаат во бавен такт.

При работа со осцилаторна блокада автоматиката за нивелирање е исклучена. Мерниот уред може да го држите слободно во рака или да го поставите на навалена подлога. Ласерските зраци повеќе не се нивелираат и не мора да се вертикално една кон друга.

Контрола на точноста на мерниот уред

Влијанија на точноста

Најголемо влијание врши околната температура. Особено температурните разлики кои се движат од подот нагоре може да го пренасочат ласерскиот зрак.

Се препорачува мерниот уред да го користите на статив за да ги минимизирате термичките влијанија од топлината што се крева од подот. Доколку е возможно, поставувате го мерниот уред во средината на работната површина.

Освен надворешните влијанија, до отстапување може да доведат и влијанијата специфични за уредот (како на пр. падови или јаки удари). Затоа, пред секој почеток на работа проверете ја точноста на нивелирањето.

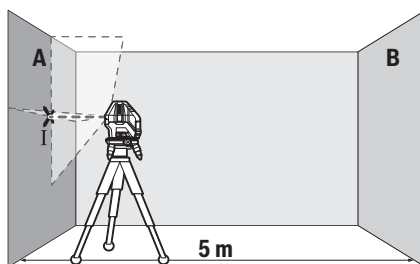
Најпрво проверете ја точноста на висините како и нивелирањето на хоризонталната ласерска линија, а потоа точноста на нивелирањето на вертикалната ласерска линија.

Доколку при некоја од проверките мерниот уред го надмине максималното отстапување, тогаш треба да се поправи од страна на сервисната служба на **Bosch**.

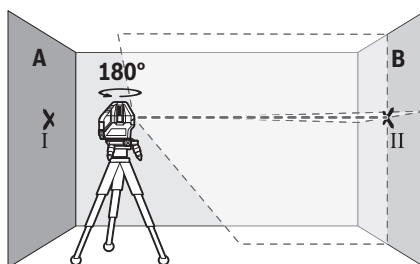
Проверка на точноста на висината на хоризонталната линија

За проверката потребна ви е слободна мерна линија од 5 m на цврста подлога помеѓу два зида A и B.

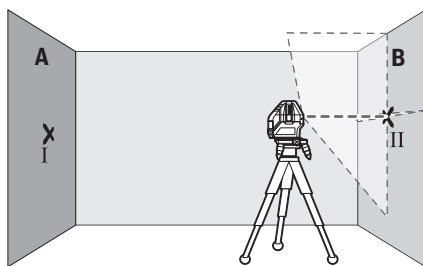
- Монтирајте го мерниот уред во близина на ѕидот A на ротирачка платформа (12) одн. на статив (28), или поставете го на цврста, рамна подлога. Вклучете го мерниот уред во режим со автоматика за нивелирање. Вклучете го хоризонталниот режим како и вертикалниот режим со вертикална ласерска линија напред.



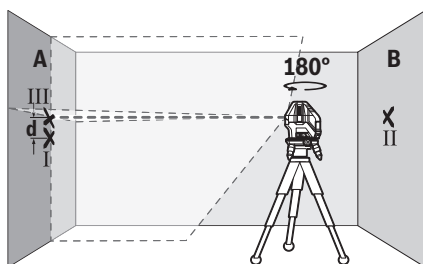
- Насочете го ласерот во близина на ѕидот A и оставете го мерниот уред да се нивелира. Обележете ја средината на точката, каде ласерските линии се вкрстуваат на ѕидот (точка I).



- Свртете го мерниот уред за 180° , оставете го да се нивелира и означете ја точката на вкрстување на ласерските линии на спротивниот ѕид B (точка II).
- Поставете го мерниот уред – без да го вртите – во близина на ѕидот B, вклучете го и оставете го да се нивелира.



- Поставете го мерниот уред по висина (со помош на стативот или евентуално со подлогата), така што точката на вкрстување на ласерските линии точно ќе ја погоди претходно означената точка II на сидот B.



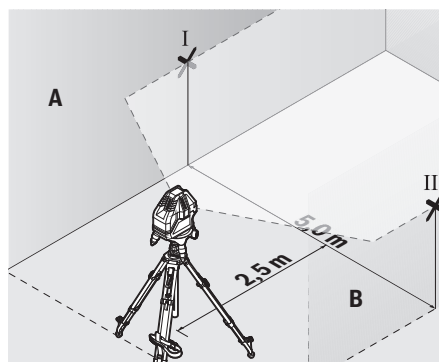
- Свртете го мерниот уред за 180°, без да ја промените висината. Насочете го на сидот A, така што вертикалната ласерска линија проаѓа низ веќе означената точка I. Оставете го мерниот уред да се нивелира и означете ја точката на вкрстување на ласерските линии на сидот A (точка III).
- Разликата **d** на двете означени точки I и III на сидот A го дава фактичкото отстапување од висината на мерниот уред.

На мерна линија од $2 \times 5 \text{ m} = 10 \text{ m}$ максималното дозволено отстапување изнесува:
 $10 \text{ m} \times \pm 0,2 \text{ mm/m} = \pm 2 \text{ mm}$. Разликата **d** меѓу точките I и III смее да изнесува најмногу 2 mm.

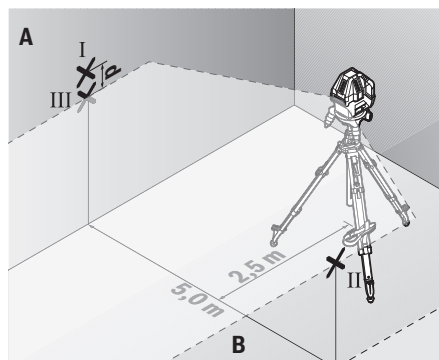
Проверка на точноста на нивелирање на хоризонталната линија

За проверка, потребна ви е слободна површина од околу $5 \times 5 \text{ m}$.

- Монтирајте го мерниот уред во средина меѓу сидовите A и B на ротирачка платформа (12) одн. на статив (28), или поставете го на цврста, рамна подлога. Вклучете го мерниот уред во режим со автоматика за нивелирање. Вклучете го хоризонталниот режим и оставете мерниот уред да се нивелира.



- На 2,5 m растојание од мерниот уред, на двата зида означете ја средината на ласерската линија (точка I на сидот A и точка II на сидот B).



- Поставете го мерниот уред, свртен за 180° на 5 m растојание и оставете го да се нивелира.
- Поставете го мерниот уред по висина (со помош на стативот или евентуално со подлогата), така што средината на ласерските линии точно ќе ја погоди претходно означената точка II на сидот B.
- На сидот A обележете ја средината на ласерската линија како точка III (вертикално над или под точката I).
- Разликата **d** на двете означени точки I и III на сидот A го дава фактичкото отстапување на мерниот уред од хоризонталата.

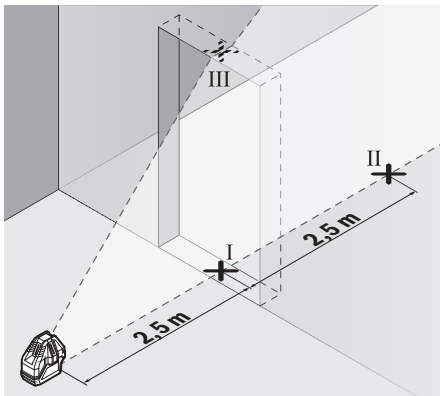
На мерна линија од $2 \times 5 \text{ m} = 10 \text{ m}$ го дава максималното дозволено отстапување:
 $10 \text{ m} \times \pm 0,2 \text{ mm/m} = \pm 2 \text{ mm}$. Разликата **d** меѓу точките I и III смее да изнесува најмногу 2 mm.

Проверка на точноста на нивелирањето на вертикалната линија

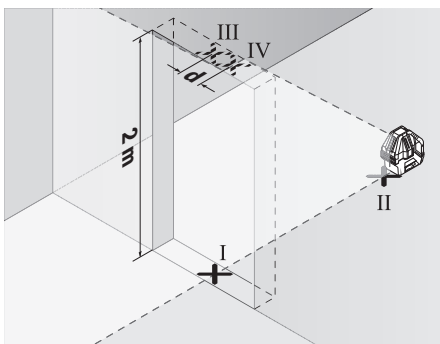
За контрола потребен ви е отвор од вратата, каде (на цврста подлога) на секоја страна од вратата има место од најмалку 2,5 m.

- Поставете го мерниот уред на 2,5 m растојание од отворот на вратата на цврста, рамна подлога (не на ротирачка платформа (12) или статив). Вклучете го

мерниот уред во режим со автоматика за нивелирање. Вклучете го вертикалниот режим со вертикална ласерска линија и израмнете ја кон отворот на вратата. Оставете го мерниот уред да се нивелира.



- Означете ја средината на вертикалната ласерска линија на подот од отворот на вратата (точка I), на 5 m растојание од другата страна на отворот од вратата (точка II), како и на горниот раб на вратата од отворот (точка III).



- Свртете го мерниот уред за 180° и поставете го на другата страна на отворот на вратата директно зад точката II. Оставете го мерниот уред да се нивелира и насочете ја вертикалната ласерска линија така што нејзината средина ќе поминува точно низ точките I и II.
- Обележете ја средината на ласерската линија на горниот раб на отворот на вратата како точка IV.
- Разликата d на двете означени точки III и IV го дава фактичкото отстапување на мерниот уред од вертикалните линии.
- Измерете ја висината на отворот од вратата.

Максималното дозволено отстапување го пресметувате на следниот начин:

двојна висина на отворот на вратата $\times 0,3 \text{ mm/m}$

Пример: При висина на отворот на вратата од 2 m максималното отстапување смее да изнесува

$2 \times 2 \text{ m} \times \pm 0,3 \text{ mm/m} = \pm 1,2 \text{ mm}$. Точките III и IV смееат да лежат најмногу 1,2 mm една од друга.

Совети при работењето

- ▶ **За обележување користете ја секогаш средината на ласерската точка одн. ласерската линија.**

Големината на ласерската точка одн. ширината на ласерската линија се менува согласно растојанието.

Работење со целна табла за ласерот

Целната табла за ласерот (26) ја подобрува видливоста на ласерскиот зрак при неповолни услови и големи растојанија.

Рефлектирачката површина на целната табла на ласерот (26) ја подобрува видливоста на ласерската линија, низ транспарентната површина ласерската линија е видлива и од задната страна на целната табла на ласерот.

Работење со статив (опрема) (види слика F)

Стативот овозможува стабилна мерна подлога што може да се подесува по висина. За монтажа на мерниот уред на статив поставете го мерниот уред на ротирачката платформа (12).

Монтажа на 5/8"-статив: Поставете ја ротирачката платформа со 5/8"-прифат на стативот (9) на навојот на 5/8"-статив (28) или на обичен градежен статив.

Зацврстете ја ротирачката платформа со завртка за фиксирање на стативот.

Монтажа на 1/4"-статив (види слика F): Навртете го адаптерот за стативот (20) (опрема) во 5/8"-прифат на стативот (9) на ротирачката платформа. Поставете го адаптерот за стативот со 1/4"-прифат на стативот на навојот на 1/4"-статив (21) или на обичен фото статив. Зацврстете го адаптерот за стативот со завртка за фиксирање на стативот.

Грубо центрирајте го стативот, пред да го вклучите мерниот уред.

Работење со ласерски приемник (опрема)

При неповолни светлосни услови (осветлена околина, директни сончеви зраци) и на големи растојанија за подобро наоѓање на ласерските линии користете го ласерскиот приемник (22). При работење со ласерски приемник вклучете го режимот на приемник (види „Режим на приемник“, Страница 65).

Ласерски заштитни очила (опрема)

Ласерските заштитни очила ја филтрираат околната светлина. На тој начин светлото на ласерот изгледа посветло за окото.

- ▶ **Не ги користете ласерските заштитни очила (дополнителна опрема) како заштитни очила.**

Ласерските заштитни очила служат за подобро распознавање на ласерскиот зрак; сепак, тие не штитат од ласерското зрачење.

- ▶ **Не ги користете ласерските заштитни очила (дополнителна опрема) како очила за сонце или пак во сообраќајот.** Ласерските очила не даваат

целосна UV-заштита и го намалуваат препознавањето на бои.

Примери за работа (види слики В-Е)

Примери за можностите на примена на мерниот уред ќе најдете на графичките страници.

Одржување и сервис

Одржување и чистење

Постојано одржувајте ја чистотата на мерниот уред. Не го потопувајте мерниот уред во вода или други течности.

Избришете ги нечистотиите со влажна мека крпа. Не користете средства за чистење или раствори.

Редовно чистете ги површините околу излезниот отвор на ласерот и притоа внимавајте на влакненцата.

Мерниот уред складирајте го и транспортирајте го само во заштитната чанта (27).

Во случај да треба да се поправи, пратете го мерниот уред во заштитната ташна (27).

Сервисна служба и совети при користење

Сервисната служба ќе одговори на Вашите прашања во врска со поправката и одржувањето на Вашиот производ како и резервните делови. Ознаки за експлозија и информации за резервните делови исто така ќе најдете на: www.bosch-pt.com

Тимот за советување при користење на Bosch ќе ви помогне доколку имате прашања за нашите производи и опрема.

За сите прашања и нарачки на резервни делови, Ве молиме наведете го 10-цифрениот број од спецификационата плочка на производот.

Северна Македонија

Д.Д.Електрик

Сава Ковачевиќ 47Њ, број 3

1000 Скопје

Е-пошта: dimce.dimcev@servis-bosch.mk

Интернет: www.servis-bosch.mk

Тел./факс: 02/ 246 76 10

Моб.: 070 595 888

Д.П.Т.У "РОЈКА"

Јани Лукровски бб; Т.Ц Автокоманда локал 69

1000 Скопје

Е-пошта: servisrojka@yahoo.com

Тел: +389 2 3174-303

Моб: +389 70 388-520, -530

Дополнителни адреси на сервиси може да најдете под:

www.bosch-pt.com/serviceaddresses

Отстранување

Мерните уреди, опремата и амбалажите треба да се отстранат на еколошки прифатлив начин.



Не ги фрлајте мерните уреди и батериите во домашната канта за губре!

Само за земјите од ЕУ:

Според европската директива 2012/19/EU за стари електрични и електронски уреди и нивната употреба во националното законодавство, мерните уреди што се вон употреба и дефектните или искористените батерии според директивата 2006/66/EC мора одделно да се соберат и да се рециклираат за повторна употреба.

Доколку се отстрануваат неправилно, електричната и електронската опрема може да имаат штетни влијанија врз животната средина и здравјето на луѓето поради можното присуство на опасни материи.

Srpski

Bezbednosne napomene



Morate da pročitate i uvažite sva uputstva kako biste sa mernim alatom radili bez opasnosti i bezbedno. Ukoliko se merni alat ne koristi u skladu sa priloženim

uputstvima, to može da ugrozi zaštitne sisteme koji su integrisani u merni alat. Nemojte dozvoliti da pločice sa upozorenjima na mernom alatu budu nerazumljive. DOBRO SAČUVAJTE OVA UPUTSTVA I PREDAJTE IH ZAJEDNO SA ALATOM, AKO GA PROSLEDUJETE DALJE.

- ▶ **Pažnja - ukoliko примените drugačije uređaje za rad ili podešavanje, osim ovde navedenih ili sprovodite druge vrste postupaka, to može dovesti do opasnog izlaganja zračenju.**
- ▶ **Merni alat se isporučuje sa pločicom uz upozorenje za laser (označeno u prikazu mernog alata na grafičkoj stranici).**
- ▶ **Ukoliko tekst na pločici sa upozorenjem za laser nije na vašem jeziku, prelepите je sa isporučenom nalepnicom na vašem jeziku, pre prvog puštanja u rad.**



Ne usmeravajte laserski zrak na osobe ili životinje i ne gledajte u direktan ili reflektovani laserski zrak. Na taj način možete da zaslepите lica, prouzroкујете nezgode ili да оштетите оči.

- ▶ **Ako lasersko zračenje dospe u oko, морате svesno да zatvorите оči i да glavu одmah окренете od zraka.**
- ▶ **Nemojte да вршите промене на laserskoј опреми.**
- ▶ **Nemojte користити laserske naočare (pribor) kao заштитне naočare.** Laserske naočare služe za bolje препознавање laserskog zraka. Međutim, one не štite od laserskog zračenja.

- ▶ **Nemojte koristiti laserske naočare (pribor) kao naočare za sunce ili u saobraćaju.** Laserske naočare ne pružaju potpunu UV zaštitu i smanjuju percepciju boja.
- ▶ **Merni alat sme da popravlja samo kvalifikovano osoblje i samo sa originalnim rezervnim delovima** Time se obezbeđuje, da sigurnost mernog alata ostaje sačuvana.
- ▶ **Ne dozvoljavajte deci da koriste laserski merni alat bez nadzora.** Mogli bi nenamerno da zaslepe druge osobe ili sebe.
- ▶ **Ne radite sa mernim alatom u okolini ugroženoj eksplozijom, u kojoj se nalaze zapaljive tečnosti, gasovi ili prašine.** U mernom alatu mogu nastati varnice, koje bi zapalile prašinu ili isparenja.



Merni alat i magnetni pribor ne približavajte implantatima i drugim medicinskim uređajima, kao što su pejsmejkeri ili insulinske pumpe. Zbog magneta u mernom alatu i priboru obrazuje se polje koje može da ugrozi funkciju implantata i medicinskih uređaja.

- ▶ **Merni alat i magnetni pribor držite daleko od magnetnih nosača podataka i uređaja osetljivih na magnete.** Zbog delovanja magneta u mernom alatu i priboru može da dođe do nepovratnog gubitka podataka.

Opis proizvoda i primene

Vodite računa o slikama u prednjem delu uputstva za rad.

Predviđena upotreba

Merni alat je predviđen za utvrđivanje i proveravanje horizontalnih i vertikalnih linija kao i tačaka lemljenja. Merni alat je predviđen za upotrebu u unutrašnjem prostoru. Ovaj proizvod je potrošački laserski proizvod u skladu sa standardom EN 50689.

Komponente sa slike

Označavanje brojevima komponenti sa slike odnosi se na prikaz mernog alata na grafičkoj stranici.

- (1) Izlazni otvor laserskog zraka
- (2) Blokada poklopca pregrade za bateriju
- (3) Poklopac pregrade za bateriju
- (4) Serijski broj
- (5) Pločica sa upozorenjem za laser
- (6) Žlebovi za pričvršćivanje mernog alata
- (7) Prekidač za uključivanje/isključivanje
- (8) Libela obrtne platforme
- (9) Prijemnica za stativ 5/8" obrtne platforme
- (10) Zavrtanj za podešavanje visine obrtne platforme
- (11) Zavrtanj za fino podešavanje obrtne platforme
- (12) Obrtna platforma
- (13) Žlebovi za pričvršćivanje obrtne platforme

- (14) Prikaz blokade pomeranja
- (15) Prikaz režima prijemnika
- (16) Prikaz statusa
- (17) Taster za režim prijemnika
- (18) Taster za vertikalni režim rada
- (19) Taster za horizontalni režim rada
- (20) Adapter za stativ^{a)}
- (21) Stativ 1/4"^{na)}
- (22) Laserski prijemnik^{a)}
- (23) Magnet^{a)}
- (24) Držač laserskog prijemnika^{a)}
- (25) Naočare za laser^{a)}
- (26) Ploča za ciljanje laserom^{a)}
- (27) Zaštitna torba
- (28) Stativ 5/8"^{na)}
- (29) Teleskopska šipka^{a)}

a) **Prikazani ili opisani pribor ne spada u standardno pakovanje. Kompletni pribor možete da nadete u našem programu pribora.**

Tehnički podaci

Linijski laser	GLL 5-50 X
Broj artikla	3 601 K63 F..
Radno područje ^{A)}	
– Standardne laserske linije	15 m
– Laserske linije sa režimom prijemnika	10 m
– Laserske linije sa laserskim prijemnikom	5–50 m
– Tačka normale	5 m
Preciznost nivelisanja ^{B)} (C)	
– Horizontalna laserska linija	±0,2 mm/m
– Vertikalne laserske linije	±0,3 mm/m
– Tačka normale	±0,7 mm/m
Područje samonivelisanja	±3°
Vreme nivelisanja	< 4 s
Radna temperatura	–10 °C ... +45 °C
Temperatura skladišta	–20 °C ... +70 °C
Maks. radna visina iznad referentne visine	2000 m
Maks. relativna vlažnost vazduha	90 %
Stepen zaprljanosti prema standardu IEC 61010-1	2 ^{D)}
Klasa lasera	2
Tip lasera	< 1 mW, 630–650 nm
C ₆	1
Divergencija	

Linijski laser	GLL 5-50 X
– Laserska linija	1,5 mrad
– Tačka normale	1,5 mrad
Rad bez režima prijemnika	Kontinuirani zrak (CW)
Najkraće trajanje impulsa (rad u režimu prijemnika)	0,05 ms
Frekvencija pulsiranja (rad u režimu prijemnika)	10 kHz
Prijemnica za stativ ^{E)}	5/8"
Baterije	4 × 1,5 V LR6 (AA)
Trajanje rada otp. ^{B)}	
– Sa 1 laserskom linijom	24 h
– Sa 2 laserske linije	14 h
– Sa 3 laserske linije	10 h
– Sa 5 laserske linije	6 h
Težina u skladu sa EPTA-Procedure 01:2014	0,54 kg
Dimenzije (dužina × širina × visina)	
– Bez obrtne platforme	122 × 83 × 129 mm
– Sa obrtnom platformom	Ø 151 × 203 mm
Vrsta zaštite (osim pregrade za bateriju)	IP54 (zaštićeno od prašine i vode koja prska)

A) Radno područje može da se smanji zbog nepovoljnih okolnih uslova (npr. direktnog sunčevog zračenja).

B) na 20–25 °C

C) Navedene vrednosti pretpostavljaju normalne do povoljne okolne uslove (npr. nema vibracija, nema magle, nema dima, nema direktnog sunčevog zračenja). Nakon jakih kolebanja temperature, može doći do odstupanja u preciznosti.

D) Pojavljuje se neprovodljiva zaprljanost, pri čemu se očekuje privremena provodljivost prouzrokovana rošenjem.

E) dostupno samo u kombinaciji sa obrtnom platformom
Za jasnu identifikaciju vašeg mernog uređaja služi broj artikla (4) na pločici sa tipom.

Montaža

Stavljanje/zamena baterija

Za režim rada mernog alata preporučuje se upotreba alkalno-manganskih baterija.

Radi otvaranja poklopca pregrade za baterije (3) pritisnite blokadni element (2) i skinite poklopac pregrade za baterije. Ubacite baterije.

Pri tome pazite na to da polovi budu u skladu sa prikazom na unutrašnjoj strani pregrade baterije.

Ako prikaz statusa (16) treperi, morate da promenite baterije.

Sve baterije uvek zamenite istovremeno. Upotrebljavajte samo baterije nekog proizvođača i sa istim kapacitetom.

► **Iz alata za merenje izvadite baterije, ako ga ne koristite duže vreme.** U slučaju dužeg skladištenja, baterije u mernom alatu bi mogle da korodiraju i da se isprazne same od sebe.

Rad sa obrtnom platformom (videti sliku A)

Pomoću obrtne platforme (12) možete da okrećete merni alat 360° oko centralne, uvek vidljive tačke lemljenja. Na taj način možete tačno da usmerite laserske linije, a da pritom ne morate da menjate položaj mernog alata.

Merni alat postavite na obrtnu platformu (12), tako da se žlebovi za pričvršćivanje (13) obrtne platforme nalaze između odgovarajućih žlebova za pričvršćivanje (6) na donjoj strani mernog alata. Okrenite merni alat u smeru kretanja kazaljke na satu da bi bio blokiran na obrtnoj platformi.

Odvrnite noge obrtne platforme (12) pomoću zavrtnja za podešavanje visine (10).

Grubo podesite obrtnu platformu pomoću libele (8).

Kada je merni alat pričvršćen na obrtnoj platformi (12), pomoću zavrtnja za podešavanje (11) možete precizno da podesite vertikalne laserske linije prema referentnim tačkama.

Režim rada

Puštanje u rad

► **Čuvajte merni alat od vlage i direktnog sunčevog zračenja.**

► **Merni alat nemojte da izlažete ekstremnim temperaturama ili promenama temperature.** Npr. nemojte ga predugo ostavljati u automobilu. U slučaju velikih promena temperature, merni alat najpre ostavite da se aklimatizuje i sprovedite pre daljih radova uvek proveru preciznosti (videti „Provera preciznosti nivelisanja mernog alata“, Strana 72).
Kod ekstremnih temperatura ili kolebanja temperatura može da se ugrozi preciznost mernog alata.

► **Izbegavajte nagle udare ili padove mernog alata.**

Nakon jakih spoljašnjih uticaja na merni alat, pre nastavka rada bi trebalo uvek da uradite proveru preciznosti (videti „Provera preciznosti nivelisanja mernog alata“, Strana 72).

► **Isključite merni alat kada ga transportujete.** Pri isključivanju se blokira klatni uređaj, koji se inače pri jačim pokretima može oštetiti.

Uključivanje-isključivanje

Za **uključivanje** mernog alata pomerite prekidač za uključivanje/isključivanje (7) u poziciju „**On**“ (za rad sa blokadom pomeranja) ili u poziciju „**On**“ (za rad sa automatskim nivelisanjem). Prikaz statusa (16) će zasvetleti. Merni alat odmah po uključivanju emituje horizontalnu lasersku liniju iz prednjeg izlaznog otvora (1).

► **Ne usmeravajte laserski zrak na osobe ili životinje i ne gledajte u laserski zrak čak ni sa daljeg odstojanja.**

Za **isključivanje** mernog alata pomerite prekidač za uključivanje/isključivanje (7) u poziciju „**Off**“. Prikaz statusa (16) se isključuje. Kod isključivanja se jedinica za klatno zaključava.

- **Uključeni merni alat nikad ne ostavljajte bez nadzora i isključite ga nakon korišćenja.** Laserski zrak bi mogao da zaslepi druge osobe.

Ako se prekorači najveća dozvoljena temperatura prilikom rada od **45 °C**, alat će se isključiti zbor zaštite laserske diode. Posle hlađenja je merni alat ponovo spreman za rad i može se ponovo uključiti.

Deaktivacija automatskog isključivanja

Merni alat se automatski isključuje nakon **30** min trajanja režima rada.

Da biste deaktivirali automatsko isključivanje, držite prilikom uključivanja mernog alata pritisnut taster za vertikalni režim rada (**18**) ili taster za horizontalni režim rada (**19**) 3 s. Ako je automatsko isključivanje deaktivirano, laserski zraci kratko zatrepere nakon 3 s.

Da biste automatsko isključivanje aktivirali, isključite merni alat i ponovo ga uključite (bez pritiskanja tastera).

Vrste režima rada

Merni alat raspolaze sa više režima rada koje možete u svako doba menjati. Horizontalni i vertikalni režim rada možete nezavisno uključiti i isključiti. Posle uključivanja, merni alat se nalazi u horizontalnom režimu rada.

Sve vrste režima rada možete da izaberete pomoću automatskog nivelisanja kao i blokade pomeranja.

Horizontalni režim rada (videti sliku B)

U horizontalnom režimu rada merni alat emituje horizontalnu lasersku liniju ka napred.

Za isključivanje ili uključivanje horizontalne laserske linije, pritisnite taster za horizontalni režim rada (**19**).

Vertikalni režim rada sa tačkom normale (videti slike C–E)

Merni alat poseduje više vertikalnih režima rada:

- Vertikalna laserska linija ka napred,
- Vertikalna laserska linija ka napred i ka desno,
- Vertikalna laserska linija ka napred i ka nazad,
- Vertikalne laserske linije ka sve četiri strane.

U vertikalnom režimu rada se uvek dodatno projektuje tačka normale ka dole.

Za uključivanje odn. isključivanje vertikalnog režima rada kao i promenu vertikalnog režima rada, pritisnite taster za vertikalni režim rada (**18**) sve dok ne dodete do željenog režima rada.

Režim prijemnika

Za rad sa laserskim prijemnikom (**22**), nezavisno od izabranog režim rada – mora biti aktiviran režim prijema.

U režimu prijemnika, laserske linije trepere visokom frekvencijom i na taj način ih laserski prijemnik (**22**) pronalazi.

Radi uključivanja režima prijemnika pritisnite taster za režim prijemnika (**17**). Prikaz režima prijemnika (**15**) svetli crveno.

Kada je uključen režim prijemnika, vidljivost laserskih linija za ljudsko oko je ograničena. Za radove bez laserskog

prijemnika isključite režim prijemnika ponovnim pritiskom na taster za režim prijemnika (**17**). Prikaz režima prijemnika (**15**) se gasi.

Automatsko nivelisanje

Rad sa automatskim nivelisanjem

Postavite merni alat na vodoravnu, čvrstu podlogu ili ga pričvrstite na obrtnu platformu (**12**).

Pomerite za radove sa automatskim nivelisanjem prekidač za uključivanje/isključivanje (**7**) u poziciju „**On**“.

Automatsko nivelisanje automatski kompenzuje neravnine u okviru raspona samonivelisanja od $\pm 3^\circ$. Nivelisanje je završeno, ukoliko se laserske linije više ne pokreću.

Ako automatsko nivelisanje nije moguće, npr. jer površina za stajanje mernog alata odstupa više od 3° od horizontale, laserski zraci trepere u brzom taktu.

U tom slučaju merni alat postavite horizontalno i sačekajte samonivelisanje. Čim se merni alat nalazi u okviru opsega samonivelisanja od $\pm 3^\circ$, laserski zraci konstantno svetle.

U slučaju potresa ili promena položaja tokom režima rada merni alat se automatski iznova nivelise. Proverite nakon nivelisanja poziciju laserskih zraka u odnosu na referentne tačke da biste izbegli greške uzred pomeranja mernog alata.

Rad sa blokadom pomeranja

Pomerite za radove sa blokadom pomeranja prekidač za uključivanje/isključivanje (**7**) u poziciju „**On**“. Prikaz blokade pomeranja (**14**) svetli u crvenoj boji i laserske linije svetle konstantno u sporom taktu.

Pri radu sa blokadom pomeranja, automatsko nivelisanje se isključuje. Možete da držite merni alat slobodno u ruci ili da ga postavite na površinu pod nagibom. Laserski zraci se dalje ne nivelisu i ne protežu prirodno vertikalno jedna prema drugoj.

Provera preciznosti nivelisanja mernog alata

Uticaji tačnosti

Najveći uticaj vrši temperatura okoline. Temperaturne razlike koje posebno idu od poda uvis mogu skrenuti laserski zrak.

Da bi se termički uticaji toplote koja dolazi sa poda sveli na najmanju meru, preporučuje se korišćenje mernog alata na stativu. Postavite merni alat osim toga prema mogućnostima u sredinu radne površine.

Pored spoljašnjih uticaja takode i uticaji specifični za uređaje (kao npr. nagli padovi ili snažni udari) mogu da dovedu do odstupanja. Iz tog razloga pre svakog početka rada proverite preciznost nivelacije.

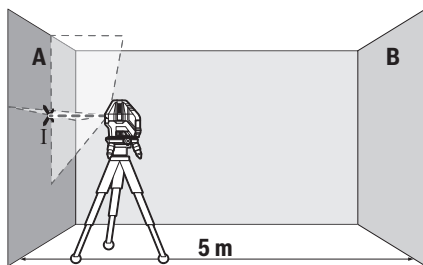
Proverite svakako najpre visinu kao i preciznost nivelisanja horizontalne laserske linije, potom preciznost nivelisanja vertikalne laserske linije.

Ako bi merni alat pri jednoj od provera prekoračio maksimalno odstupanje, popravite ga u jednom **Bosch** servisu.

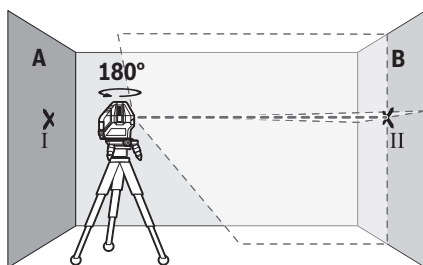
Provera preciznosti visine vodoravne linije

Za proveru potrebna vam je slobodna merna deonica od 5 m na čvrstoj podlozi između dva zida A i B.

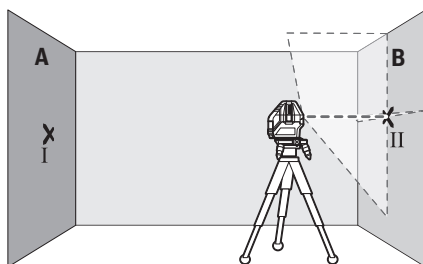
- Montirajte merni alat blizu zida A na obrtnu platformu (12) odnosno stativ (28), ili ga postavite na čvrstu ravnu podlogu. Uključite merni alat u režim sa automatskim nivelisanjem. Uključite horizontalni režim rada kao i vertikalni režim rada sa vertikalnom laserskom linijom ka napred.



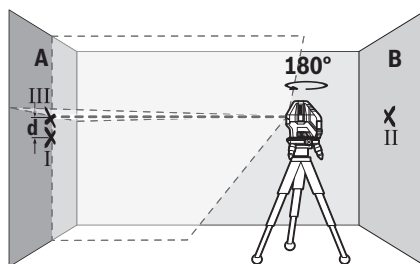
- Usmerite laser na bliski zid A i pustite da se merni alat niveliše. Označite sredinu tačke na kojoj se laserske linije na zidu ukrštaju (tačka I).



- Okrenite merni alat za 180°, pustite da se niveliše i označite tačku ukrštanja laserskih linija na suprotnom zidu B (tačka II).
- Stavite merni alat – bez okretanja – blizu zida B, uključite ga i pustite da se niveliše.



- Merni alat usmerite u vis tako (pomoću stativa ili po potrebi podmetanjem), da tačka ukrštanja laserskih linija tačno pogada prethodno označenu tačku II na zidu B.



- Merni alat okrenite za 180°, a da ne pomerate visinu. Usmerite ga prema zidu A, tako da vertikalna laserska linija prolazi kroz već označenu tačku I. Pustite merni alat da se niveliše i označite tačku ukrštanja laserskih linija na zidu A (tačka III).

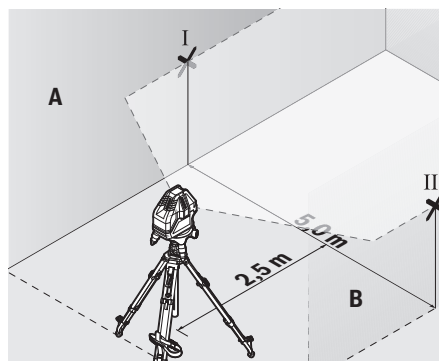
- Razlika d između dve označene tačke I i III na zidu A predstavlja stvarno odstupanje visine mernog alata.

Na mernoj deonici od $2 \times 5 \text{ m} = 10 \text{ m}$ maksimalno dozvoljeno odstupanje iznosi:
 $10 \text{ m} \times \pm 0,2 \text{ mm/m} = \pm 2 \text{ mm}$. Razlika d između tačaka I i III sme da iznosi maksimalno 2 mm.

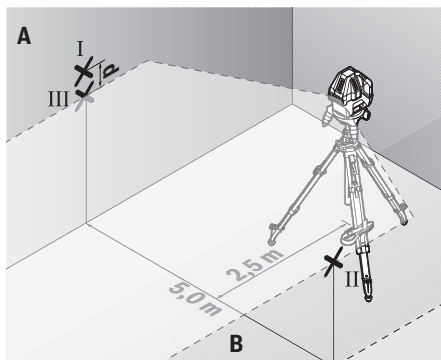
Provera preciznosti nivelacije horizontalne linije

Za proveru je neophodna slobodna površina od otprilike $5 \times 5 \text{ m}$.

- Montirajte merni alat u sredinu između zidova A i B na obrtnu platformu (12) odnosno stativ (28), ili ga postavite na čvrstu ravnu podlogu. Uključite merni alat u režim sa automatskim nivelisanjem. Uključite horizontalni režim rada i pustite da se merni alat izniveliše.



- Označite na 2,5 m udaljenosti od mernog alata na oba zida sredinu laserske linije (tačka I na zidu A i tačka II na zidu B).



- Postavite merni alat za 180° okrenut na 5 m udaljenosti i iznivelišite ga.
- Merni alat usmerite uvis tako (pomoću stativa ili po potrebi podmetanjem) da sredina laserske linije tačno pogada prethodno označenu tačku II na zidu B.
- Označite na zidu A sredinu laserske linije kao tačku III (vertikalno iznad odn. ispod tačke I).
- Razlika **d** između obe označene tačke I i III na zidu A predstavlja stvarno odstupanje mernog alata od horizontale.

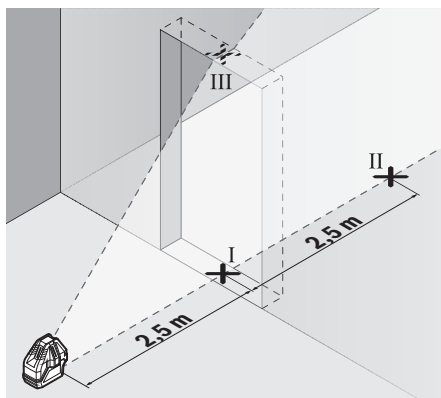
Na mernoj deonici od $2 \times 5 \text{ m} = 10 \text{ m}$ maksimalno dozvoljeno odstupanje iznosi:

$10 \text{ m} \times \pm 0,2 \text{ mm/m} = \pm 2 \text{ mm}$. Razlika **d** između tačaka I i III prema tome sme da iznosi maksimalno **2 mm**.

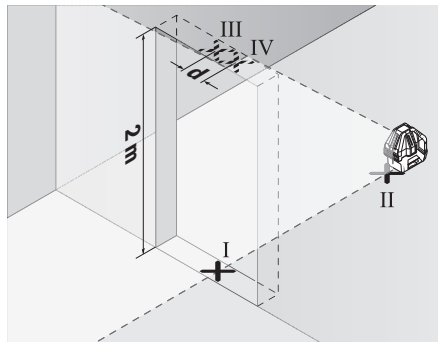
Kontrola tačnosti nivelisanja vertikalne linije

Za kontrolu potreban Vam je otvor od vrata, kod kojih (na čvrstoj zemlji) sa svake strane vrata ima najmanje 2,5 m prostora.

- Postavite merni alat na 2,5 m rastojanja od otvora vrata na čvrstu ravnu podlogu (ne na obrtnu platformu (12) ili stativ). Uključite merni alat u režim sa automatskim nivelisanjem. Uključite vertikalni režim rada sa vertikalnom laserskom linijom ka napred i usmerite lasersku liniju na otvor vrata. Sačekajte da se merni alat izniveliše.



- Označite sredinu vertikalne laserske linije na podu otvora za vrata (tačka I), na razdaljini od 5 m od druge strane otvora za vrata (tačka II) kao i na gornjoj ivici otvora za vrata (tačka III).



- Okrenite merni alat za 180° i stavite ga na drugu stranu otvora za vrata direktno iza tačke II. Pustite merni alat da se niveliše i vertikalnu lasersku liniju usmerite tako da njena sredina tačno kroz tačke I i II.
- Označite sredinu laserske linije na gornjoj ivici otvora za vrata kao tačku IV.
- Razlika **d** između dve označene tačke III i IV predstavlja stvarno odstupanje mernog alata od vertikale.
- Merite visinu otvora vrata.

Maksimalno dozvoljeno odstupanje izračunajte na sledeći način:

dupla visina otvora za vrata $\times 0,3 \text{ mm/m}$

Primer: Pri visini otvora vrata od **2 m** maksimalno odstupanje sme da iznosi

$2 \times 2 \text{ m} \times \pm 0,3 \text{ mm/m} = \pm 1,2 \text{ mm}$. Tačke III i IV smeju da budu na razmaku od najviše **1,2 mm**.

Uputstva za rad

- **Za označavanje uvek koristite isključivo sredinu laserske tačke odn. laserske linije.** Veličina laserske tačke odn. širina laserske linije se menjaju sa rastojanjem.

Rad sa laserskom tablicom sa ciljem

Laserska ciljna tabla (26) poboljšava vidljivost laserskog zraka u nepovoljnim uslovima i na velikim udaljenostima.

Reflektujuća površina ploče za ciljanje laserom (26) poboljšava vidljivost laserske linije, kroz providnu površinu je laserska linija prepoznatljiva i sa zadnje strane ploče za ciljanje laserom.

Rad sa stativom (pribor) (videti sliku F)

Stativ nudi stabilnu mernu podlogu koja je podesiva po visini. Za montažu mernog alata na stativu, postavite merni alat na obrtnu platformu (12).

Montaža na stativu 5/8": Obrtnu platformu sa prijemnicom za stativ 5/8" (9) postavite na navoj stativa 5/8" (28) ili stativa koji je dostupan u maloprodaji. Pritegnite obrtnu platformu pomoću zavrtnja za fiksiranje stativa.

Montaža na stativu 1/4" (videti sliku **F**): Pričvrstite adapter za stativ (**20**) (pribor) u prijemnicu za stativ 5/8" (**9**) obrtne platforme. Postavite adapter za stativ sa prijemnicom za stativ 1/4" na navoj stativa 1/4" (**21**) ili fotografskog stativa koji je dostupan u maloprodaji. Pritegnite adapter za stativ pomoću zavrtanja za fiksiranje stativa.

Centrirajte stativ grubo, pre nego što uključite merni alat.

Rad sa laserskim prijemnikom (pribor)

U nepovoljnim uslovima osvetljenja (svetlo okruženje, direktno sunčevo zračenje) i na većim udaljenostima radi lakšeg pronalaženja laserskih linija koristite laserski prijemnik (**22**). U radu sa laserskim prijemnicima uključite režim prijemnika (videti „Režim prijemnika“, Strana 72).

Laserske naočari (pribor)

Laserske naočare za gledanje filtriraju okolnu svetlost. Na taj način izgleda svetlo lasera za oko svetlije.

- ▶ **Nemojte koristiti laserske naočare (pribor) kao zaštitne naočare.** Laserske naočare služe za bolje prepoznavanje laserskog zraka. Međutim, one ne štite od laserskog zračenja.
- ▶ **Nemojte koristiti laserske naočare (pribor) kao naočare za sunce ili u saobraćaju.** Laserske naočare ne pružaju potpunu UV zaštitu i smanjuju percepciju boja.

Radni primeri (pogledajte slike B–E)

Primere za mogućnosti primene mernog alata naći ćete na grafičkim stranama.

Održavanje i servis

Održavanje i čišćenje

Držite merni alat uvek čist.

Ne uranjajte merni alat u vodu ili druge tečnosti.

Brišite zaprljanja sa vlažnom, mekom krpom. Nemojte koristiti sredstva za čišćenje ili rastvarače.

Čistite redovno posebno površine na izlaznom otvoru lasera i pazite pritom na dlačice.

Čuvajte i transportujte merni pribor samo u zaštitnoj torbi (**27**).

U slučaju popravke, merni alat uvek šaljite u zaštitnoj torbi (**27**).

Servis i saveti za upotrebu

Servis odgovara na vaša pitanja u vezi sa popravkom i održavanjem vašeg proizvoda kao i u vezi sa rezervnim delovima. Šematske prikaze i informacije u vezi rezervnih delova naći ćete i pod: www.bosch-pt.com

Bosch tim za konsultacije vam rado pomaže tokom primene, ukoliko imate pitanja o našim proizvodima i njihovom priboru.

Molimo da kod svih pitanja i naručivanja rezervnih delova neizostavno navedete broj artikla sa 10 brojčanih mesta prema tipskoj pločici proizvoda.

Srpski

Bosch Elektroservis
Dimitrija Tucovića 59
11000 Beograd
Tel.: +381 11 644 8546
Tel.: +381 11 744 3122
Tel.: +381 11 641 6291
Fax: +381 11 641 6293
E-Mail: office@servis-bosch.rs
www.bosch-pt.rs

Dodatne adrese servisa pogledajte na:

www.bosch-pt.com/serviceaddresses

Uklanjanje đubreta

Merni alati, pribor i ambalaža treba da se uključe u reciklažu koja odgovara zaštititi čovekove okoline.



Merne alate i baterije nemojte bacati u kućni otpad!

Samo za EU-zemlje:

Prema evropskoj direktivi 2012/19/EU o starim električnim i elektronskim uređajima i njenoj primeni u nacionalnom pravu, merni alati koji se više ne mogu koristiti, a prema evropskoj direktivi 2006/66/EC akumulatori/baterije koje su u kvaru ili istrošene moraju se odvojeno sakupljati i uključiti u reciklažu koja ispunjava ekološke uslove.

Ukoliko se elektronski i električni uređaji otklone u otpad na neispravan način, moguće opasne materije mogu da imaju štetno dejstvo na životnu sredinu i zdravlje ljudi.

لا تقم بتقريب عدة القياس والتوابع المغناطيسية من الأجهزة الطبية المزروعة والأجهزة الطبية الأخرى مثل منظم ضربات القلب أو مضخة الأنسولين. يتسبب وجود مغناطيسات



في عدة القياس والتوابع في نشوء مجال قد يؤثر سلباً على وظيفة الأجهزة الطبية المزروعة والأجهزة الطبية الأخرى.

◀ أبعد عدة القياس والتوابع المغناطيسية عن وسائط البيانات المغناطيسية والأجهزة الحساسة للمغناطيس. فمن خلال تأثير المغناطيسات الموجودة بعدة القياس والتوابع يمكن أن يحدث فقدان للبيانات، بحيث يتعذر استعادتها.

وصف المنتج والأداء

يرجى الرجوع إلى الصور الموجودة في الجزء الأول من دليل التشغيل.

الاستعمال المخصص

تستخدم عدة القياس لتحديد الخطوط الأفقية والعمودية وفحصها بالإضافة إلى تقاطع التعامد. لقد خصصت عدة القياس للاستخدام في المجال الداخلي.

هذا المنتج هو أحد منتجات الليزر الاستهلاكية ومتوافق مع المواصفة EN 50689.

الأجزاء المصورة

يستند ترقيم الأجزاء المصورة إلى رسوم عدة القياس الموجودة على صفحة الرسوم التخطيطية.

- (1) فتحة خروج أشعة الليزر
- (2) قفل غطاء درج البطاريات
- (3) غطاء درج البطاريات
- (4) الرقم المتسلسل
- (5) لافتة تحذير الليزر
- (6) حزوز تثبيت عدة القياس
- (7) مفتاح التشغيل والإطفاء
- (8) ميزان ماء المنصة الدوارة
- (9) حاضن الحامل ثلاثي القوائم 5/8 بوصة الخاص بالمنصة الدوارة
- (10) لولب ضبط ارتفاع المنصة الدوارة
- (11) لولب الضبط الدقيق للمنصة الدوارة
- (12) المنصة الدوارة
- (13) حزوز تثبيت المنصة الدوارة
- (14) مبين القفل البندولي
- (15) مؤشر وضع المستقبل
- (16) مبين الحالة
- (17) زر وضع المستقبل
- (18) زر طريقة التشغيل الرأسي
- (19) زر طريقة التشغيل الأفقي
- (20) مهايئ الحامل الثلاثي^a

عربي

إرشادات الأمان



يجب قراءة جميع التعليمات ومراعاتها للعمل بعدة القياس بأمان وبلا مخاطر. في حالة استخدام عدة القياس بشكل يخالف التعليمات الواردة فقد يؤثر ذلك سلباً على إجراءات الحماية في عدة القياس. لا تقم بطمس اللافتات التحذيرية الموجودة على عدة القياس أبداً. احتفظ بهذه التعليمات بحالة جيدة، واحرص على إرفاقها بعدة القياس في حالة إعطائها لشخص آخر.

- ◀ احترس - في حالة الاستخدام بطريقة تختلف مع التجهيزات أو وسائل الضبط المذكورين أو تطبيق طريقة عمل أخرى، فقد يؤدي ذلك إلى التعرض لأشعة الشمس بشكل خطير.
- ◀ يتم تسليم عدة القياس مع لافتة تحذيرية لليزر (يتم تمييزها في صورة عدة القياس في صفحة الرسوم التخطيطية).
- ◀ إذا لم يكن الكلام المكتوب في اللافتة التحذيرية لليزر بلغة بلدك، قم ب لصق اللافتة المرفقة بلغة بلدك عليه قبل التشغيل للمرة الأولى.



لا توجه شعاع الليزر على الأشخاص أو الحيوانات ولا توجه نظرك إلى شعاع الليزر المباشر أو المنعكس، حيث يتسبب ذلك في إبهار الأشخاص أو في وقوع حوادث أو حدوث أضرار بالعينين.

◀ في حالة سقوط أشعة الليزر على العين، فقم بخلقها على الفور، وأبعد رأسك عن شعاع الليزر.

- ◀ لا تقم بإجراء تغييرات على جهاز الليزر.
- ◀ لا استخدم نظارة رؤية الليزر (الملحقات) كنظارة حماية. فنظارة رؤية الليزر تستخدم لاستقبال شعاع الليزر بشكل أفضل، إلا أنها لا تمي من إشعاع الليزر.

◀ لا تستخدم نظارة رؤية الليزر (توابع) كنظارة شمس أو كنظارة للارتداء أثناء الحركة المرورية. لا تقوم نظارة رؤية الليزر بالحماية التامة من الأشعة فوق البنفسجية، كما أنها تقلل القدرة على تمييز الألوان.

◀ لا تقم بإصلاح عدة القياس إلا لدى فنيين متخصصين مؤهلين مع الاقتصار على استخدام قطع الغيار الأصلية. يضمن ذلك المحافظة على أمان عدة القياس.

◀ لا تدع الأطفال يستخدمون عدة القياس بالليزر دون مراقبة. قد تسبب عمى لنفسك أو لأشخاص آخرين دون قصد.

◀ لا تعمل بعدة القياس في نطاق معرض لخطر الانفجار، الذي تتوفر به السوائل أو الغازات أو الأغبرة القابلة للاحتراق. قد يُنتج الشرر في عدة القياس، فيشعل هذه الأغبرة أو الأبخرة.

جهاز الليزر الخطي GLL 5-50 X	
10 كيلو هرتز	تردد النبضات (التشغيل في وضع الاستقبال)
5/8 بوصة	حاضن الحامل ثلاثي القوائم ^(E)
LR6 (AA) 1,5 × 4 فلت	البطاريات
	مدة التشغيل حوالي ^(B)
24 ساعة	- مع خط ليزر واحد
14 ساعة	- مع خطي ليزر
10 ساعات	- مع 3 خطوط ليزر
6 ساعات	- مع 5 خطوط ليزر
0,54 كجم	الوزن حسب EPTA-Procedure 01:2014
الأبعاد (الطول × العرض × الارتفاع)	
129 × 83 × 122 مم	- دون منصة دوارة
بقطر 151 × 203 مم	- مع منصة دوارة
IP54 (حماية من الغبار ورذاذ الماء)	فئة الحماية (باستثناء درج البطاريات)

- (A) قد يقل مجال العمل من خلال شروط الأجواء غير الملائمة (مثلاً: التعرض لأشعة الشمس المباشرة).
- (B) عند درجة حرارة 20-25 °م
- (C) يُشترط لسريان القيم المذكورة أن تكون الظروف المحيطة طبيعية أو حتى مناسبة (على سبيل المثال دون اهتزازات، دون ضباب، دون أدخنة، دون التعرض لأشعة الشمس المباشرة). في حالة التقلبات الكبيرة في درجات الحرارة قد يتسبب ذلك في اختلافات في درجة الدقة.
- (D) لا يحدث اتساخ موصل للكهرباء، ولكن في بعض الأحيان قد يتسبب التكتيف في وجود اتساخ موصل للكهرباء بصورة مؤقتة.
- (E) متوفر فقط مع المنصة الدوارة
- لتمييز عدة القياس بوضوح، ارجع إلى الرقم المتسلسل (4) على لوحة الصنع.

التركيب

تركيب/استبدال البطاريات

- لتشغيل عدة القياس يُنصح باستخدام بطاريات المنجنيز القلوية.
- لفتح غطاء حجرة البطاريات (3) اضغط على القفل (2) وأخلع غطاء حجرة البطاريات. قم بتركيب البطاريات. احرص على مراعاة اتجاه الأقطاب الصحيح طبقاً للشكل الموضح في حيز البطاريات من الداخل. في حالة وميض مبيّن الحالة (16)، يجب عليك تغيير البطاريات.
- قم بتغيير كل البطاريات في نفس الوقت. اقتصر على استخدام البطاريات من نفس النوع والقدرة.
- ◀ **انزع البطاريات من عدة القياس عند عدم استعمالها لفترة طويلة.** البطاريات يمكن أن تصدأ وتفرغ شحنتها ذاتياً في حالة تخزينها لفترة طويلة نسبياً داخل عدة القياس.

- (21) حامل ثلاثي القوائم 1/4 بوصة^(A)
- (22) مستقبل الليزر^(A)
- (23) مغناطيس^(A)
- (24) حامل مستقبل الليزر^(A)
- (25) نظارة رؤية الليزر^(A)
- (26) لوحة تصويب الليزر^(A)
- (27) حقيبة واقية
- (28) حامل ثلاثي القوائم 5/8 بوصة^(A)
- (29) قضيب شد التليسكوب^(A)

(A) لا تتضمن إطار التوريد الاعتيادي التوابع المصورة أو المشروحة. تجد التوابع الكاملة في برنامجنا للتوابع.

البيانات الفنية

جهاز الليزر الخطي GLL 5-50 X	
3 601 K63 F..	رقم الصنف
	نطاق العمل ^(A)
15 متر	- خطوط الليزر القياسية
10 أمتار	- خطوط الليزر مع وضع المستقبل
5-50 متر	- خطوط الليزر مع مستقبل الليزر
5 أمتار	- نقطة التعامد
	دقة ضبط الاستواء ^{(C)(B)}
±0,2 مم/متر	- خط الليزر الأفقي
±0,3 مم/متر	- خطوط الليزر الرأسية
±0,7 مم/متر	- نقطة التعامد
±3°	نطاق التسوية الذاتية
> 4 ثوان	زمن التسوية
10-45 °م ...	درجة حرارة التشغيل
20-70 °م ...	درجة حرارة التخزين
2000 متر	المد الأقصى لارتفاع الاستخدام فوق الارتفاع المرجعي
90 %	المد الأقصى للرطوبة للجوية النسبية
2 ^(D)	درجة الاتساخ تبعاً للمعيار IEC 61010-1
2	فئة الليزر
> 1 مللي واط، 630-650 نانومتر	طراز الليزر
1	C ₆
	التفاوت
1,5 مللي راد	- خط الليزر
1,5 مللي راد	- نقطة التعامد
موجة مستمرة (CW)	التشغيل دون وضع المستقبل
0,05 مللي ثانية	أقصر مدة نبضة (التشغيل في وضع الاستقبال)

العمل مع المنصة الدوارة (انظر الصورة A)

يمكن عن طريق المنصة الدوارة (12) إدارة عدة القياس بزوايا 360 درجة حول نقطة تعامد مركزية مرتبة دائما. وبذلك يمكن ضبط خطوط الليزر بدقة دون تغيير موضع عدة القياس.

ضع عدة القياس على المنصة الدوارة (12) بحيث تدخل جزوز التثبيت (13) الخاصة بالمنصة الدوارة بين جزوز التثبيت المقابلة (6) على الجانب السفلي من أداة القياس. أدر عدة القياس في اتجاه عقارب الساعة لتثبيتها على المنصة الدوارة.

قم بفك أرجل المنصة الدوارة (12) مع لولب ضبط الارتفاع (10).

قم بضبط استواء المنصة الدوارة بشكل تقريبي باستخدام ميزان الماء (8).

إذا كانت عدة القياس مركبة على المنصة الدوارة (12) يمكنك محاذاة خطوط الليزر الرأسية على النقاط المرجعية بالضبط باستخدام لولب الضبط الدقيق (11).

التشغيل

بدء التشغيل

◀ **قم بحماية عدة القياس من الرطوبة وأشعة الشمس المباشرة.**

◀ **لا تعرّض عدة القياس لدرجات الحرارة أو التقلبات الحرارية الشديدة.** لا تتركها لفترة

طويلة في السيارة مثلا. دع العدة الكهربائية تصل إلى درجة حرارة معتدلة وذلك في حالة التقلبات الشديدة في درجة الحرارة وافحص مدى الدقة قبل مواصلة العمل (انظر „فحص مدى دقة عدة القياس“، الصفحة 79).

قد تفل درجات الحرارة الشديدة أو التقلبات الشديدة بدرجات الحرارة بدقة عدة القياس.

◀ **تجنب الصدمات الشديدة بعدة القياس أو سقوطها على الأرض.** في حالة تعرّض عدة

القياس لتأثيرات خارجية قوية، يجب دائما إجراء فحص لمدى الدقة قبل استئناف العمل (انظر „فحص مدى دقة عدة القياس“، الصفحة 79).

◀ **اطفئ عدة القياس عندما القيام بنقلها.** يتم إقفال وحدة التراجع عند الإطفاء، فقد تتلف من خلال الحركات الشديدة.

التشغيل والإيقاف

لغرض تشغيل عدة القياس، قم بتحريك مفتاح التشغيل والإطفاء (7) إلى الوضع "On" (للمعمل مع

تشغيل القفل البندولي) أو الوضع "On" (للمعمل مع تشغيل آلية التسوية). يضيء مبدئ الحالة (16).

تُصدر عدة القياس فور التشغيل خط ليزر أفقي من فتحة الخروج الأمامية (1).

◀ **لا توجه شعاع الليزر على الأشخاص أو الحيوانات ولا توجه أنت نظرك إلى شعاع الليزر، ولا حتى عن بعد كبير.**

لغرض إطفاء عدة القياس، حرك مفتاح التشغيل والإطفاء (7) إلى الوضع "Off". ينطفئ مبدئ

الحالة (16). عند الإطفاء، يتم تأمين قفل وحدة التراجع.

◀ **لا تترك عدة القياس قيد التشغيل دون مراقبة، وأطفئ عدة القياس بعد استعمالها.** قد يتم إبهار أشخاص آخرين بشعاع الليزر.

يتم الإطفاء عند تجاوز الحد الأقصى لدرجة حرارة التشغيل المسموح بها 45 °م بهدف وقاية صمام الليزر الثنائي. تسمى عدة القياس صالحة للتشغيل بعد التبريد ويمكن إعادة تشغيلها عندئذ.

إيقاف تفعيل آلية الإطفاء

تتوقف عدة القياس تلقائيا بعد مدة تشغيل تبلغ 30 دقيقة.

لإيقاف تفعيل آلية الإيقاف الأوتوماتيكي استمر في الضغط إما على زر طريقة التشغيل الرأسي (18) أو زر طريقة التشغيل الأفقي (19) لمدة 3 ثوانٍ، بينما عدة القياس مشغلة. في حالة إيقاف فعالية آلية الإيقاف الأوتوماتيكي تومض أشعة الليزر بعد 3 ثوانٍ لوهلة قصيرة.

لتشغيل آلية الإيقاف الأوتوماتيكي، قم بإطفاء عدة القياس ثم أعد تشغيلها بعد ذلك (دون أن يكون الزر مضغوطة).

طرق التشغيل

تمتاز عدة القياس بعدة طرق للتشغيل، ويمكن الانتقال من طريقة إلى أخرى في أي وقت. يمكن تشغيل طريقة التشغيل الأفقي والرأسي وإطفاءها دون ارتباط ببعضهم. توجد عدة القياس بطريقة التشغيل بالخطوط الأفقية عند تشغيلها.

يمكن اختيار جميع أنواع التشغيل مع آلية التسوية أو مع القفل البندولي.

طريقة التشغيل الأفقي (انظر الصورة B)

في طريقة التشغيل الأفقي تُصدر عدة القياس خط ليزر أفقي إلى الأمام.

لإطفاء خط الليزر الأفقي أو تشغيله اضغط على زر طريقة التشغيل الأفقي (19).

طريقة التشغيل الرأسي ونقطة التعامد (انظر الصورة C-E)

تضم عدة القياس عدة طرق تشغيل رأسي:

- خط ليزر عمودي إلى أعلى،
- خط ليزر عمودي إلى الأمام وإلى جهة اليمين،
- خط ليزر عمودي إلى الأمام وإلى الخلف،
- خط ليزر عمودي إلى الجهات الأربعة كلها.

بالإضافة إلى ذلك يتم في طريقة التشغيل الرأسي دائما إسقاط نقطة تعامد إلى أسفل.

لتشغيل الطريقة الرأسية أو إيقافها ولتغيير طريقة التشغيل الرأسية، كرر الضغط على زر طريقة التشغيل الرأسية (18) إلى أن يتم الوصول إلى طريقة التشغيل المرغوبة.

طريقة المستقبل

للمعمل باستخدام مستقبل الليزر (22)، يجب - تبعاً لنوع التشغيل المختار - تفعيل طريقة المستقبل.

في طريقة المستقبل، تومض خطوط الليزر بإيقاع مرتفع للغاية، وبذلك يمكن اكتشافها من قبل مستقبل الليزر (22).

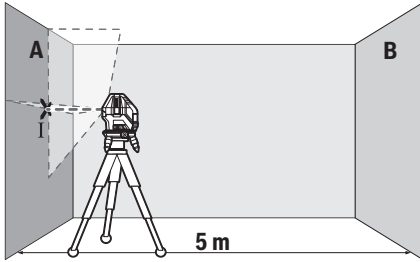
فحص دقة ضبط الاستواء عند كل مرة تبدأ فيها بالعمل.

تفحص دائما دقة الارتفاع ودقة التسوية بخط الليزر الأفقي أولاً ثم دقة التسوية بخط الليزر العمودي. احرص على تصليح عدة القياس لدى مركز خدمة العملاء بشركة **Bosch** في حالة تجاوزها للتفاوت الأقصى أثناء إحدى عمليات الفحص.

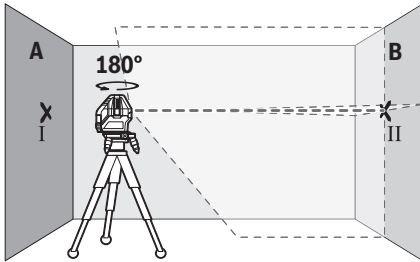
افحص دقة ارتفاع الخط الأفقي

لكي يتم الفحص، فإنك بحاجة إلى مسافة قياس خالية على أرضية ثابتة بعدد يبلغ حوالي 5 م بين الجدارين A و B.

- قم بتركيب عدة القياس بالقرب من الحائط A على المنصة الدوارة (12) أو الحامل ثلاثي القوائم (28) أو وضعها على أرضية ثابتة ومستوية. قم بتشغيل عدة القياس في طريقة التشغيل مع آلية التسوية. قم بتشغيل طريقة التشغيل الأفقي وطريقة التشغيل الرأسي مع خط ليزر عمودي إلى الامام.



- قم بتوجيه الليزر إلى الجدار القريب A ودع عدة القياس ليتم ضبط استوائها. قم بتمييز منتصف النقطة التي تتعاقد فيها خطوط الليزر على الجدار (النقطة I).



- أدر عدة القياس بمقدار 180° درجة، ودعها تقوم بضبط الاستواء بنفسها وقم بتمييز منتصف نقطة تقاطع خطي الليزر على الجدار المقابل B (النقطة II).

- ضع عدة القياس - دون إدارتها - بالقرب من الحائط B، وقم بتشغيلها، ودعها تقوم بضبط الاستواء ذاتياً.

لتشغيل وضع المستقبل، اضغط على زر وضع المستقبل (17). يضيء مؤشر وضع الاستقبال (15) باللون الأحمر.

تقل إمكانية رؤية خطوط الليزر بالعين المجردة عند تشغيل طريقة المستقبل. للعمل دون مستقبل لليزر، قم بإيقاف طريقة المستقبل عن طريق الضغط مجدداً على زر طريقة المستقبل (17) مرة أخرى. ينطفئ بيان طريقة المستقبل (15).

آلية التسوية

العمل مع آلية التسوية

ضع عدة القياس على أرضية أفقية ثابتة أو قم بتثبيتها على المنصة الدوارة (12).

للعمل باستخدام آلية التسوية، حرك زر التشغيل والإطفاء (7) إلى الوضع "On".

تقوم آلية التسوية بتسوية مواضع عدم الاستواء ضمن نطاق التسوية الذاتية بمقدار $\pm 3^\circ$ بشكل أوتوماتيكي. تنتهي عملية التسوية بمجرد توقف خطوط الليزر عن الحركة.

إذا كانت آلية التسوية غير ممكنة، على سبيل المثال، نظراً لأن نطاق ووقوف عدة القياس يميل بزاوية تزيد على 3° عن الخط الأفقي، تومض خطوط الليزر بإيقاع سريع.

في هذه الحالة، أوقف عدة القياس بشكل أفقي وانتظر ضبط الاستواء الذاتي. ستنضيء أشعة الليزر بشكل مستمر فور تواجدها عدة القياس ضمن مجال التسوية الذاتية البالغ $\pm 3^\circ$.

في حالة الاهتزازات أو تغيير المواقع أثناء التشغيل، يتم ضبط استواء عدة القياس أوتوماتيكياً مرة أخرى. افحص مركز أشعة الليزر بعد إعادة التسوية بالنسبة إلى النقط المرجعية بهدف تجنب الأخطاء الناتجة عن إزاحة عدة القياس.

العمل مع تشغيل القفل البندولي

للعمل مع تشغيل القفل البندولي، حرك زر التشغيل والإطفاء (7) إلى الوضع "On". يضيء مبین القفل البندولي (14) باللون الأحمر، وتومض خطوط الليزر باستمرار وبسرعة بطيئة.

عند العمل مع تشغيل القفل البندولي تكون آلية التسوية متوقفة. يمكنك مسك عدة القياس في يدك بشكل حر أو وضعها بشكل رأسي على قاعدة مائلة. لن يتم ضبط استواء أشعة الليزر، ولن تكون متعامدة بالضرورة على بعضها البعض.

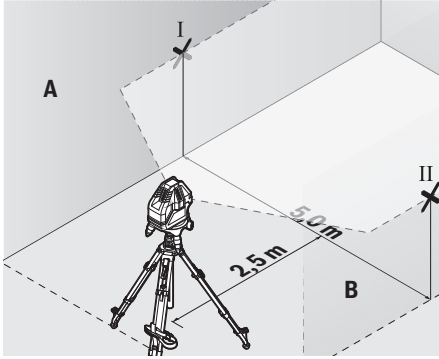
فحص مدى دقة عدة القياس

عوامل مؤثرة على الدقة

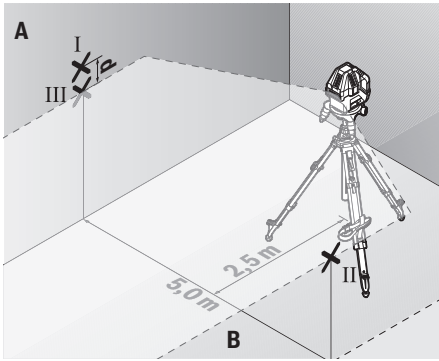
تشكل درجة الحرارة المحيطة التأثير الأكبر على الدقة. وقد تؤدي تقلبات درجات الحرارة السارية من الأرض نحو الأعلى إلى انعكاس شعاع الليزر.

لتقليل التأثيرات الحرارية من خلال الحرارة المنبعثة من الأرض يُنصح باستخدام عدة القياس على حامل ثلاثي. كما يفضل وضع عدة القياس بمنتصف سطح العمل إن أمكن ذلك.

بالإضافة إلى التأثيرات الخارجية، يمكن أن تؤدي التأثيرات الخاصة بالجهاز (مثل السقوط أو الصدمات العنيفة) إلى حدوث تفاوتات. لذلك احرص دائماً على



– قم بتمييز منتصف خط الليزر على بعد 2,5 م من عدة القياس على كلا الجدارين (النقطة I على الجدار A والنقطة II على الجدار B).

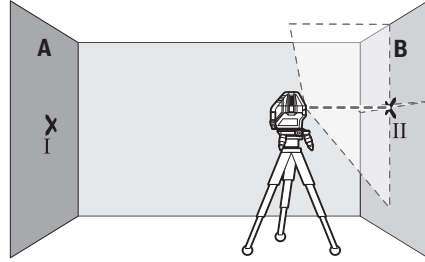


– ضع عدة القياس بعد تدويرها بمقدار 180° على بعد 5 أمتار واتركها تقوم بالتسوية.
– ابدأ بتسوية ارتفاع عدة القياس (بواسطة الحامل الثلاثي القوائم أو من خلال وضع شيء ما تمتها عند الضرورة) بحيث يصيب منتصف خط الليزر بدقة النقطة II التي سبق تمييزها على الجدار B.
– قم بتمييز منتصف خط الليزر كنقطة III على الجدار A (فوق أو تحت النقطة I عمودياً).
– يشكل الفرق d بين النقطتين I و III المعلمتين على الجدار A تفاوت حقيقياً بعدة القياس من الوضع الأفقي.

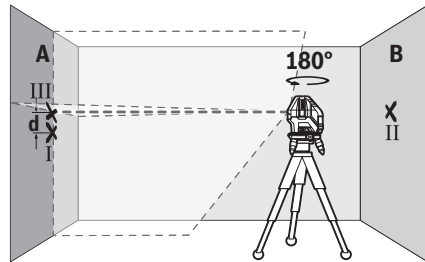
في مسافة القياس $2 \times 5 \text{ م} = 10 \text{ م}$ يبلغ التفاوت الأقصى المسموح به:
 $10 \text{ م} \times 0,2 \pm \text{م/م} = 2 \pm \text{م.م}$. وبالتالي يجب أن يكون الفرق d بين النقطتين I و III حوالي 2 مم على أقصى تقدير.

تفحص دقة التسوية بالخط العامودي

لكي يتم الفحص، ستحتاج لفتحة باب بعد أدنى 2,5 م (على أرضية ثابتة) على كل جانب من جوانب الباب.
– أوقف عدة القياس على مسافة 2,5 متر من فتحة الباب على أرضية ثابتة ومستوية (ليس على المنصة الدوارة (12) أو الحامل ثلاثي القوائم). قم بتشغيل عدة القياس في طريقة التشغيل مع آلية التسوية. قم بتشغيل طريقة التشغيل الرأسية مع



– قم بتوجيه ارتفاع عدة القياس (بواسطة الحامل ثلاثي القوائم أو من خلال وضع شيء ما تمتها عند الضرورة) بحيث تصيب نقطة تقاطع خطي الليزر بدقة النقطة II التي سبق وتم تعليمها على الجدار B.



– أدر عدة القياس بمقدار 180°، دون تغيير الارتفاع. قم بتوجيهها على الجدار A بحيث يمر خط الليزر العامودي عبر النقطة I التي سبق تمييزها. دعها تقوم بالتسوية بنفسها و قم بتمييز نقطة تقاطع خطي الليزر على الجدار A (النقطة III).
– إن الفرق d بين النقطتين I و III المعلمتين على الجدار A، يشكل تفاوت الارتفاع الحقيقي بعدة القياس.

في مسافة القياس $2 \times 5 \text{ م} = 10 \text{ م}$ يبلغ التفاوت الأقصى المسموح به:
 $10 \text{ م} \times 0,2 \pm \text{م/م} = 2 \pm \text{م.م}$. وبالتالي يجب أن يكون الفرق d بين النقطتين I و III حوالي 2 مم على أقصى تقدير.

افحص دقة التسوية الخط الأفقي

للحصول، تحتاج إلى مساحة خالية تبلغ حوالي $5 \times 5 \text{ م}$.
– قم بتركيب عدة القياس بمنتصف المسافة بين الجدارين A و B على المنصة الدوارة (12) أو الحامل ثلاثي القوائم (28) أو وضعها على أرضية ثابتة ومستوية. قم بتشغيل عدة القياس في طريقة التشغيل مع آلية التسوية. قم بتشغيل طريقة التشغيل الأفقي و قم بضبط استواء عدة القياس.

إرشادات العمل

◀ استخدم دواما منتصف نقطة الليزر أو خط الليزر فقط من أجل التعليم. يتغير كبر نقطة الليزر أو عرض خط الليزر مع تغير المسافة.

العمل بواسطة لوحة تنشين الليزر

تقوم لوحة تصويب الليزر (26) بتحسين إمكانية رؤية شعاع الليزر عندما تكون الأجواء غير ملائمة والمسافات كبيرة.

يقوم السطح العاكس بلوحة تصويب الليزر (26) بتحسين إمكانية رؤية خط الليزر، ويمكن من خلال السطح الشفاف رؤية خط الليزر أيضا من الجانب الخلفي بلوحة تصويب الليزر.

العمل باستخدام الحامل ثلاثي القوائم (توابح) (انظر الصورة F)

يتيح الحامل ثلاثي القوائم أرضية قياس ثابتة يمكن ضبط ارتفاعها. لتثبيت عدة القياس على الحامل الثلاثي قم بتثبيت عدة القياس على المنصة الدوارة (12).

التركيب على الحامل ثلاثي القوائم 5/8 بوصة: ضع المنصة الدوارة مع حاضن الحامل ثلاثي القوائم 5/8 بوصة (9) على قلاووظ الحامل ثلاثي القوائم 5/8 بوصة (28) أو على حامل خاص بأعمال البناء من المتداول في الأسواق. أحكم ربط المنصة الدوارة عن طريق لولب ربط الحامل ثلاثي القوائم.

التركيب على حامل ثلاثي القوائم 1/4 بوصة (انظر الصورة F): اربط مهائئ الحامل ثلاثي القوائم (20) (توابح) في حاضن الحامل ثلاثي القوائم 5/8 بوصة (9) الخاص بالمنصة الدوارة. ضع مهائئ الحامل ثلاثي القوائم مع حاضن الحامل ثلاثي القوائم 1/4 بوصة (21) أو على حامل تصوير من المتداول في الأسواق. أحكم ربط مهائئ الحامل ثلاثي القوائم عن طريق لولب ربط الحامل ثلاثي القوائم.

باشر بتسوية المنصب الثلاثي القوائم بشكل غير دقيق قبل أن تشغل عدة القياس.

العمل باستخدام مستقبل الليزر (توابح)

استخدم مستقبل الليزر (22) إن كانت حالات الإضاءة غير ملائمة (محيط فاتح، أشعة شمس مباشرة) وعلى مسافات كبيرة، لتمكين ظهور شعاع الليزر بشكل أفضل. قم بتشغيل طريقة المستقبل عند العمل باستخدام مستقبل الليزر (انظر „طريقة المستقبل“، الصفحة 78).

نظارات رؤية الليزر (التوابح)

إن نظارات رؤية الليزر تقوم بترشيح الضوء المحيط، وبذلك يبدو ضوء الليزر الأحمر أكثر سطوعا للعين.

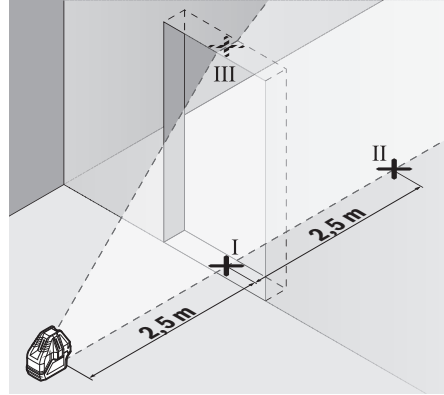
◀ لا استخدم نظارة رؤية الليزر (الملحقات)

كنظارة حماية. فنظارة رؤية الليزر تستخدم لاستقبال شعاع الليزر بشكل أفضل، إلا أنها لا تحمي من إشعاع الليزر.

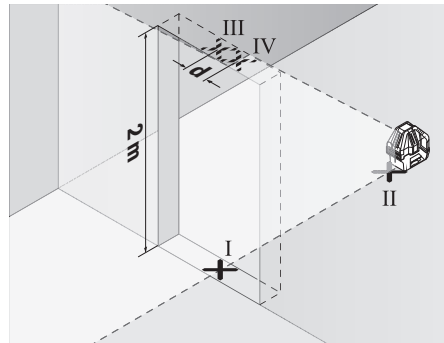
◀ لا تستخدم نظارة رؤية الليزر (توابح) كنظارة

شمس أو كنظارة للارتداء أثناء الحركة المرورية. لا تقوم نظارة رؤية الليزر بالحماية التامة من الأشعة فوق البنفسجية، كما أنها تقلل القدرة على تمييز الألوان.

خط ليزر عمودي إلى الأمام، ووجه خط الليزر إلى فتحة الباب. دع عدة القياس تقوم بضبط الاستواء ذاتيا.



– قم بتمييز منتصف خط الليزر العمودي على أرض فتحة الباب (النقطة I) وعلى بعد 5 م من الجانب الآخر من فتحة الباب (النقطة II) وأيضا على الحافة العلوية بفتحة الباب (النقطة III).



– أدر عدة القياس بمقدار 180° وضعها على الجانب الآخر من فتحة الباب مباشرة خلف النقطة II. دع عدة القياس تقوم بضبط الاستواء ذاتيا ووجه خط الليزر العمودي بحيث يمر منتصفه من النقطتين I و II بدقة.

– قم بتمييز منتصف خط الليزر على الحافة العلوية بفتحة الباب على أنه النقطة IV.

– إن الفرق d بين النقطتين III و IV المعلمتين، يشكل تفاوتاً حقيقياً بعدة القياس من الوضع الرأسي.

– يقاس ارتفاع فتحة الباب.

يمكنك حساب أقصى تفاوت كالتالي:

ضعف ارتفاع فتحة الباب $\times 0,3$ مم/م

مثال: عندما يكون ارتفاع فتحة الباب 2 م يجوز أن يكون أقصى تفاوت

$2 \times 2 \times 0,3 \pm$ مم/م $\pm 1,2$ مم. أي أنه يجوز أن

تبعد النقطتين III و IV عن بعضها بمسافة أقصاها

1,2 مم.

أمثلة شغل (انظر الصور B-E)
يعثر على أمثلة لاستخدامات عدة القياس على صفحات الرسوم التخطيطية.

الصيانة والخدمة

الصيانة والتنظيف

حافظ دائما على نظافة عدة القياس.
لا تغطس عدة القياس في الماء أو غيرها من السوائل.
امسح الأوساخ بواسطة قطعة نسيج طرية ورطبة. لا تستخدم مواد تنظيف أو مواد مذيبة.
نظف خاصة السطوح عند فتحة خروج الليزر بشكل منظم وانتبه للنسالة أثناء ذلك.
قم بتخزين عدة القياس ونقلها باستخدام الحقيبة الواقية فقط (27).
رُسل عدة القياس في حال توجب تصليحها في حقيبة الوقاية (27).

خدمة العملاء واستشارات الاستخدام

يجب مركز خدمة العملاء على الأسئلة المتعلقة بإصلاح المنتج وصيانته، بالإضافة لقطع الغيار. تجد الرسوم التفصيلية والمعلومات الخاصة بقطع الغيار في الموقع: www.bosch-pt.com
يسر فريق Bosch لاستشارات الاستخدام مساعدتك إذا كان لديك أي استفسارات بخصوص منتجاتنا وملحقاتها.
يلزم ذكر رقم الصنف ذو الخانات العشر وفقا للوحة صنع المنتج عند إرسال أية استفسارات أو طلبيات قطع غيار.

المغرب

Robert Bosch Morocco SARL
53، شارع الملازم محمد مرور
20300 الدار البيضاء
الهاتف: +212 5 29 31 43 27
البريد الإلكتروني: sav.outillage@ma.bosch.com

تجد المزيد من عناوين الخدمة تحت:
www.bosch-pt.com/serviceaddresses

التخلص من العدة الكهربائية

يجب التخلص من عدد القياس والتوايح والتغليف بطريقة محافظة على البيئة عن طريق تسليمها لمراكز النفايات القابلة لإعادة التصنيع.
لا تلق عدد القياس والبطاريات ضمن النفايات المنزلية.



فارسی

دستورات ایمنی



جهت کار کردن بی خطر و ایمن با ابزار اندازه گیری به تمام راهنماییها توجه کنید. در صورتی که ابزار اندازه گیری طبق دستورات زیر بکار برده نشود، ممکن است تجهیزات حفاظتی موجود در ابزار آسیب ببینند. برچسب های هشدار بر روی ابزار برقی را هرگز نپوشانید. این راهنماییها را خوب نگهدارید و آن را هنگام دادن ابزار اندازه گیری فراموش نکنید.

⚠ احتیاط - چنانچه سایر موارد کاربری یا تنظیمی یا روشهای دیگر غیر از مواد ذکر شده در این دفترچه به اجرا درآیند، می تواند منجر به قرار گرفتن خطرناک در معرض تابش پرتو گردد.

⚠ ابزار اندازه گیری به همراه یک برچسب هشدار لیزر ارسال میگردد (در نمایش ابزار اندازه گیری در صفحه تصاویر مشخص شده است).

⚠ چنانچه متن برچسب هشدار لیزر به زبان شما نیست، برچسب هشدار ارسال شده به همراه دستگاه به زبان کشور خود را قبل از اولین راه اندازی روی برچسب هشدار بچسبانید.

⚠ جهت پرتو لیزر نباید به طرف افراد و یا حیوانات باشد و خودتان هم مستقیماً به پرتو لیزر یا بازتاب آن نگاه نکنید. این کار ممکن است منجر به خیره شدگی افراد، بروز سانحه یا آسیب دیدگی چشم گردد.

⚠ در صورت برخورد پرتوی لیزر به چشم، چشمها را فوراً ببندید و سر را از محدوده ی پرتوی لیزر خارج کنید.

⚠ هیچ گونه تغییری در تنظیمات لیزر انجام ندهید.

⚠ از عینک دید لیزر (متعلقات) به عنوان عینک ایمنی استفاده نکنید. عینک دید لیزر برای تشخیص بهتر پرتو لیزر در نظر گرفته شده است؛ ولی محافظتی در برابر پرتو لیزر نمی کند.

⚠ از عینک دید لیزر (متعلقات) به عنوان عینک آفتابی یا هنگام رانندگی استفاده نکنید. عینک دید لیزر دارای حفاظت کامل در برابر اشعه ماوراء بنفش نیست و تشخیص رنگ را کاهش می دهد.

⚠ برای تعمیر ابزار اندازه گیری فقط به متخصصین حرفه ای رجوع کرده و از وسائل بدکی اصل استفاده کنید. به این ترتیب ایمنی ابزار اندازه گیری تضمین می شود.

⚠ اجازه ندهید کودکان بدون نظارت از ابزار اندازه گیری لیزری استفاده کنند. ممکن است ناخواسته چشم دیگران یا خودتان دچار خیرگی شود.

⚠ با ابزار اندازه گیری در محیط دارای قابلیت انفجار، دارای مایعات، گازها یا گرد و غبارهای قابل اشتعال کار نکنید. امکان تولید

جرقه هایی توسط ابزار اندازه گیری وجود دارد که می تواند منجر به اشتعال گرد و غبار و یا بخارهای موجود در هوا بشود.

ابزار اندازه گیری و متعلقات مغناطیسی را در نزدیکی ایمپلنتها و سایر دستگاههای پزشکی برای مثال



باتری قلب یا پمپ انسولین قرار ندهید. در اثر آهنربای موجود در ابزار اندازه گیری و متعلقات، میدانی به وجود میآید که ممکن است عملکرد ایمپلنتها و دستگاههای پزشکی را تحت تاثیر قرار دهد.

⚠ ابزارهای اندازه گیری و متعلقات مغناطیسی را از ذخیره سازهای مغناطیسی و دستگاههای حساس به مغناطیس دور نگهدارید. تاثیرات مغناطیسی ابزارهای اندازه گیری و متعلقات ممکن است منجر به از بین رفتن غیر قابل بازگشت اطلاعات شود.

توضیحات محصول و کارکرد

به تصویرهای واقع در بخشهای اول دفترچه راهنما توجه کنید.

موارد استفاده از دستگاه

ابزار اندازه گیری برای برداشتن اندازه ها و کنترل خطوط افقی و عمودی و نیز نقاط شاغول در نظر گرفته شده است.

استفاده از ابزار اندازه گیری برای محیط داخلی مناسب است.

این محصول براساس استاندارد EN 50689 یک محصول لیزری مخصوص مصرف کننده عادی است.

اجزاء دستگاه

شماره های اجزاء دستگاه که در تصویر مشاهده میشود، مربوط به شرح ابزار اندازه گیری می باشد که تصویر آن در این دفترچه راهنما آمده است.

- (1) منفذ خروجی پرتو لیزر
- (2) قفل درپوش محفظه باتری
- (3) درپوش محفظه باتری
- (4) شماره سری
- (5) برچسب هشدار لیزر
- (6) شماره های اتصال ابزار اندازه گیری
- (7) کلید روشن/خاموش
- (8) تراز صفحه گردان
- (9) محل اتصال سه پایه 5/8" صفحه گردان
- (10) پیچ تنظیم ارتفاع صفحه گردان
- (11) پیچ تنظیم دقیق صفحه گردان
- (12) صفحه گردان
- (13) شماره های اتصال صفحه گردان
- (14) نشانگر قفل پاندولی
- (15) نشانگر حالت دریافت کننده
- (16) نشانگر وضعیت

لیزر خطی GLL 5-50 X	
موج پیوسته (CW)	عملکرد بدون حالت دریافت کننده
0,05 ms	کوتاه ترین زمان ضربه (عملکرد در حالت دریافت کننده)
10 kHz	فرکانس پالس (عملکرد در حالت دریافت کننده)
5/8"	محل اتصال سه پایه ^(E)
4 × 1,5 V LR6 (AA)	باتری های معمولی
	مدت عملکرد حدود ^(B)
24 h	- با 1 خط لیزر
14 h	- با 2 خط لیزر
10 h	- با 3 خط لیزر
6 h	- با 5 خط لیزر
0,54 kg	وزن مطابق استاندارد EPTA-Procedure 01:2014

ابعاد (طول × عرض × ارتفاع)

122 × 83 × 129 mm	- بدون صفحه گردان
قطر 151 × 203 mm	- با صفحه گردان
IP54 (ضد گرد و غبار و مصون در برابر پاشش آب)	نوع حفاظت (به جز محفظه باتری)

(A) محدوده کاری ممکن است با شرایط نامناسب محیط (تابش مستقیم خورشید) کاهش یابد.

(B) در 20-25 °C

(C) مقادیر داده شده در شرایط محیطی معمولی تا مطلوب در نظر گرفته می شوند (برای مثال بدون لرزش، بدون مه، بدون دود، بدون تابش مستقیم آفتاب). نوسانات شدید دمایی ممکن است منجر به کاهش میزان دقت گردد.

(D) زیرنویس: تنها آلودگی بدون قابلیت هادی شدن دیده می شود که با پیشبینی وجود شبنم به طور موقت، قابلیت هادی شدن انتظار میرود.

(E) فقط در ترکیب با صفحه گردان موجود است برای شناسایی ابزار اندازه گیری از شماره ی فنی (4) روی برجس کالا استفاده نمایند.

نصب

قراردادن/تعویض باتری

برای کار ابزار اندازه گیری استفاده از باتریهای آلکالین-منیزیم توصیه می شود.

جهت باز کردن درپوش محفظه باتری (3) قفل کننده (2) را بفشارید و درپوش را بردارید. باتری ها را قرار دهید.

در این حین به نحوه ی صحیح قطبگذاری بر طبق تصویر روی قسمت داخلی درپوش باتری توجه کنید. چنانچه نشانگر وضعیت (16) چشمک بزند، باید باتری ها را عوض کنید.

همواره همه ی باتری ها را همزمان عوض کنید. تنها از باتری های یک شرکت و با ظرفیت یکسان استفاده نمایید.

(17) دکمه حالت دریافت کننده

(18) دکمه عملکرد عمودی

(19) دکمه عملکرد افقی

(20) آدپتور سه پایه^(a)

(21) سه پایه "1/4"^(a)

(22) دریافت کننده لیزر^(a)

(23) آهنربا^(a)

(24) نگهدارنده دریافت کننده لیزر^(a)

(25) عینک دید لیزر^(a)

(26) صفحه هدف لیزر^(a)

(27) کیف محافظ

(28) سه پایه "5/8"^(a)

(29) میله تلسکوپ^(a)

(a) کلیه متعلقاتی که در تصویر و یا در متن آمده است، بطور معمول همراه دستگاه ارائه نمیشود. لیست کامل متعلقات را در برنامه متعلقات ما می یابید.

مشخصات فنی

لیزر خطی GLL 5-50 X	
3 601 K63 F..	شماره فنی
	محدوده کاری ^(A)
15 m	- خطوط لیزر استاندارد
10 m	- خطوط لیزر با حالت دریافت کننده
5-50 m	- خطوط لیزر با دریافت کننده لیزر
5 m	- نقطه شاقول
	دقت تراز ^(B)
±0,2 mm/m	- خط لیزر افقی
±0,3 mm/m	- خطوط لیزر عمودی
±0,7 mm/m	- نقطه شاقول
±3°	محدوده خود تراز شونددگی
< 4 s	زمان تراز کردن
-10 °C ... +45 °C	دمای کاری
-20 °C ... +70 °C	دمای نگهداری در انبار
2000 m	حداکثر ارتفاع کاربری روی ارتفاع مرجع
% 90	حداکثر رطوبت نسبی هوا
^(D) 2	درجه آلودگی مطابق استاندارد IEC 61010-1
2	کلاس لیزر
< 1 mW, 630-650 nm	نوع لیزر
1	C _e
	انحراف
1,5 mrad	- خط لیزر
1,5 mrad	- نقطه شاقول

نحوه روشن و خاموش کردن

جهت روشن کردن ابزار اندازه گیری، کلید روشن/خاموش (7) را در موقعیت "On" (برای کار با قفل پاندولی) یا در موقعیت "On" (برای کار با تراز اتوماتیک) قرار دهید. نشانگر وضعیت (16) روشن می شود. ابزار اندازه گیری بلافاصله پس از روشن شدن، یک خط لیزر افقی از منفذ خروجی جلو (1) ارسال می کند.

جهت پرتو لیزر را به طرف اشخاص و یا حیوانات نگه دارید و خودتان هم مستقیماً به پرتو لیزر نگاه نکنید، حتی از فاصله دور.

جهت خاموش کردن ابزار اندازه گیری، کلید روشن/خاموش (7) را در موقعیت "Off" برانید. نشانگر وضعیت (16) روشن می شود. هنگام خاموش کردن، واحد پاندولی قفل می شود.

ابزار اندازه گیری روشن شده را بدون نظارت رها نکنید و آن را پس از کاربری خاموش نمایید. امکان آسیب دیدن چشم اشخاص دیگر وجود دارد.

در صورت تجاوز از بیشترین دمای مجاز کاری به مقدار 45°C دستگاه جهت حفاظت از دیود لیزر خاموش می شود. پس از خنک شدن، ابزار اندازه گیری مجدداً آماده کار می باشد.

نحوه خاموش کردن (غیر فعال ساختن) قطع اتوماتیک

ابزار اندازه گیری پس از 30 دقیقه کارکرد، به طور اتوماتیک خاموش می شود.

جهت غیر فعال نمودن قطع اتوماتیک، هنگام روشن کردن ابزار اندازه گیری، دکمه عملکرد عمودی (18) یا دکمه عملکرد افقی (19) را برای 3 s فشرده نگه دارید. در صورت غیر فعال بودن قطع اتوماتیک، پرتوهای لیزر پس از 3 s برای مدت کوتاهی چشمک می زنند.

جهت فعال نمودن قطع اتوماتیک، ابزار اندازه گیری را خاموش و دوباره روشن کنید (بدون فشرده نگه داشتن دکمه).

انواع عملکرد

ابزار اندازه گیری دارای چندین نوع عملکرد می باشد که می توانید هر زمان بین آنها جابجا شوید. عملکرد افقی و عمودی را می توان مستقل از هم روشن و خاموش کرد. ابزار اندازه گیری پس از روشن شدن، در عملکرد افقی قرار می گیرد.

تمام عملکردها را می توان هم با تراز اتوماتیک و هم با قفل پاندولی انتخاب نمود.

عملکرد افقی (رجوع کنید به تصویر B)

ابزار اندازه گیری در عملکرد افقی، خط لیزر افقی به سمت جلو ارسال می کند.

جهت خاموش و روشن کردن خط لیزر افقی، دکمه عملکرد افقی (19) را فشار دهید.

در صورت عدم استفاده طولانی مدت از ابزار اندازه گیری، باتریها را بیرون آورید. در صورت نگهداری طولانی مدت باتریها در ابزار اندازه گیری ممکن است باتریها فرسوده و خود به خود خالی شوند.

نحوه کار با صفحه گردان (رجوع کنید به تصویر A)

به کمک نگهدارنده صفحه چرخان (12) می توان اندازه گیری را به اندازه 360° حول یک نقطه شاغول مرکزی واضح چرخاند. اینگونه می توان خطوط لیزر را بدون تغییر حالت ابزار اندازه گیری کاملاً دقیق تنظیم کرد.

ابزار اندازه گیری را طوری روی صفحه گردان (12) قرار دهید که شیارهای اتصال (13) صفحه گردان، بین شیارهای اتصال مربوطه (6) روی صفحه زیرین ابزار اندازه گیری منطبق شود. ابزار اندازه گیری را در جهت عقربه های ساعت بچرخانید تا روی صفحه گردان قفل شود.

پایه های صفحه گردان (12) را با پیچ های تنظیم ارتفاع (10) به بیرون بپیچانید.

صفحه گردان را به صورت تقریبی به کمک تراز (8) بالانس کنید.

در صورتی که ابزار اندازه گیری روی صفحه گردان (12) نصب شده باشد، می توان خطوط لیزر عمودی را با پیچ تنظیم دقیق (11) درست روی نقاط مرجع تنظیم کرد.

طرز کار با دستگاه

راه اندازی و نحوه کاربرد دستگاه

ابزار اندازه گیری را در برابر رطوبت و تابش مستقیم نور خورشید محفوظ بدارید.

ابزار اندازه گیری را در معرض دمای بسیار بالا یا نوسانات دما قرار ندهید. به عنوان مثال ابزار اندازه گیری را برای مدت طولانی در ماشین قرار ندهید. اجازه دهید تا ابزار اندازه گیری در نوسانات شدید دمایی ابتدا خنک شود و همیشه قبل از ادامه کار یک بررسی دقیق انجام دهید (رجوع کنید به «کنترل دقت ابزار اندازه گیری»، صفحه 86).

در دماهای شدید یا نوسانات دمایی ممکن است دقت ابزار اندازه گیری تحت تأثیر قرار بگیرد.

از تکان دادن شدید و افتادن ابزار اندازه گیری جلوگیری کنید.

در صورت بروز تغییرات قابل مشاهده روی ابزار اندازه گیری بایستی قبل از ادامه ی کار همواره یک کنترل دقت انجام دهید (رجوع کنید به «کنترل دقت ابزار اندازه گیری»، صفحه 86).

ابزار اندازه گیری را هنگام حمل و نقل خاموش کنید.

با خاموش کردن ابزار اندازه گیری، واحد اندازه گیری تراز قفل می شود، در غیر اینصورت امکان آسیب دیدگی آن به هنگام حرکت های شدید وجود دارد.

کار با قفل پاندولی

جهت کار با قفل پاندولی، کلید روشن/خاموش (7) را در موقعیت "On" برانید. نشانگر قفل پاندولی (14) به رنگ قرمز روشن می شود و خطوط لیزر به صورت ممتد و با سرعت آهسته چشمک می زند.

هنگام کار با قفل پاندولی، تراز اتوماتیک غیر فعال می شود. شما می توانید ابزار اندازه گیری را آزادانه در دست نگه دارید یا روی یک کفی مناسب قرار دهید. پرتوهای لیزر دیگر تراز نمی شوند و نسبت به یکدیگر بطور عمود قرار نمی گیرند.

کنترل دقت ابزار اندازه گیری

عوامل تاثیر گذارنده در دقت عمل

بیشترین تاثیر را دمای محیط کار دارد. بخصوص اختلاف دمای جاری به طرف بالا می تواند پرتو لیزر را منحرف کند.

برای به حداقل رساندن تأثیرات دمایی ناشی از گرمای کف زمین، توصیه می شود که از ابزار اندازه گیری روی یک سه پایه استفاده گردد. همچنین در صورت امکان، ابزار اندازه گیری را در وسط سطح کار قرار دهید.

در کنار تأثیرات بیرونی، تأثیرات مربوط به دستگاه (مانند افتادن، یا تکانهای شدید) می توانند باعث بروز خطا شوند. به همین منظور قبل از هر شروع کار، دقت تراز را کنترل کنید.

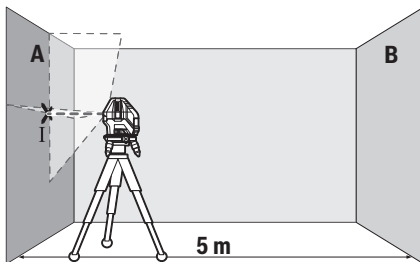
همواره در ابتدا دقت ارتفاع و تراز خط لیزر افقی و بعد دقت تراز خط لیزر عمودی را کنترل کنید.

چنانچه میزان خطای ابزار اندازه گیری در طی یکی از آزمایش ها از حداکثر میزان خطا (اختلاف) فراتر رود، آنگاه باید ابزار اندازه گیری را توسط خدمات پس از فروش Bosch تعمیر کنید.

کنترل دقت ارتفاع خط افقی

برای کنترل نیاز به یک مسافت اندازه گیری 5 متری روی یک سطح صاف بین دو دیوار A و B دارید.

– ابزار اندازه گیری را نزدیک دیوار A روی صفحه گردان (12) یا یک سه پایه (28)، نصب کنید یا روی یک سطح ثابت و صاف قرار دهید. ابزار اندازه گیری را در حالت عملکرد با تراز اتوماتیک روشن کنید. عملکرد افقی را مانند عملکرد عمودی با خط لیزر عمودی به سمت جلو روشن کنید.



– لیزر را نزدیک دیوار A جهت گیری کنید و بگذارید ابزار اندازه گیری تراز شود. مرکز نقطه ای را که تقاطع خطوط لیزر روی دیوار ایجاد می کنند علامت گذاری کنید (نقطه A).

عملکرد عمودی و نقطه شاقول (رجوع کنید به تصاویر C-E)

ابزار اندازه گیری دارای چندین عملکرد عمودی است:

- خط لیزر عمودی به جلو،
 - خط لیزر عمودی به جلو و به سمت راست،
 - خط لیزر عمودی به جلو و عقب،
 - خطوط لیزر عمودی به تمام جهت ها.
- علاوه بر این در عملکرد عمودی، نقطه شاقول همیشه به سمت پایین قرار می گیرد. برای روشن یا خاموش کردن عملکرد عمودی یا جهت عوض کردن نوع عملکرد عمودی، دکمه عملکرد عمودی (18) را چند بار فشار دهید تا نوع عملکرد دلخواه به دست آید.

حالت دریافت کننده

جهت کار با دریافت کننده لیزر (22) بایستی بدون در نظر گرفتن نوع عملکرد-حالت دریافت کننده فعال شود.

در حالت دریافت کننده، خطوط لیزر با فرکانس بسیار بالا چشمک می زند و اینگونه برای دریافت کننده لیزر (22) قابل شناسایی هستند.

جهت روشن کردن حالت دریافت کننده، دکمه حالت دریافت کننده (17) را فشار دهید. نشانگر حالت دریافت کننده (15) به رنگ قرمز روشن می شود. برای چشم انسان، دید خطوط لیزر در حالت روشن بودن دریافت کننده کم می شود. جهت کار بدون دریافت کننده لیزر، حالت دریافت کننده را با فشردن دوباره دکمه (17) خاموش کنید. نمایشگر حالت دریافت کننده (15) محو می شود.

تراز اتوماتیک

نحوه کار با تراز اتوماتیک

ابزار اندازه گیری را روی سطح افقی، ثابت قرار دهید یا آن را روی صفحه گردان (12) تثبیت کنید. جهت کار با تراز اتوماتیک، کلید قطع و وصل (7) را به حالت "On" برانید.

تراز اتوماتیک، ناهمواری ها را در محدوده تراز شونده خودکار $\pm 3^\circ$ به صورت اتوماتیک تنظیم می کند. زمانی که خطوط لیزر دیگر حرکت نکنند، ترازبندی انجام شده است.

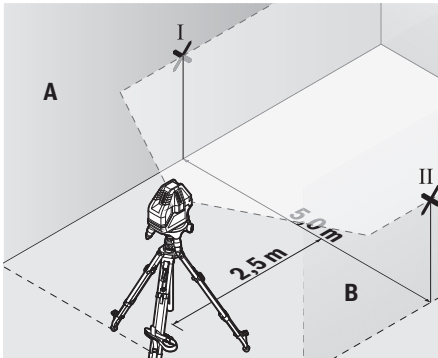
چنانچه تراز اتوماتیک امکان پذیر نباشد، برای مثال سطح قرارگیری ابزار اندازه گیری بیش از 3° با سطح افقی اختلاف داشته باشد، پرتوهای لیزر بصورت پی در پی چشمک می زنند.

در این صورت ابزار اندازه گیری را به طور افقی قرار دهید و تا تراز شدن بصورت خود تراز شونده صبر کنید. به محض اینکه ابزار اندازه گیری در محدوده خود تراز شونده به مقدار $\pm 3^\circ$ قرار گرفت، پرتوهای لیزر به صورت ممتد روشن می شوند.

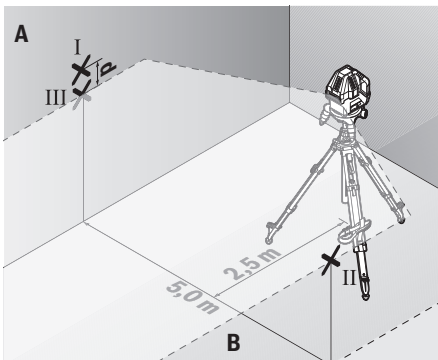
در صورت تکان خوردن یا جابجایی هنگام کار، ابزار اندازه گیری به طور اتوماتیک دوباره تراز می شود. پس از تراز شدن، وضعیت پرتوهای لیزر را در رابطه با نقاط مبدأ کنترل کنید تا از بروز خطا منتج از حرکت و نقل و انتقال ابزار اندازه گیری جلوگیری بعمل آید.

کنترل دقت تراز خط افقی

برای کنترل به یک سطح حدود 5×5 متر نیاز دارید.
 - ابزار اندازه گیری را وسط دیوارهای A و B روی صفحه گردان (12) یا یک سه پایه (28)، یا روی یک سطح ثابت و صاف قرار دهید. ابزار اندازه گیری را در حالت عملکرد با تراز اتوماتیک روشن کنید. عملکرد افقی را روشن کنید و بگذارید ابزار اندازه گیری تراز شود.

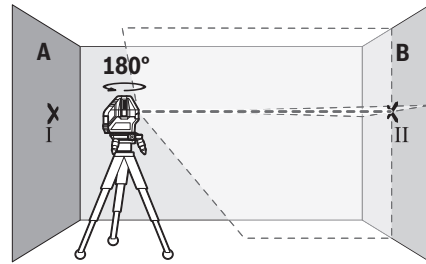


- در فاصله 2,5 متری از ابزار اندازه گیری روی هر دو دیوار، وسط خط لیزر (نقطه I روی دیوار A و نقطه II روی دیوار B) را علامتگذاری کنید.

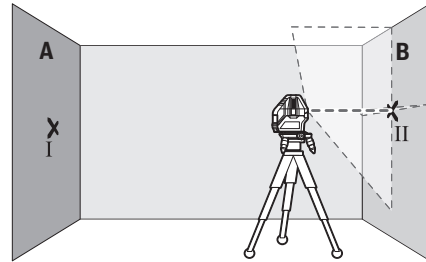


- ابزار اندازه گیری را به مقدار 180° چرخانده در فاصله 5 متری قرار دهید و بگذارید تراز شود.
 - ابزار اندازه گیری را از نظر ارتفاع طوری تنظیم کنید (به کمک یک سه پایه یا با قرار دادن چیزی زیر آن)، تا نقطه وسط خط لیزر دقیقاً روی نقطه علامتگذاری شده II قبلی روی دیوار B بیفتد.
 - روی دیوار A وسط خط لیزر را به عنوان نقطه III (عمود روی یا زیر نقطه I) علامتگذاری کنید.
 - اختلاف d هر دو نقطه علامتگذاری شده I و III روی دیوار A اختلاف ارتفاع واقعی ابزار اندازه گیری از افقی را بدست می دهد.

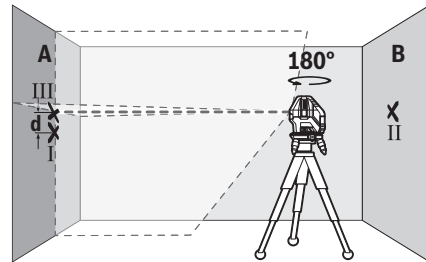
برای مسافت $10 \text{ m} = 2 \times 5 \text{ m}$ حداکثر خطای مجاز برابر است با:
 $\pm 2 \text{ mm} = 10 \text{ m} \times \pm 0,2 \text{ mm/m}$. اختلاف d بین نقطه ها I و III بایستی در نهایت 2 میلیمتر باشد.



- ابزار اندازه گیری را به مقدار 180° بچرخانید، بگذارید تراز شود و تقاطع نقاط لیزر را روی دیوار مقابل B (نقطه II) علامتگذاری کنید.
 - ابزار اندازه گیری را - بدون چرخش - نزدیک دیوار B قرار دهید، آن را روشن کنید و بگذارید تراز شود.



- ابزار اندازه گیری را از نظر ارتفاع طوری تنظیم کنید (به کمک یک سه پایه یا با قرار دادن چیزی زیر آن)، تا نقطه تقاطع خطوط لیزر دقیقاً روی نقطه علامتگذاری شده II قبلی روی دیوار B بیفتد.



- ابزار اندازه گیری را به مقدار 180° بچرخانید تا ارتفاع را تغییر دهید. آن را طوری روی دیوار A تنظیم کنید تا خط لیزر عمودی از میان نقطه علامتگذاری شده قبلی I بگذرد. بگذارید ابزار اندازه گیری تراز شود و نقطه تقاطع خطوط لیزر را روی دیوار A (نقطه III) علامتگذاری کنید.
 - اختلاف d هر دو نقطه علامتگذاری شده I و III روی دیوار A اختلاف ارتفاع واقعی ابزار اندازه گیری را بدست می دهد.

برای مسافت $10 \text{ m} = 2 \times 5 \text{ m}$ حداکثر خطای مجاز برابر است با:
 $\pm 2 \text{ mm} = 10 \text{ m} \times \pm 0,2 \text{ mm/m}$. اختلاف d بین نقطه ها I و III بایستی در نهایت 2 میلیمتر باشد.

بیشترین اختلاف مجاز را اینگونه محاسبه کنید:
 دو برابر ارتفاع ورودی درب $0,3 \text{ mm/m} \times 2$
 مثال: برای ارتفاع ورودی درب به مقدار **2** متر،
 بایستی بیشترین اختلاف
 $2 \times 2 \text{ m} \times 0,3 \text{ mm/m} = \pm 1,2 \text{ mm}$ باشد. نقاط III و
 IV نباید در نهایت بیشتر از **1,2** میلیمتر از یکدیگر قرار
 داشته باشند.

راهنماییهای عملی

◀ **همواره جهت علامتگذاری از وسط نقطه لیزر یا خط لیزر استفاده کنید.** با تغییر فاصله و مسافت، اندازه نقطه لیزر و همچنین پهنای خط لیزر نیز تغییر می یابند.

نحوه کار با صفحه هدف لیزر

صفحه لیزر هدف (26) دید پرتوی لیزر را در شرایط نامناسب و مسافتهای زیاد بهتر میکند. سطح بازتابنده صفحه هدف لیزر (26) دید خط لیزر را بهتر می کند، به وسیله سطح شفاف، می توان خط لیزر را از پشت صفحه هدف لیزر نیز تشخیص داد.

نحوه کار با سه پایه (متعلقات) (رجوع کنید به تصویر F)

یک سه پایه، کفی ثابت با قابلیت تنظیم ارتفاع را جهت اندازه گیری عرضه می کند. برای نصب ابزار اندازه گیری روی سه پایه، آن را روی صفحه گردان (12) قرار دهید.
 نصب روی سه پایه $5/8"$: صفحه گردان با محل اتصال سه پایه (9) $5/8"$ را روی رزوه سه پایه (28) $5/8"$ یا یک سه پایه رایج در بازار قرار دهید. صفحه گردان را با پیچ تثبیت سه پایه سفت کنید.

نصب روی سه پایه $1/4"$ (رجوع کنید به تصویر F):
 آداپتور سه پایه (20) (متعلقات) را در محل اتصال سه پایه (9) $5/8"$ صفحه گردان ببچانید. آداپتور سه پایه را به کمک محل اتصال سه پایه $1/4"$ روی رزوه یک سه پایه (21) $1/4"$ یا یک سه پایه عکاسی رایج در بازار قرار دهید. آداپتور سه پایه را با پیچ تثبیت سه پایه سفت کنید.

پیش از روشن کردن ابزار اندازه گیری، نخست سه پایه را بطور تقریبی تنظیم کنید.

نحوه کار با دریافت کننده لیزر (متعلقات)

در صورت نامتناسب بودن نور (محیط روشن، تابش مستقیم خورشید) و فاصله زیاد، جهت پیدا کردن بهتر خطوط لیزر از دریافت کننده لیزر (22) استفاده کنید. هنگام کار با دریافت کننده لیزر (رجوع کنید به "حالت دریافت کننده"، صفحه 86) را روشن کنید.

عینک لیزر (متعلقات)

عینک مخصوص دید پرتو لیزر نور موجود در محیط را فیلتر می کند. از این طریق پرتو لیزر برای چشمها واضح تر می گردد.

از عینک دید لیزر (متعلقات) به عنوان عینک ایمنی استفاده نکنید.

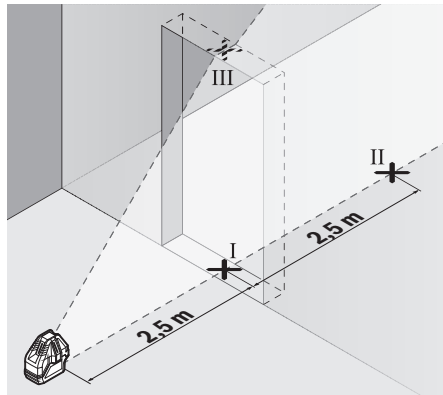
عینک دید لیزر برای تشخیص بهتر پرتو لیزر در نظر گرفته شده است؛ ولی محافظتی در برابر پرتو لیزر نمی کند.

از عینک دید لیزر (متعلقات) به عنوان عینک آفتابی یا هنگام رانندگی استفاده نکنید.

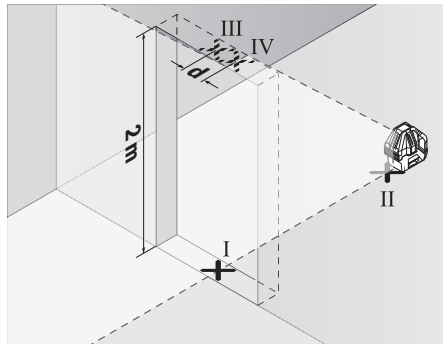
عینک دید لیزر دارای حفاظت کامل در برابر اشعه

نحوه کنترل دقت تراز خط عمودی

برای کنترل به نیاز به یک شکاف در دارید که در هر طرف آن (روی کف صاف) حداقل $2,5$ متر جا باشد
 - ابزار اندازه گیری را در فاصله $2,5$ م از دهانه درب، روی یک سطح صاف و ثابت (نه روی صفحه گردان (12) یا یک سه پایه) قرار دهید. ابزار اندازه گیری را در حالت عملکرد با تراز اتوماتیک روشن کنید. عملکرد عمودی با خط لیزر عمودی به سمت جلو را روشن کنید و خط لیزر را به سمت دهانه درب تراز کنید. بگذارید ابزار اندازه گیری تراز شود.



- خط لیزر عمودی روی زمین شکاف در (نقطه I)، در فاصله 5 متری در طرف دیگر شکاف در (نقطه II) و نیز دور بالایی شکاف در (نقطه III) علامتگذاری کنید.



- ابزار اندازه گیری را به مقدار 180° بچرخانید و آن را روی طرف دیگر شکاف در درست پشت نقطه II قرار دهید. بگذارید ابزار اندازه گیری تراز شود و خط لیزر عمودی را طوری تنظیم کنید که وسط آن از میان نقاط I و II بگذرد.

- وسط خط لیزر واقع بر دور شکاف در را به عنوان نقطه IV علامتگذاری کنید.

- اختلاف d هر دو نقطه علامتگذاری شده III و IV اختلاف واقعی ابزار اندازه گیری را نسبت به خط لیزر عمودی را بدست می دهد.

- ارتفاع شکاف در را اندازه گیری کنید.

ماوراء بنفش نیست و تشخیص رنگ را کاهش می دهد.

مثال های عملی (رجوع کنید به تصاویر B-E)
نمونه هائی در رابطه با امکانات کاربرد ابزار اندازه گیری در صفحه تصاویر قابل مشاهده اند.

مراقبت و سرویس

مراقبت، تعمیر و تمیز کردن دستگاه

ابزار اندازه گیری را همواره تمیز نگاه دارید.
ابزار اندازه گیری را در آب و یا سایر مایعات غوطه ور نکنید.

برای پاک کردن آلودگی از یک دستمال نرم و مرطوب استفاده کنید. از بکار بردن مواد شوینده و حلال خودداری کنید.

بخصوص سطوح دور روزه خروجی لیزر را بطور مرتب تمیز کنید و در این رابطه توجه داشته باشید که از دستمال بدون پُرز استفاده کنید.

نگهداری و حمل و نقل ابزار اندازه گیری باید فقط بوسیله کیف محافظ (27) انجام بگیرد.

در صورت نیاز به تعمیر، ابزار اندازه گیری را در کیف محافظ (27) ارسال کنید.

خدمات و مشاوره با مشتریان

خدمات مشتری، به سؤالات شما درباره تعمیرات، سرویس و همچنین قطعات یدکی پاسخ خواهد داد. نقشه های سه بعدی و اطلاعات مربوط به قطعات یدکی را در تارنمای زیر میبایید:

www.bosch-pt.com

گروه مشاوره به مشتریان Bosch با کمال میل به سؤالات شما درباره محصولات و متعلقات پاسخ می دهند.

برای هرگونه سؤال و یا سفارش قطعات یدکی، حتماً شماره فنی 10 رقمی کالا را مطابق برچسب روی ابزار برقی اطلاع دهید.

ایران

روبرت بوش ایران - شرکت بوش تجارت پارس
میدان ونک، خیابان شهید خدای، خیابان آفتاب
ساختمان مادیران، شماره 3، طبقه سوم.

تهران 1994834571

تلفن: 9821+ 42039000

آدرس سایر دفاتر خدماتی را در ادامه ببایید:

www.bosch-pt.com/serviceaddresses

از رده خارج کردن دستگاه

ابزار اندازه گیری، متعلقات و بسته بندی ها باید به طریق مناسب با حفظ محیط زیست از رده خارج و بازیافت شوند.

ابزارهای اندازه گیری و باتری ها را داخل
زباله دان خانگی نیندازید!

